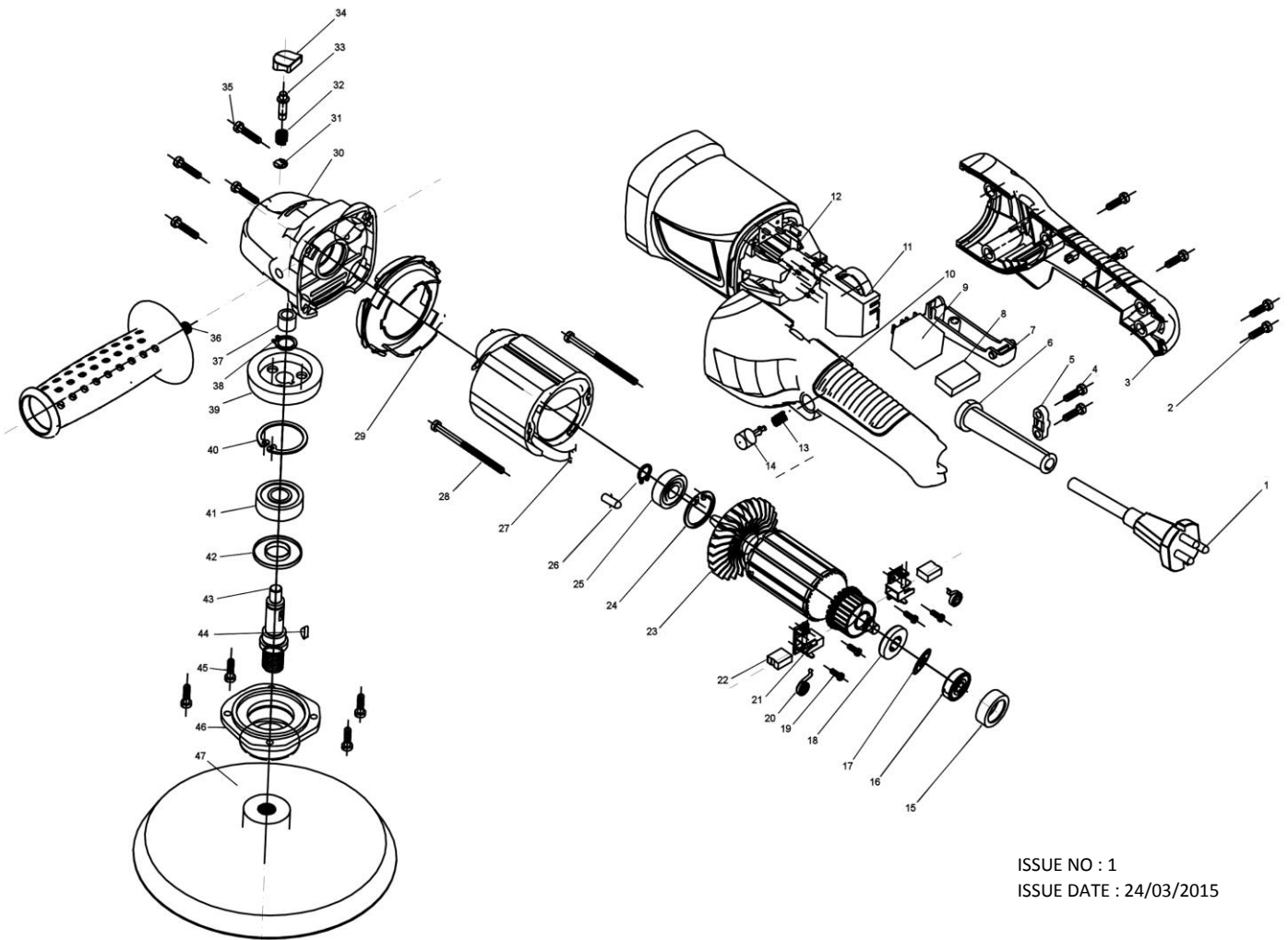




PARTS FOR :
POLISHER 150mm 800W/230V LIGHTWEIGHT
MODEL : ER1700P.V3



ISSUE NO : 1
 ISSUE DATE : 24/03/2015

ITEM	PART NO	DESCRIPTION
1	ER1700P.V3-01	POWER LEAD
2	ER1700P.V3-02	SCREW
3	ER1700P.V3-03	RIGHT HANDLE
4	ER1700P.V3-04	SCREW
5	ER1700P.V3-05	CABLE PLATE
6	ER1700P.V3-06	CABLE SLEEVE
7	ER1700P.V3-07	SWITCH LEVER
8	ER1700P.V3-08	CAPACITANCE
9	ER1700P.V3-09	SWITCH
10	ER1700P.V3-10	LEFT HANDLE
11	ER1700P.V3-11	SPEED REGULATOR
12	ER1700P.V3-12	MOTOR HOUSING
13	ER1700P.V3-13	SELF-LOCK SPRING
14	ER1700P.V3-14	SELF-LOCK BUTTON
15	ER1700P.V3-15	BEARING COVER
16	ER1700P.V3-16	BEARING 608Z
17	ER1700P.V3-17	BEARING SEAL
18	ER1700P.V3-18	MAGNET RING
19	ER1700P.V3-19	SCREW
20	ER1700P.V3-20	SPRING
21	ER1700P.V3-21	BRUSH HOLDER
22	ER1700P.V3-22	CARBON BRUSH
23	ER1700P.V3-23	ROTOR
24	ER1700P.V3-24	ELASTIC COLLAR

ITEM	PART NO	DESCRIPTION
25	ER1700P.V3-25	BEARING
26	ER1700P.V3-26	ELASTIC COLLAR
27	ER1700P.V3-27	STATOR
28	ER1700P.V3-28	SCREW
29	ER1700P.V3-29	WINDSHEILD COVER
30	ER1700P.V3-30	GEAR BOX
31	ER1700P.V3-31	SPLIT WASHER
32	ER1700P.V3-32	LOCKING PRESS BUTTON
33	ER1700P.V3-33	SELF-LOCKING PIN
34	ER1700P.V3-34	LOCK PIN SPRING
35	ER1700P.V3-35	SCREW
36	ER1700P.V3-36	SIDE HANDLE
37	ER1700P.V3-37	NEEDLE BEARING
38	ER1700P.V3-38	ELASTIC COLLAR
39	ER1700P.V3-39	BIG GEAR
40	ER1700P.V3-40	ELASTIC COLLAR
41	ER1700P.V3-41	BEARING
42	ER1700P.V3-42	ANTI-DUST COVER
43	ER1700P.V3-43	OUTPUT SHAFT
44	ER1700P.V3-44	SEMI-CIRCULAR KEY
45	ER1700P.V3-45	SCREW M5*16
46	ER1700P.V3-46	PREOPERCULUM
47	ER1700P.V3-47	POLISHING DISC



Sole UK Distributor,
 Sealey Group, Kempson Way,
 Suffolk Business Park,
 Bury St Edmunds, Suffolk, IP32 7AR

01284 757500
 01284 703534

www.sealey.co.uk
 sales@sealey.co.uk