



INSTRUCTIONS FOR

# VEHICLE MOVING DOLLY - 2 POST 900KG MAX LOAD

MODEL NO: **VMD001**

Thank you for purchasing a Sealey product. Manufactured to a high standard, this product will, if used according to these instructions, and properly maintained, give you years of trouble free performance.

**IMPORTANT:** PLEASE READ THESE INSTRUCTIONS CAREFULLY. NOTE THE SAFE OPERATIONAL REQUIREMENTS, WARNINGS & CAUTIONS. USE THE PRODUCT CORRECTLY AND WITH CARE FOR THE PURPOSE FOR WHICH IT IS INTENDED. FAILURE TO DO SO MAY CAUSE DAMAGE AND/OR PERSONAL INJURY AND WILL INVALIDATE THE WARRANTY. KEEP THESE INSTRUCTIONS SAFE FOR FUTURE USE.



Refer to instructions



Wear safety footwear

## 1. SAFETY

- ✓ Ensure the trolley is in sound condition and good working order. Take action for immediate repair or replacement of damaged parts. Use genuine parts only. The use of improper parts may be dangerous and will invalidate the warranty.
- **WARNING!** Prepare the vehicle ready for resting and moving on the trolley. Ensure the vehicle will not move, tip, fall etc once it has been seated on the trolley. Take any necessary precautions to protect persons, property and equipment when using this trolley.
- ✓ Locate the trolley in a suitable, well lit working area.
- ✓ Keep working area clean and tidy and free from unrelated materials.
- ✓ Use trolley on level and solid ground, preferably concrete. Avoid tarmac as trolley may sink in.
- ✓ Ensure the vehicle engine is switched off.
- ✓ Ensure there are no passengers in the vehicle.
- ✓ Ensure all non-essential persons keep a safe distance whilst the trolley is in use.
- ✓ Only place trolley under those lifting points recommended by vehicle manufacturer (see vehicle hand book).
- ✓ Check the lifting point is stable and correctly held in trolley supports.
- ✓ Ensure the trolley wheels are free to move and that there are no obstructions.
- ✓ Ensure you have a clear view and necessary assistance when transporting vehicle.
- ✓ Ensure there are no persons or obstructions beneath the vehicle before moving.
- ✓ When stationary, always lock the brake wheels.
- \* **DO NOT** operate the trolley if damaged.
- \* **DO NOT** allow untrained persons to operate the trolley.
- \* **DO NOT** exceed the rated capacity of the trolley.
- **WARNING! DO NOT** use the trolley to hold and move a vehicle which is unstable.
- \* **DO NOT** allow the vehicle to move on the trolley.
- \* **DO NOT** move vehicle if there is a risk of spillage of fuel, battery acid, or other dangerous substances.
- \* **DO NOT** work under the vehicle unless supported by axle stands which have been correctly positioned.
- \* **DO NOT** ride on the trolley.
- \* **DO NOT** use the trolley without appropriate supports.
- \* **DO NOT** use the trolley for purposes other than which it is intended.
- ✓ When not in use store trolley in a safe, dry, childproof area.

## 2. INTRODUCTION

Heavy-duty steel frame suitable for supporting partly dismantled or badly damaged vehicles. Enables easy movement around workshop. V-crutch supports adjustable for height and overall width. Fitted with four Ø90mm locking nylon castors.

## 3. SPECIFICATION

Model No.....	VMD001
Minimum Height .....	315mm
Maximum Height .....	495mm
Height increments.....	4X45mm
Minimum Support Width .....	350mm
Maximum Support Width .....	1450mm
Width.....	1500MM
Capacity.....	900kg

## 4. ASSEMBLY

See fig.1.

- 4.1. Slide parts (1) into sleeve (2) and bolt together using 4 bolts supplied, to make cross member.
- 4.2. Attach braked castor wheels (4) onto side supports with bolts, washers and nuts supplied.
- 4.3. Slide cross member into side supports and clamp into place using knobs (5).
- 4.4. Slide "V" crutch supports into side supports adjust to height required and lock in place using locking pin. Secure pin in place with locking fixture.

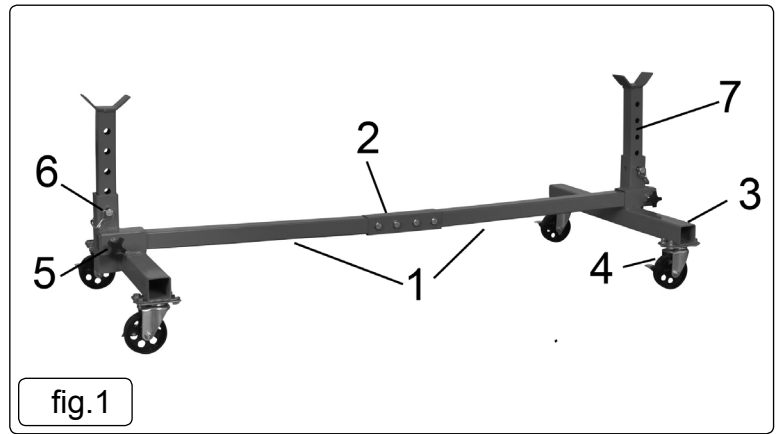


fig.1

## 5. MAINTENANCE

- 5.1. Before each use check for broken, cracked, bent, or loose parts, or any visible damage. If any suspect item is found remove trolley from service and take necessary action to remedy the problem.
  - × **DO NOT** use the trolley if believed to have been subjected to abnormal load or shock load.
- 5.2. Keep the trolley clean and periodically oil the wheel bearings.

Parts support is available for this product. To obtain a parts listing and/or diagram, please log on to [www.sealey.co.uk](http://www.sealey.co.uk), email [sales@sealey.co.uk](mailto:sales@sealey.co.uk) or telephone 01284 757500.



### Environmental Protection

Recycle unwanted materials instead of disposing of them as waste. All tools, accessories and packaging should be sorted, taken to a recycling centre and disposed of in a manner which is compatible with the environment. When the product becomes completely unserviceable and requires disposal, drain off any fluids (if applicable) into approved containers and dispose of the product and the fluids according to local regulations.

**NOTE:** It is our policy to continually improve products and as such we reserve the right to alter data, specifications and component parts without prior notice.

**IMPORTANT:** No liability is accepted for incorrect use of this product.

**WARRANTY:** Guarantee is 12 months from purchase date, proof of which will be required for any claim.



Sole UK Distributor, Sealey Group.  
Kempson Way, Suffolk Business Park,  
Bury St. Edmunds, Suffolk.  
IP32 7AR



01284 757500



01284 703534



[www.sealey.co.uk](http://www.sealey.co.uk)



[sales@sealey.co.uk](mailto:sales@sealey.co.uk)