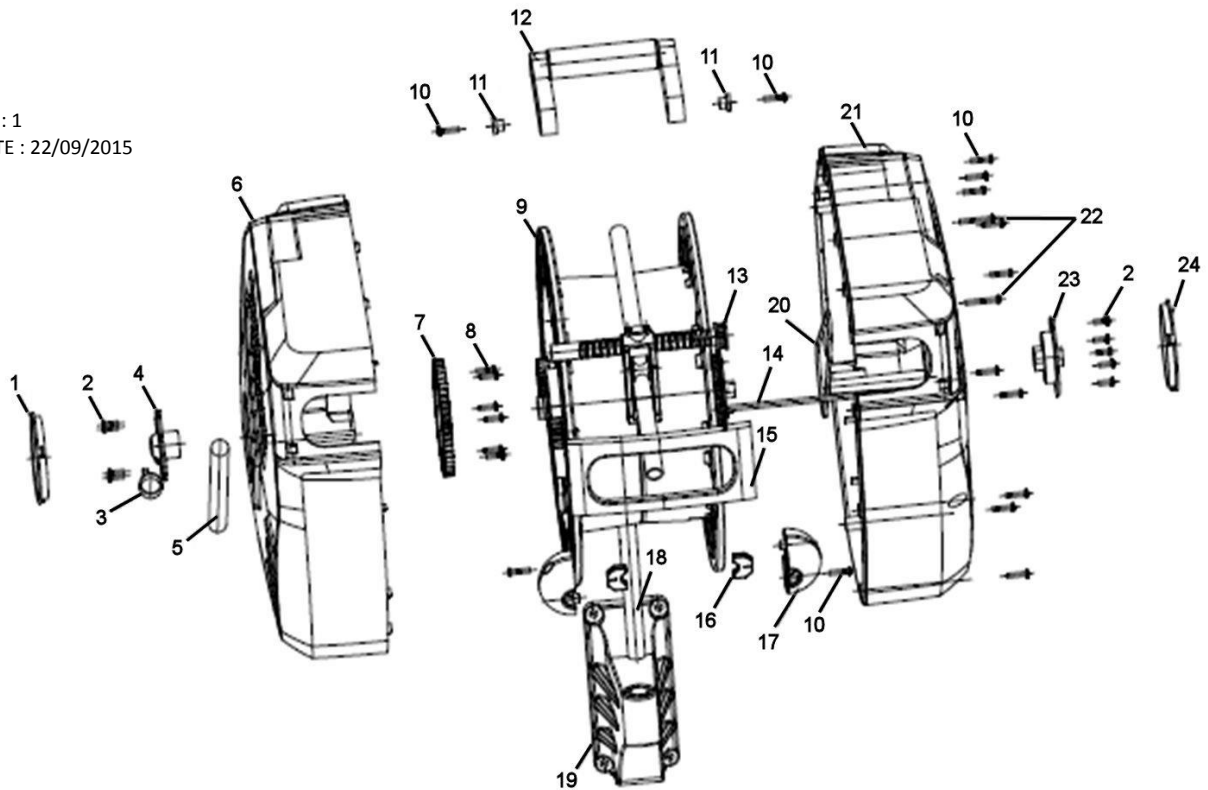
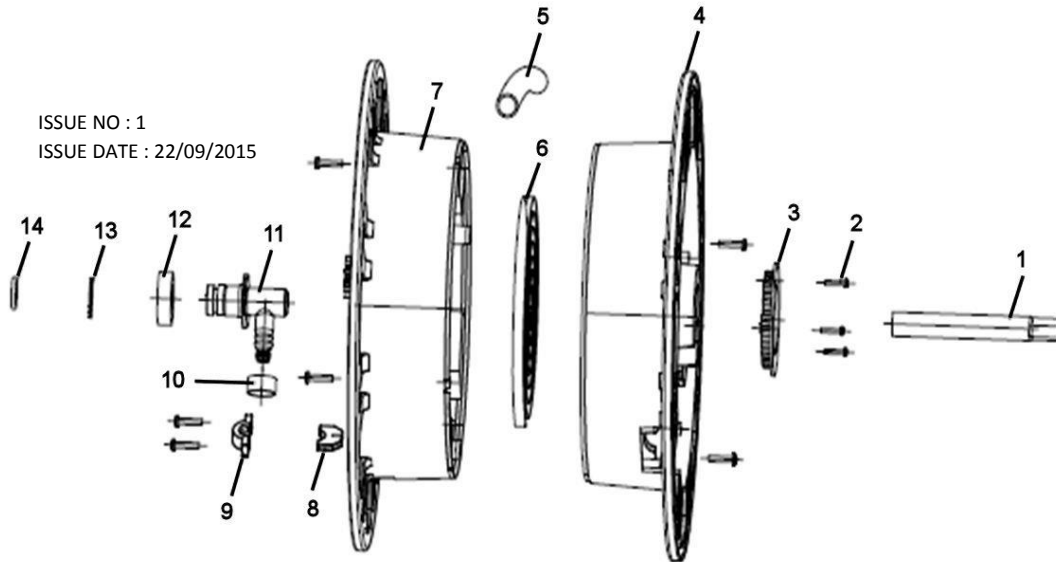


ISSUE NO : 1  
 ISSUE DATE : 22/09/2015



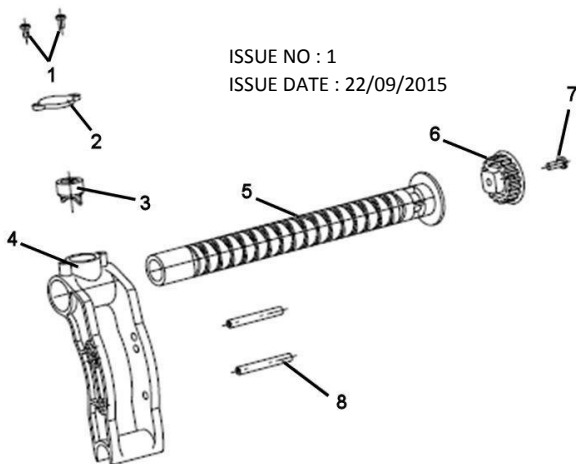
ITEM	PART NO	DESCRIPTION	ITEM	PART NO	DESCRIPTION
1	SA822.V2-01	SIDE COVER (LEFT)	14	SA822.V2-14	GUIDE PIVOT
2	SA822.V2-02	SCREW M4 X 10	15	SA822.V2-15	FRONT COVER
3	SA822.V2-03	HOSE CLIP	16	SA822.V2-16	BUSHING
4	SA822.V2-04	INLET	17	SA822.V2-17	STOP BALL
5	SA822.V2-05	INLET HOSE	18	SA822.V2-18	STAINLESS TUBE
6	SA822.V2-06	LEFT CASING ASSEMBLY	19	SA822.V2-19	MOUNTING BRACKET
7	SA822.V2-07	GEAR (BIG)	20	SA822.V2-20	BELT
8	SA822.V2-08	SCREW ST4 X 15	21	SA822.V2-21	RIGHT CASING ASSEMBLY
9	SA822.V2-09	DRUM ASSEMBLY	22	SA822.V2-22	SCREW ST4 X 30
10	SA822.V2-10	SCREW ST4 X 18	23	SA822.V2-23	PRELOAD WHEEL
11	SA822.V2-11	WASHER FOR HANDLE	24	SA822.V2-24	RIGHT SIDE COVER
12	SA822.V2-12	HANDLE	25	SA822.V2-25	SLOW RETURN ASSEMBLY
13	SA822.V2-13	HOSE GUIDE SYSTEM	26	SA822.V2-26	FREE STOP ASSEMBLY

ISSUE NO : 1  
 ISSUE DATE : 22/09/2015



ITEM	PART NO	DESCRIPTION	ITEM	PART NO	DESCRIPTION
1	SA822V2.02-01	MAIN SHAFT	8	SA822V2.02-08	BUSHING
2	SA822V2.02-02	SCREW ST4X18	9	SA822V2.02-09	HOSE SUPPORT
3	SA822V2.02-03	GEAR WHEEL (LARGE)	10	SA822V2.02-10	HOOP CLIP
4	SA822V2.02-04	DRUM	11	SA822V2.02-11	OUTLET FITTING
5	SA822V2.02-05	OUTPUT HOSE	12	SA822V2.02-12	THRUST BEARING
6	SA822V2.02-06	MAIN SPRING	13	SA822V2.02-13	SMALL SPRING
7	SA822V2.02-07	FREE STOP ASSEMBLY	14	SA822V2.02-14	SEAL RING

ISSUE NO : 1  
 ISSUE DATE : 22/09/2015

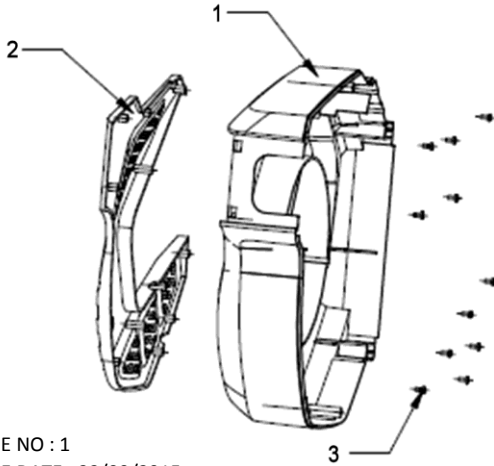


ITEM	PART NO	DESCRIPTION
1	SA822V2.03-01	SCREW ST3x6
2	SA822V2.03-02	COVERING PLATE OF INVERTING BLOCK
3	SA822V2.03-03	INVERTING BLOCK
4	SA822V2.03-04	HOSE GUIDE SEAT
5	SA822V2.03-05	THREADED TUBE
6	SA822V2.03-06	GEAR WHEEL (SMALL)
7	SA822V2.03-07	SCREW ST4x10
8	SA822V2.03-08	RIVET



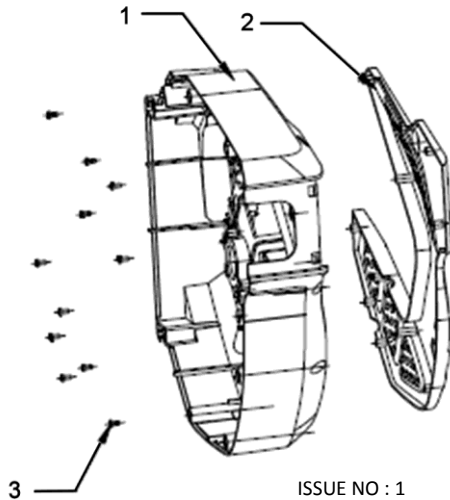
**PARTS FOR :**  
AIR HOSE REEL AUTO REWIND CONTROL 15mtr  
Ø10mm ID – RUBBER HOSE  
**MODEL: SA822.V2**

**3 OF 4**



ISSUE NO : 1  
ISSUE DATE : 22/09/2015

ITEM	PART NO	DESCRIPTION
1	SA822V2.05-01	LEFT CASING
2	SA822V2.05-02	LEFT OUTSIDE CASING
3	SA822V2.05-03	SCREW ST3X6



ISSUE NO : 1  
ISSUE DATE : 22/09/2015

ITEM	PART NO	DESCRIPTION
1	SA822V2.04-01	RIGHT CASING
2	SA822V2.04-02	RIGHT OUTSIDE CASING
3	SA822V2.04-03	SCREW ST3X6



Sole UK Distributor,  
Sealey Group, Kempson Way,  
Suffolk Business Park,  
Bury St Edmunds, Suffolk, IP32 7AR



01284 757500



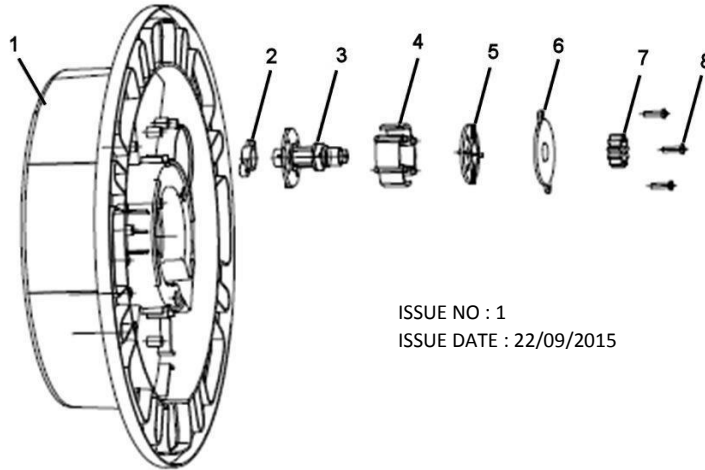
01284 703534



[www.sealey.co.uk](http://www.sealey.co.uk)

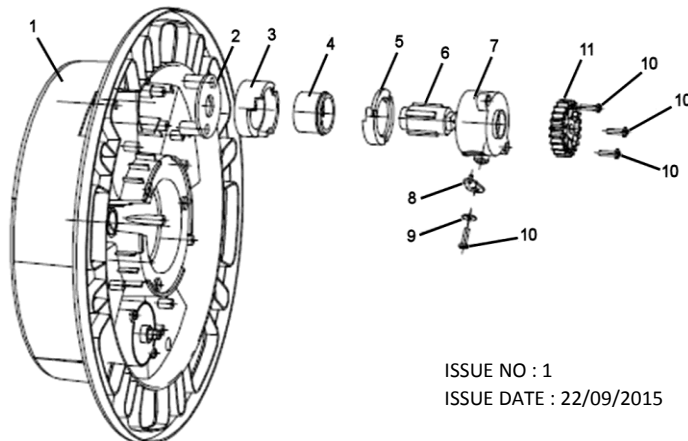


[sales@sealey.co.uk](mailto:sales@sealey.co.uk)



ISSUE NO : 1  
 ISSUE DATE : 22/09/2015

ITEM	PART NO	DESCRIPTION	ITEM	PART NO	DESCRIPTION
1	SA822V2.06-01	DRUM	5	SA822V2.06-05	FIXING PLATE
2	SA822V2.06-02	WASHER	6	SA822V2.06-06	COVER
3	SA822V2.06-03	SHAFT	7	SA822V2.06-07	SMALL GEAR WHEEL
4	SA822V2.06-04	SHAFT SUPPORT	8	SA822V2.06-08	SCREW ST4X18



ISSUE NO : 1  
 ISSUE DATE : 22/09/2015

ITEM	PART NO	DESCRIPTION	ITEM	PART NO	DESCRIPTION
1	SA822V2.07-01	DRUM	7	SA822V2.07-07	OUTER CASING
2	SA822V2.07-02	BOTTOM SUPPORT	8	SA822V2.07-08	FIXING PLATE
3	SA822V2.07-03	LOCK BODY	9	SA822V2.07-09	WASHER
4	SA822V2.07-04	LOCK CYLINDER	10	SA822V2.07-10	SCREW ST4X18
5	SA822V2.07-05	LOCK COVER	11	SA822V2.07-11	GEAR WHEEL
6	SA822V2.07-06	SHAFT			