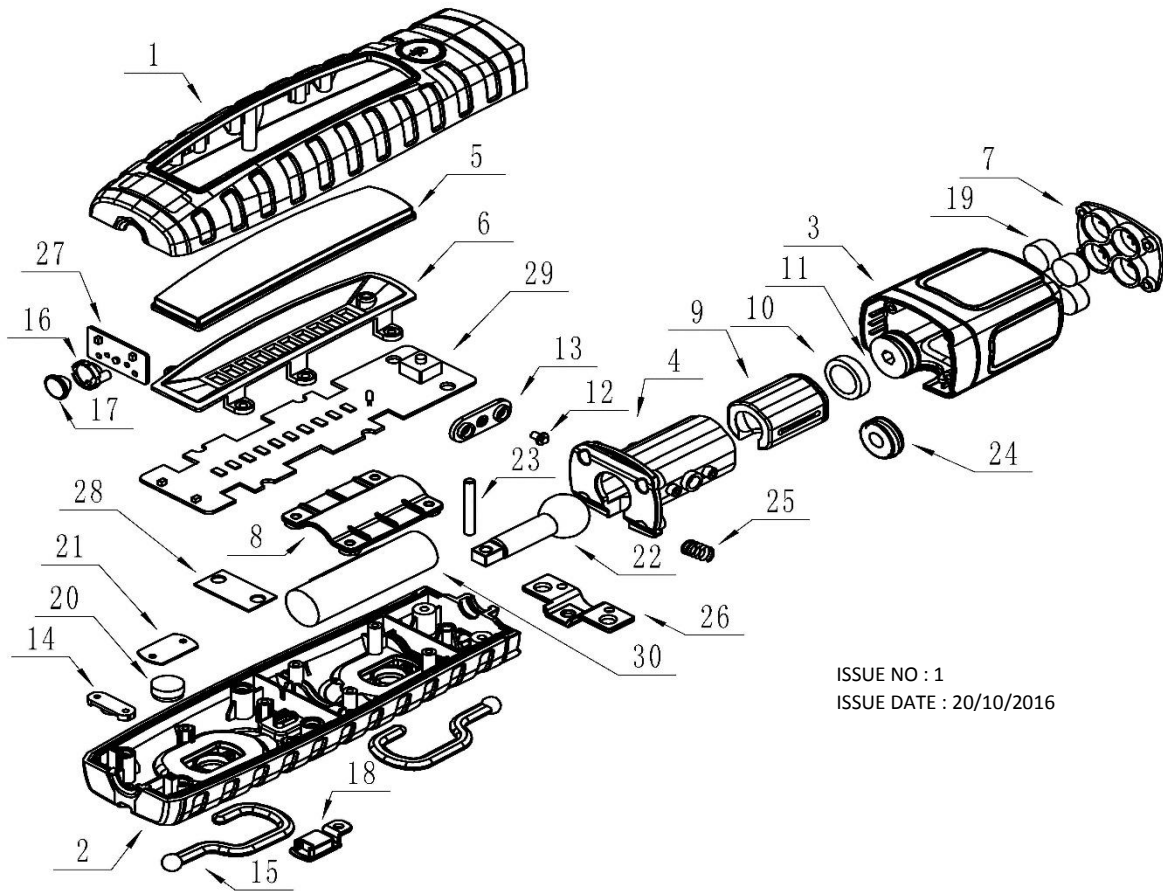


SEALEY

PARTS FOR :
RECHARGEABLE 360° INSPECTION LAMP
10 SMD LED + 3W LED BLACK LITHIUM-ION
MODELS: LED360.V3




ISSUE NO : 1
 ISSUE DATE : 20/10/2016

ITEM	PART NO	DESCRIPTION	ITEM	PART NO	DESCRIPTION
1	LED360.V3-01	FRONT HOUSING 'BLACK'	16	LED360PLUS.15	HEAD LENS SOLID BOARD
2	LED360.V3-02	BACK HOUSING 'BLACK'	17	LED360PLUS.16	HEAD LENS LENS
3	LED360PLUS.03	HANDLE	18	LED360PLUS.18	CHARGER SOCKET COVER
4	LED360PLUS.04	ROTATING SUPPORT (LARGE)	19	LED360.V2-24	BOTTOM MAGNET
5	LED360.V2-07	LENS, FRONT	20	LED360.V2-25	BACK HOUSING MAGNET
6	LED360.V2-08	PLASTIC REFLECTOR	21	LED360.V2-19	MAGNET SUPPORT
7	LED360.V2-09	BOTTOM COVER	22	LED360.V2-20	ROTATING BALL
8	LED360.V3-08	BATTERY COVER	23	LED360.V2-21	ROTATING BALL PIN
9	LED360.V2-14	ROTATING SUPPORT (UPPER)	24	LED360.V2-22	WAVE SPRING
10	LED360.V2-04	BALL SUPPORT (LOWER)	25	LED360.V2-23	SPRING
11	LED360.V2-05	BALL SUPPORT (UPPER)	26	LED360PLUS.34	PIVOT BOARD
12	LED360.V2-17	PIN	27	LED360PLUS.30	HEAD LED
13	LED360.V2-16	ROTATING SUPPORT	28	LED360.V3-28	USB CHARGING PCB
14	LED360.V2-10	HOOK SUPPORT	29	LED360.V2-27	10SMD PCB
15	LED360.V2-06	HOOK, TOP	30	LED360.V2-28	LI-ION BATTERY

SEALEY

Sole UK Distributor, Sealey Group.
 Kempson Way, Suffolk Business Park,
 Bury St. Edmunds, Suffolk.
 IP32 7AR

 01284 757500

 01284 703534

 www.sealey.co.uk

 sales@sealey.co.uk