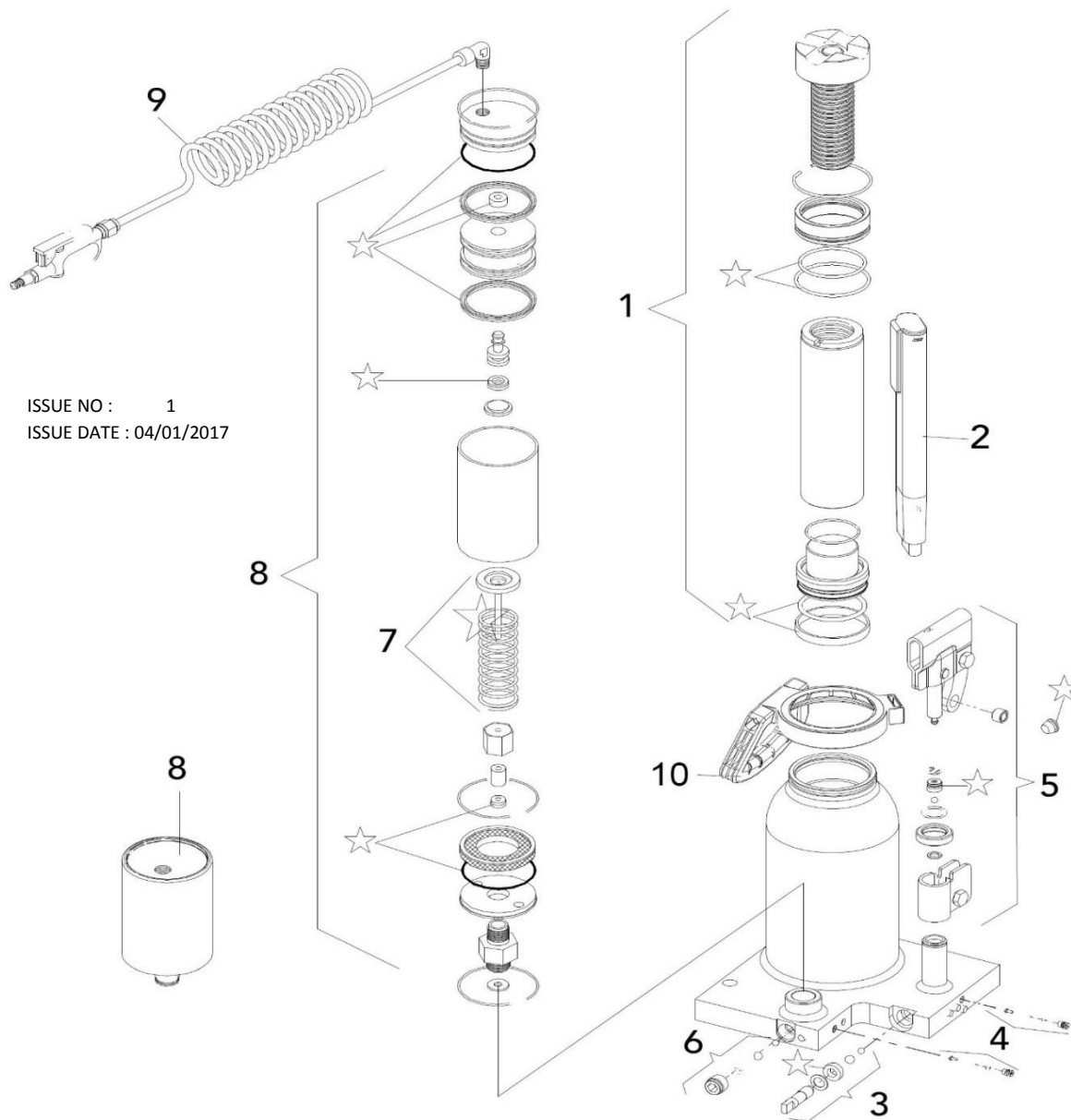




PARTS FOR :
 BOTTLE JACK 20tonne MANUAL/AIR HYDRAULIC
 BOTTLE JACK 30tonne MANUAL/AIR HYDRAULIC
MODELS: AM20.V3 & AM30.V3



ISSUE NO : 1
 ISSUE DATE : 04/01/2017

AM20

AM30

ITEM	PART NO	PART NO	DESCRIPTION
1	MGH-20-C14M	MGH-30-C14M	MAIN PISTON
2	M0218000051	M0218000051	HANDLE (RED)
3	M0212000017	M0212000017	RELEASE VALVE ASS'Y
4	MG-2/C9	MG-2/C9	SAFETY VALVE
5	M0217000056	M0217000056	HANDLE SOCKET ASS'Y
6	BKD-09/C10	BKD-09/C10	PLUG ASS'Y
7	N10-3/C8	N10-3/C8	PUMP PISTON (c/w SPRING)
8	MGH-12/C27	MGH-12/C27	COMPLETE AIR MOTOR
9	MGH-12/C39	MGH-12/C39	HOSE ASSEMBLY
10	M0299000421	M0299000423	CARRYING HANDLE (RED)
☆	RMGH-20	RMGH-30	REPAIR KIT



Sole UK Distributor, Sealey Group.
 Kempson Way, Suffolk Business Park,
 Bury St. Edmunds, Suffolk.
 IP32 7AR

01284 757500
 01284 703534

www.sealey.co.uk
 sales@sealey.co.uk