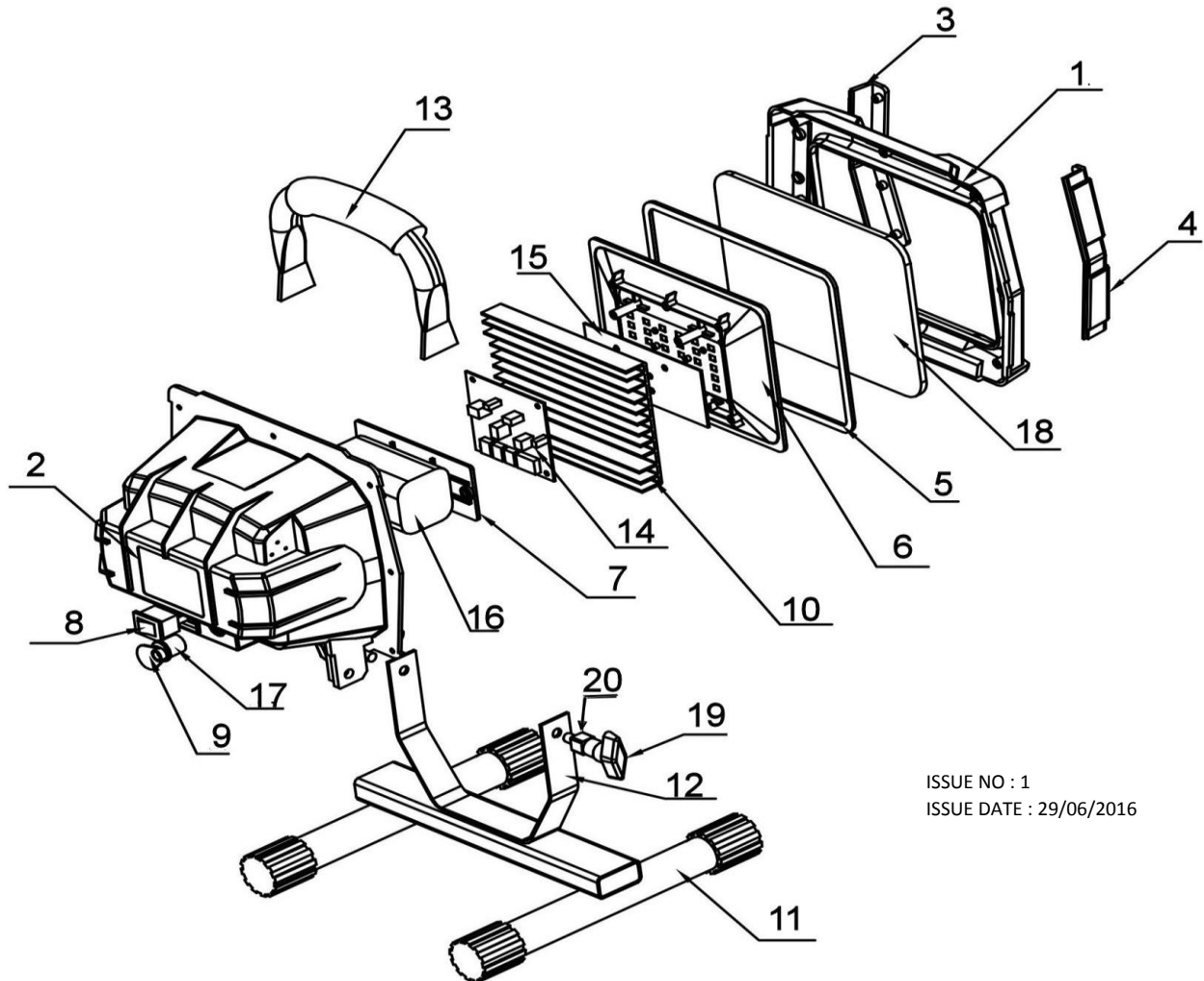




PARTS FOR :
CORDLESS 30SMD LED RECHARGEABLE PORTABLE
FLOODLIGHT LITHIUM-ION
MODELS: LED109C.V3



ISSUE NO : 1
 ISSUE DATE : 29/06/2016

ITEM	PART NO	DESCRIPTION	ITEM	PART NO	DESCRIPTION
1	LED109C.V2-01	FRONT HOUSING	12	LED109C.14	STEEL BASE "U"
2	LED109C.V2-02	BACK HOUSING	13	LED109C.17	HANDLE
3	LED109C.V3-03	SIDE STRIP, LEFT SIDE	14	LED109C.V3-14	CIRCUIT BOARD
4	LED109C.V3-04	SIDE STRIP, RIGHT SIDE	15	LED109C.V3-15	LED CIRCUIT BOARD
5	LED109C.V2-03	SEALING RING	16	LED109C.V3-16	BATTERY LI-ION 7.4V 4Ah
6	LED109C.V3-06	LED REFLECTOR	17	LED109C.V3-17	CHARGING SOCKET
7	LED109C.V3-07	CIRCUIT BOARD SUPPORT	18	LED109C.V2-04	TEMPERED GLASS
8	LED109C.V3-08	SWITCH WITH COVER	19	LED109C.V3-19	HAND BOLT
9	LED109C.V3-09	CHARGING SOCKET COVER	20	LED109C.V3-20	HAND NUT
10	LED109C.V3-10	ALUMINIUM COVER	--	LED109C.V3-21	MAINS CHARGER 12V(NOT SHOWN)
11	LED109C.15	STEEL STAND "H"	--	LED109C.V3-22	CAR CHARGER 12V(NOT SHOWN)



Sole UK Distributor,
 Sealey Group, Kempson Way,
 Suffolk Business Park,
 Bury St Edmunds, Suffolk, IP32 7AR



01284 757500



01284 703534



www.sealey.co.uk



sales@sealey.co.uk