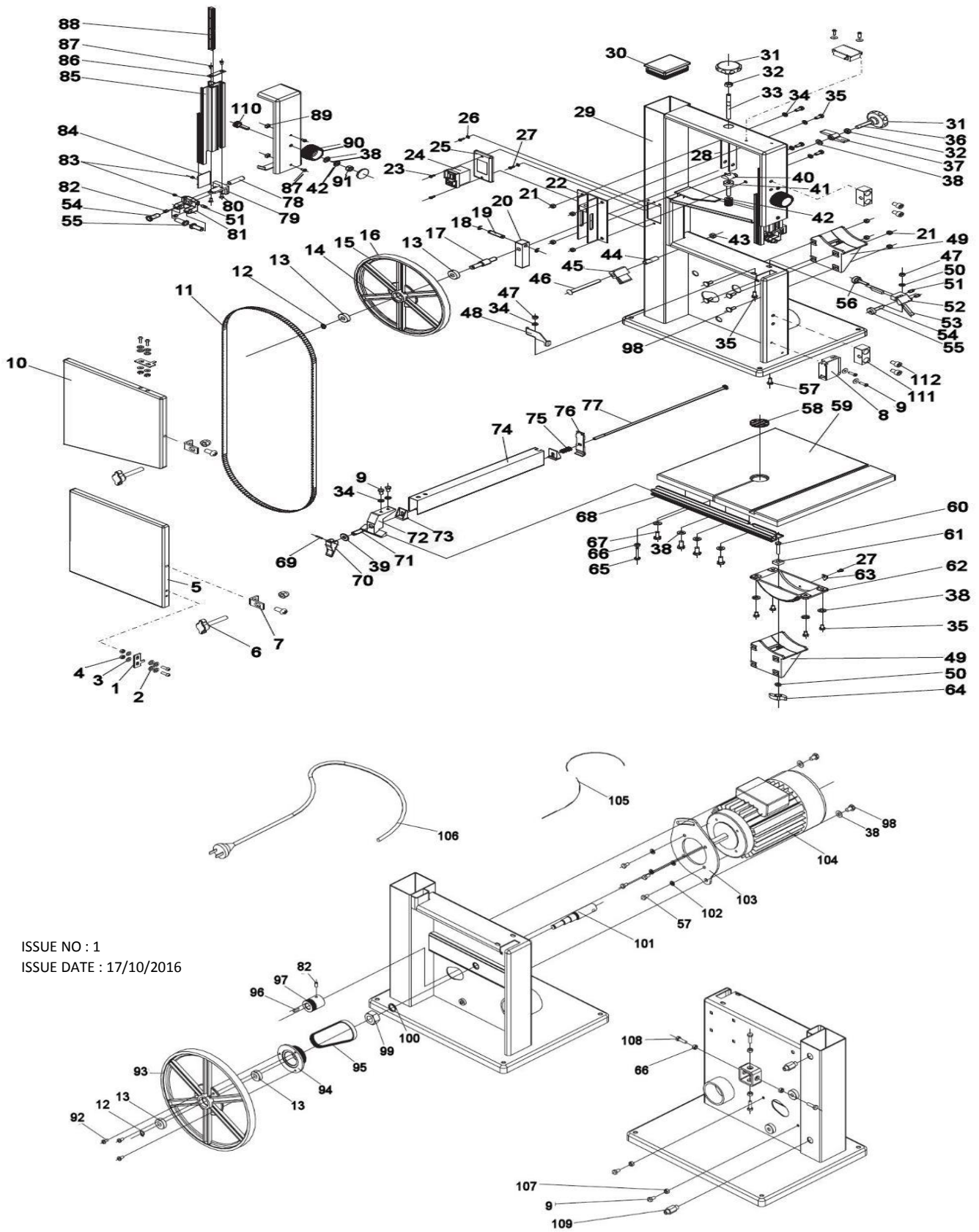




PARTS FOR :
PROFESSIONAL BANDSAW 10"
MODELS: **SM1304.V2**

1 OF 2



ISSUE NO : 1
ISSUE DATE : 17/10/2016



Sole UK Distributor, Sealey Group.
Kempson Way, Suffolk Business Park,
Bury St. Edmunds, Suffolk.
IP32 7AR



01284 757500



01284 703534



www.sealey.co.uk



sales@sealey.co.uk



PARTS FOR :
PROFESSIONAL BANDSAW 10"
MODELS: SM1304.V2

2 OF 2

ITEM	PART NO	DESCRIPTION	ITEM	PART NO	DESCRIPTION
1	SM1304.V2-01	INSERT SLICE	56	SM1304.V2-56	IDLER WHEEL SHAFT
2	SM1304.V2-02	WASHER	57	SM1304.V2-57	HEX HEAD BOLT
3	SM1304.V2-03	WASHER	58	SM1304.V2-58	BLADE FORK
4	SM1304.V2-04	HEX NUT	59	SM1304.V2-59	TABLE
5	SM1304.V2-05	DOOR LOWER	60	SM1304.V2-60	CUP SQUARE NECK BOLT
6	SM1304.V2-06	KNOB	61	SM1304.V2-61	GUIDE PIECE
7	SM1304.V2-07	FIXED PLATED	62	SM1304.V2-62	TABLE TRUNNION UPPER
8	SM1304.V2-08	MICRO SWITCH	63	SM1304.V2-63	INDICATOR
9	SM1304.V2-09	TAPPING SCREW	64	SM1304.V2-64	TENSION KNOB
10	SM1304.V2-10	DOOR UPPER	65	SM1304.V2-65	HEX HEAD BOLT
11	SM1304B06	BANDSAW BLADE 6tpi	66	SM1304.V2-66	HEX NUT
	SM1304B10	BANDSAW BLADE 10tpi	67	SM1304.V2-67	HEX HEAD BOLT
	SM1304B14	BANDSAW BLADE 14tpi	68	SM1304.V2-68	RIP FENCE CARRIER
	SM1304B24	BANDSAW BLADE 24tpi	69	SM1304.V2-69	ROLL PIN
12	SM1304.V2-12	RING RETAINING	70	SM1304.V2-70	PARTIALITY PIECE
13	SM1304.V2-13	BALL BEARING	71	SM1304.V2-71	CONNECT SET
14	SM1304.V2-14	UPPER WHEEL	72	SM1304.V2-72	BAFFLE BRACKET
15	SM1304.V2-15	BALANCE COLLAR	73	SM1304.V2-73	STUCK PIECE
16	SM1304.V2-16	BAND SAW TYRE	74	SM1304.V2-74	BAFFLE
17	SM1304.V2-17	BEARING BOLT UPPER	75	SM1304.V2-75	SPRING
18	SM1304.V2-18	'E' RING	76	SM1304.V2-76	CLAMP BOARD
19	SM1304.V2-19	PIN GUIDE	77	SM1304.V2-77	CLAMP SCREW
20	SM1304.V2-20	SEAT BEARING BOLT UPPER	78	SM1304.V2-78	FASTENING SHAFT
21	SM1304.V2-21	HEX HEAD FLANGE NUT	79	SM1304.V2-79	SEAT GUIDE UPPER
22	SM1304.V2-22	GUIDE PLATE ASSY	80	SM1304.V2-80	TAPPING SCREW
23	SM1304.V2-23	CROSS HEAD SCREW	81	SM1304.V2-81	HOUSING UPPER GUIDE
24	SM1304.V2-24	MAGNETIC SWITCH	82	SM1304.V2-82	INT.HEAD SCREW
25	SM1304.V2-25	SWITCH PLATE	83	SM1304.V2-83	INT. HEAD SCREW
26	SM1304.V2-26	EXT. LOCK WASHER	84	SM1304.V2-84	SLIDE BOARD
27	SM1304.V2-27	PAN HEAD SCREW	85	SM1304.V2-85	GUIDE LEVER
28	SM1304.V2-28	BLADE TENSIONER	86	SM1304.V2-86	COVER BOARD
29	SM1304.V2-29	BAND SAW FRAME	87	SM1304.V2-87	PAN HEAD SCREW
30	SM1304.V2-30	LAMELLO PLUG BLACK	88	SM1304.V2-88	RACK
31	SM1304.V2-31	ADJUSTABLE HANDLE	89	SM1304.V2-89	GUIDE PIECE
32	SM1304.V2-32	HEX HEAD THIN NUT	90	SM1304.V2-90	ADJUSTMENT KNOB
33	SM1304.V2-33	THREADED BOLT	91	SM1304.V2-91	HED HEAD NUT
34	SM1304.V2-34	WASHER	92	SM1304.V2-92	PAN HEAD SCREW
35	SM1304.V2-35	HEX HEAD BOLT	93	SM1304.V2-93	WHEEL LOWER
36	SM1304.V2-36	HEX HEAD BOLT	94	SM1304.V2-94	PULLEY LOWER
37	SM1304.V2-37	WING KNOB	95	SM1304.V2-95	V-RIBBED BELT
38	SM1304.V2-38	WASHER	96	SM1304.V2-96	KEY
39	SM1304.V2-39	WASHER	97	SM1304.V2-97	MOTOR PULLEY
40	SM1304.V2-40	NUT	98	SM1304.V2-98	CUP SQUARE NECK BOLT
41	SM1304.V2-41	SHAFT	99	SM1304.V2-99	HEX NUT
42	SM1304.V2-42	BUTTERFLY SPRING	100	SM1304.V2-100	SPRING WASHER
43	SM1304.V2-43	HEX HEAD FLANGE NUT	101	SM1304.V2-101	UPPER BEARING BOLT
44	SM1304.V2-44	SPACER BUSHING	102	SM1304.V2-102	SPRING WASHER
45	SM1304.V2-45	BRUSH	103	SM1304.V2-103	MOTOR MOUNTING PLATE
46	SM1304.V2-46	CUP SQUARE NECK BOLT	104	SM1304.V2-104	MOTOR
47	SM1304.V2-47	HEX HEAD LOCK NUT	105	SM1304.V2-105	MOTOR CORD
48	SM1304.V2-48	BLADE GUARD	106	SM1304.V2-106	POWER CORD
49	SM1304.V2-49	BLADE TRUNNION LOWER	107	SM1304.V2-107	HEX HEAD NUT
50	SM1304.V2-50	WASHER	108	SM1304.V2-108	HEX HEAD BOLT
51	SM1304.V2-51	INT. HEAD SCREW	109	SM1304.V2-109	RELIEF STRAIN
52	SM1304.V2-52	ROLLER GUIDE	110	SM1304.V2-110	SHAFT
53	SM1304.V2-53	PILOT PIN	111	SM1304.V2-111	FIXED BLOCK
54	SM1304.V2-54	THRUST BEARING SHAFT	112	SM1304.V2-112	HEX HEAD SCREW
55	SM1304.V2-55	BEARING			



Sole UK Distributor, Sealey Group.
Kempson Way, Suffolk Business Park,
Bury St. Edmunds, Suffolk.
IP32 7AR



01284 757500



01284 703534



www.sealey.co.uk



sales@sealey.co.uk