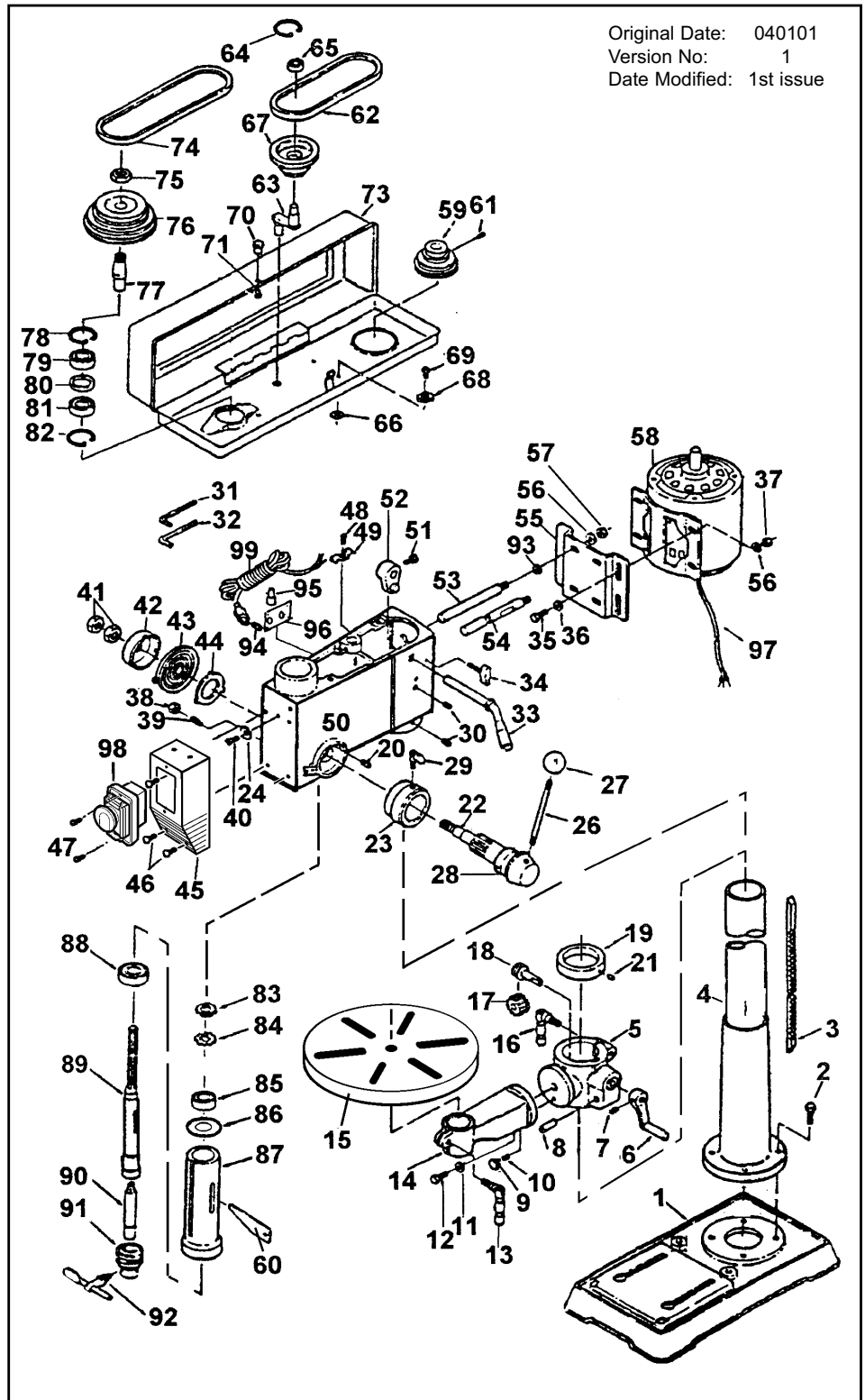


| Item | Part No. | Description |
|------|--------------|--------------------|
| 1 | GDM200FX/001 | Base |
| 2 | GDM200FX/002 | Bolt |
| 3 | GDM200FX/003 | Rack |
| 4 | GDM200FX/004 | Column |
| 5 | GDM200FX/005 | Table Arm Bracket |
| 6 | GDM200FX/006 | Handle |
| 7 | GDM200FX/007 | Headless Screw Set |
| 8 | GDM200FX/008 | Shaft |
| 9 | GDM200FX/009 | Pin |
| 10 | GDM200FX/010 | Nut |
| 11 | GDM200FX/011 | Washer |
| 12 | GDM200FX/012 | Bolt |
| 13 | GDM200FX/013 | Table Bolt |
| 14 | GDM200FX/014 | Table Arm |
| 15 | GDM200FX/015 | Table |
| 16 | GDM200FX/016 | Clamp Bolt |
| 17 | GDM200FX/017 | Gear |
| 18 | GDM200FX/018 | Worm Gear |
| 19 | GDM200FX/019 | Rack Ring |
| 20 | GDM200FX/020 | Pin Stop |
| 21 | GDM200FX/021 | Set Screw |
| 22 | GDM200FX/022 | Feed Shaft |
| 23 | GDM200FX/023 | Scale Ring |
| 24 | GDM200FX/024 | Washer |
| 26 | GDM200FX/026 | Handle |
| 27 | GDM200FX/027 | Knob |
| 28 | GDM200FX/028 | Roll Pin |
| 29 | GDM200FX/029 | Slide Bar Bolt |
| 30 | GDM200FX/030 | Set Screw |
| 31 | GDM200FX/031 | Hex Key |
| 32 | GDM200FX/032 | Hex Key |
| 33 | GDM200FX/033 | Shifter Bar |
| 34 | GDM200FX/034 | Slide Bar Bolt |
| 35 | GDM200FX/035 | Bolt |
| 36 | GDM200FX/036 | Washer |
| 37 | GDM200FX/037 | Nut |
| 38 | GDM200FX/038 | Nut |
| 39 | GDM200FX/039 | Set Screw |
| 40 | GDM200FX/040 | Bolt |
| 41 | GDM200FX/041 | Nut |
| 42 | GDM200FX/042 | Spring Cap |
| 43 | GDM200FX/043 | Spring Torsion |
| 44 | GDM200FX/044 | Spring Cover |
| 45 | GDM200FX/045 | Switch Box |
| 46 | GDM200FX/046 | Screw |
| 47 | GDM200FX/047 | Bolt |
| 48 | GDM200FX/048 | Screw |
| 49 | GDM200FX/049 | Clamp Cord |
| 50 | GDM200FX/050 | Body |
| 51 | GDM200FX/051 | Bolt |
| 52 | GDM200FX/052 | Shifter |
| 53 | GDM200FX/053 | Slide Bar |
| 54 | GDM200FX/054 | Slide Bar |
| 55 | GDM200FX/055 | Motor Base |
| 56 | GDM200FX/056 | Washer |
| 57 | GDM200FX/057 | Nut |
| 58 | GDM200FX/058 | Motor |
| 59 | GDM200FX/059 | Motor Pulley |
| 60 | GDM200FX/060 | Feather Key |
| 61 | GDM200FX/061 | Set Screw |
| 62 | GDM200FX/062 | V-Belt |
| 63 | GDM200FX/063 | Centre Shaft |
| 64 | GDM200FX/064 | Circlips |
| 65 | GDM200FX/065 | Ball Bearing |
| 66 | GDM200FX/066 | Rubber Washer |
| 67 | GDM200FX/067 | Centre Pulley |
| 68 | GDM200FX/068 | Washer |
| 69 | GDM200FX/069 | Screw |
| 70 | GDM200FX/070 | Screw |
| 71 | GDM200FX/071 | Washer |
| 73 | GDM200FX/073 | Pulley Cover |
| 74 | GDM200FX/074 | V-Belt |
| 75 | GDM200FX/075 | Pulley Nut |
| 76 | GDM200FX/076 | Spindle Pulley |
| 77 | GDM200FX/077 | Pulley Insert |
| 78 | GDM200FX/078 | Circlips |
| 79 | GDM200FX/079 | Bearing |
| 80 | GDM200FX/080 | Spacer |
| 81 | GDM200FX/081 | Ball Bearing |



Original Date: 040101
Version No: 1
Date Modified: 1st issue

| | | | | | |
|----|--------------|----------------|----|--------------|----------------|
| 82 | GDM200FX/082 | Circlips | 92 | GDM200FX/092 | Key Chuck |
| 83 | GDM200FX/083 | Round Nut | 93 | GDM200FX/093 | Washer |
| 84 | GDM200FX/084 | Tab Washer | 94 | GDM200FX/094 | Screw |
| 85 | GDM200FX/085 | Ball Bearing | 95 | GDM200FX/095 | Connector Wire |
| 86 | GDM200FX/086 | Rubber Washer | 96 | GDM200FX/096 | Cover |
| 87 | GDM200FX/087 | Spindle Sleeve | 97 | GDM200FX/097 | Wire |
| 88 | GDM200FX/088 | Ball Bearing | 98 | GDM200FX/098 | Switch |
| 89 | GDM200FX/089 | Spindle | 99 | GDM200FX/099 | Plug |
| 90 | GDM200FX/090 | Arbor | | | |
| 91 | GDM200FX/091 | Chuck | | | |



01284 757500



01284 703534

E-mail: sales@sealey.co.uk