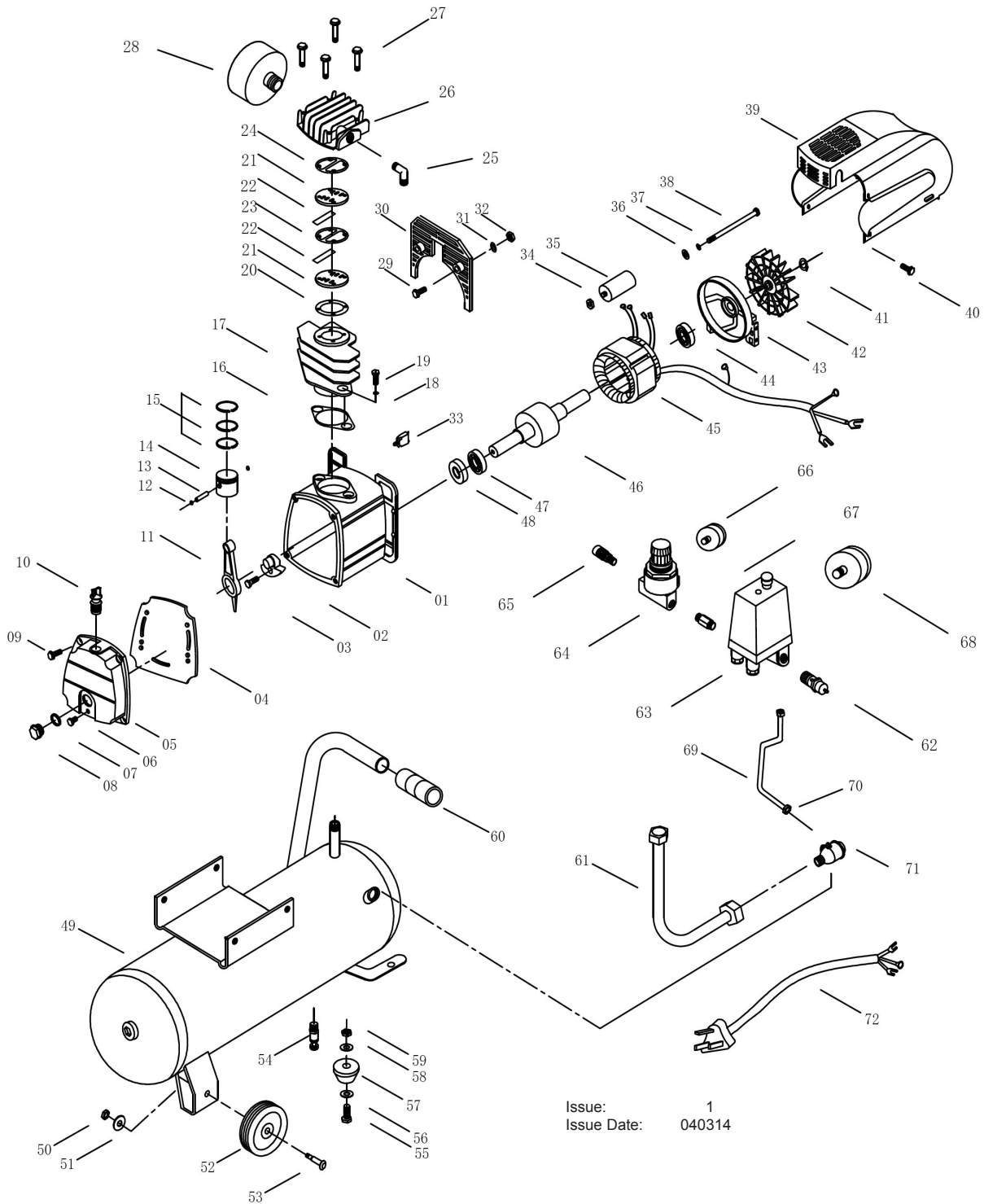




PARTS FOR :  
**COMPRESSOR 24LTR DIRECT DRIVE 2HP**  
MODEL : **SAC2420E.V2**



Issue: 1  
Issue Date: 040314

**NOTE:** It is our policy to continually improve products and as such we reserve the right to alter data, specifications and component parts without prior notice.

**IMPORTANT:** No liability is accepted for incorrect use of product.

**WARRANTY:** Guarantee is 12 months from purchase date, proof of which will be required for any claim.

**INFORMATION:** For a copy of our latest catalogue and promotions call us on 01284 757525 and leave your full name and address, including postcode.



Sole UK Distributor,  
Sealey Group, Kempson Way,  
Suffolk Business Park,  
Bury St Edmunds, Suffolk, IP32 7AR



01284 757500



01284 703534



[www.sealey.co.uk](http://www.sealey.co.uk)



[sales@sealey.co.uk](mailto:sales@sealey.co.uk)



PARTS FOR :  
**COMPRESSOR 24LTR DIRECT DRIVE 2HP**  
MODEL : **SAC2420E.V2**

ITEM	PART NO	DESCRIPTION	ITEM	PART NO	DESCRIPTION
1	SAC2420EV2.01	CRANKCASE	38	SAC2420EV2.38	BOLT
2	SAC2420EV2.02	CRANK SHAFT	39	SAC2420EV2.39	PUMP COVER
3	SAC2420EV2.03	BOLT	40	SAC2420EV2.40	BOLT
4	SAC2420EV2.04	RUBBER GASKET	41	SAC2420EV2.41	CHECK RING
5	SAC2420EV2.05	CRANKCASE COVER	42	SAC2420EV2.42	FAN
6	SAC2420EV2.06	BOLT	43	SAC2420EV2.43	REAR BEARING CRANK
7	SAC2420EV2.07	WASHER	44	SAC2420EV2.44	BEARING
8	SAC2420EV2.08	OIL SIGHT GLASS	45	SAC2420EV2.45	STATOR
9	SAC2420EV2.09	BOLT	46	SAC2420EV2.46	ROTOR
10	SAC2420EV2.10	BREATHER PLUG	47	SAC2420EV2.47	BEARING
11	SAC2420EV2.11	CONNECTING ROD	48	SAC2420EV2.48	OIL SEALING
12	SAC2420EV2.12	CIRCLIP	49	SAC2420EV2.49	TANK 50LTR
13	SAC2420EV2.13	PISTON PIN	50	SAC2420EV2.50	NUT
14	SAC2420EV2.14	PISTON	51	SAC2420EV2.51	WASHER
15	SAC2420EV2.15	PISTON RING	52	SAC2420EV2.52	WHEEL
16	SAC2420EV2.16	CRANKCASE GASKET	53	SAC2420EV2.53	WHEEL BOLT
17	SAC2420EV2.17	CYLINDER	54	SAC2420EV2.54	DRAIN VALVE
18	SAC2420EV2.18	SPRING WASHER	55	SAC2420EV2.55	BOLT
19	SAC2420EV2.19	BOLT	56	SAC2420EV2.56	WASHER
20	SAC2420EV2.20	VALVE GASKET	57	SAC2420EV2.57	CUSHION FOOT
21	SAC2420EV2.21	VALVE REED	58	SAC2420EV2.58	WASHER
22	SAC2420EV2.22	VALVE PLATE	59	SAC2420EV2.59	NUT
23	SAC2420EV2.23	CYLINDER GASKET	60	SAC2420EV2.60	HANDLE GRIP
24	SAC2420EV2.24	CYLINDER HEAD GASKET	61	SAC2420EV2.61	EXHUAUST PIPE
25	SAC2420EV2.25	ELBOW EXHAUST	62	SAC2420EV2.62	SAFETY VALVE
26	SAC2420EV2.26	CYLINDER HEAD	63	SAC2420EV2.63	PRESSURE SWITCH
27	SAC2420EV2.27	BOLT	64	SAC2420EV2.64	REGULATOR
28	SAC2420EV2.28	AIR FILTER	65	SAC2420EV2.65	QUICK VALVE
29	SAC2420EV2.29	BOLT	66	SAC2420EV2.66	PRESSURE GAUGE
30	SAC2420EV2.30	BAFFLE	67	SAC2420EV2.67	CONNECTOR
31	SAC2420EV2.31	WASHER	68	SAC2420EV2.68	PRESSURE GAUGE
32	SAC2420EV2.32	NUT	69	SAC2420EV2.69	UNLOADING PIPE
33	SAC2420EV2.33	THERMAL CUT-OUT	70	SAC2420EV2.70	UNLOADING NUT
34	SAC2420EV2.34	NUT	71	SAC2420EV2.71	CHECK VALVE
35	SAC2420EV2.35	CAPACITOR	72	SAC2420EV2.72	PLUG
36	SAC2420EV2.36	WASHER	--	SAC2420EV2.P	COMPLETE PUMP (not shown)
37	SAC2420EV2.37	SPRING WASHER			

**NOTE:** It is our policy to continually improve products and as such we reserve the right to alter data, specifications and component parts without prior notice.

**IMPORTANT:** No liability is accepted for incorrect use of product.

**WARRANTY:** Guarantee is 12 months from purchase date, proof of which will be required for any claim.

**INFORMATION:** For a copy of our latest catalogue and promotions call us on 01284 757525 and leave your full name and address, including postcode.



Sole UK Distributor,  
Sealey Group, Kempson Way,  
Suffolk Business Park,  
Bury St Edmunds, Suffolk, IP32 7AR



01284 757500



01284 703534



[www.sealey.co.uk](http://www.sealey.co.uk)



[sales@sealey.co.uk](mailto:sales@sealey.co.uk)