

Issue: 1
 Issue Date: 260314

ITEM	PART NO	DESCRIPTION	ITEM	PART NO	DESCRIPTION
1	3000CXD.V2-01	SIDE PLATE	21	3000CXD.V2-21	HEX NUT
2	3000CXD.V2-02	FRONT WHEEL 95X43X17	22	3000CXD.V2-22	LOCK WASHER (10mm)
3	3000CXD.V2-03	WASHER (19mm)	23	3000CXD.V2-23	TIPPING GEAR
4	3000CXD.V2-04	C-RING (S19)	24	3000CXD.V2-24	PIN (2.5x15)
5	3000CXD.V2-05	BOLT LINK M16X23	25	3000CXD.V2-25	GEAR SHAFT
6	3000CXD.V2-06	LIFT ARM	26	3000CXD.V2-26	HANDLE GRIP
7	3000CXD.V2-07	SADDLE	27	3000CXD.V2-27	SCREW (M6x35)
8	3000CXD.V2-08	RAISE ARM SUPPORT	28	3000CXD.V2-28	HANDLE, LOWER
9	3000CXD.V2-09	C-RING (S25)	29	3000CXD.V2-29	HANDLE, UPPER
10	3000CXD.V2-10	GREASE FITTING	30	3000CXD.V2-30	BOLT M17.5X30
11	3000CXD.V2-11	C-RING (S25)	31	3000CXD.V2-31	REINFORCEMENT SHAFT
12	3000CXD.V2-12	LINK SUPPORT	32	3000CXD.V2-32	LOCK WASHER (12mm)
13	3000CXD.V2-13	PIN (4x40)	33	3000CXD.V2-33	HEX NUT
14	3000CXD.V2-14	SPRING	34	3000CXD.V2-34	LOCK WASHER (12mm)
15	3000CXD.V2-15	POWER UNIT ASS'Y	35	3000CXD.V2-35	SCREW
16	3000CXD.V2-16	BOLT M12X12	36	3000CXD.V2-36	CASTOR ASS'Y 60x33x10
17	3000CXD.V2-17	LOCK WASHER (18mm)	37	3000CXD.V2-37	HEX NUT
18	3000CXD.V2-18	TORSION SPRING	38	3000CXD.V2-38	LOCK WASHER (16mm)
19	3000CXD.V2-19	HANDLE SOCKET	39	3000CXD.V2-39	HEX NUT
20	3000CXDV2.20A	HANDLE BOLT M12X14	40	3000CXD.V2-40	LOCK WASHER (12mm)

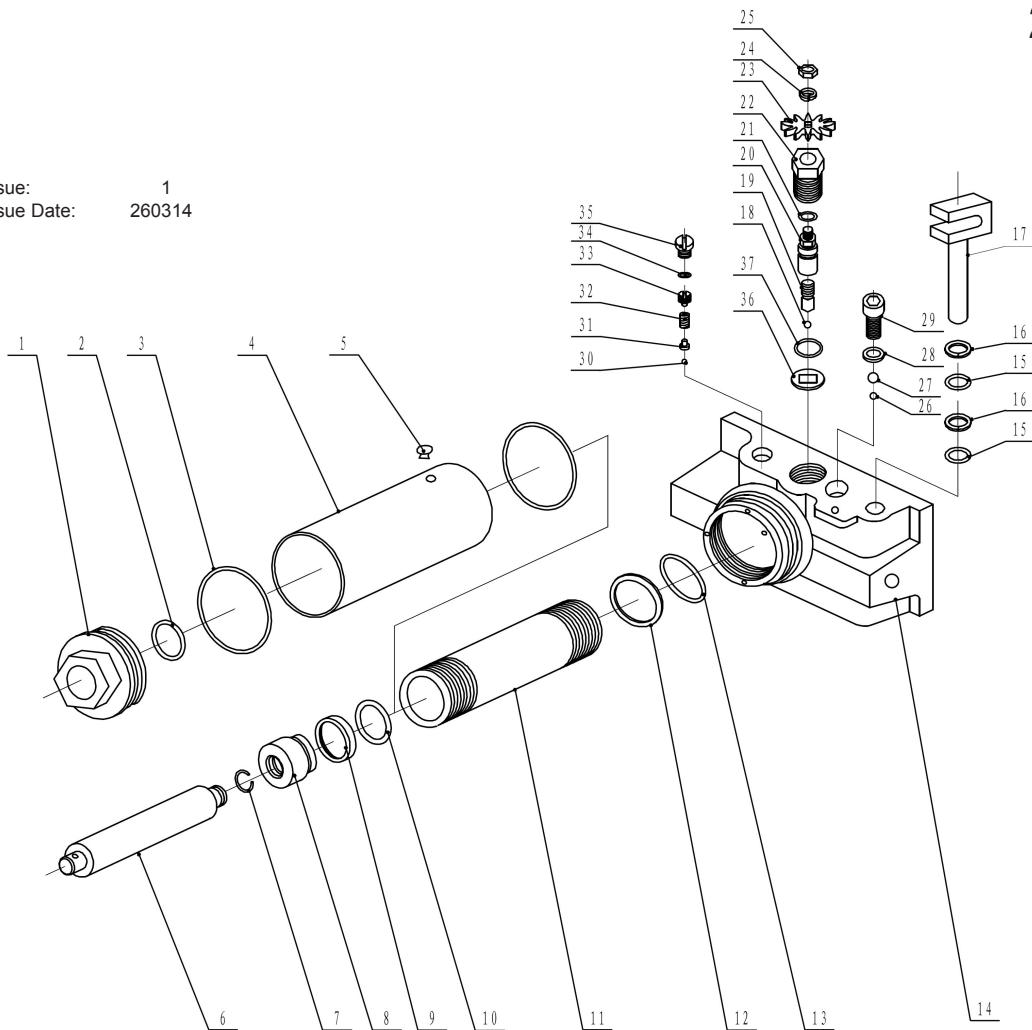
NOTE: It is our policy to continually improve products and as such we reserve the right to alter data, specifications and component parts without prior notice.

IMPORTANT: No liability is accepted for incorrect use of product.

WARRANTY: Guarantee is 12 months from purchase date, proof of which will be required for any claim.

INFORMATION: For a copy of our latest catalogue and promotions call us on 01284 757525 and leave your full name and address, including postcode.

Issue: 1
 Issue Date: 260314



ITEM	PART NO	DESCRIPTION	ITEM	PART NO	DESCRIPTION
1	3000CXDV2.P01	TOP CAP	20	3000CXDV2.P20	OIL DRAIN VALVE STEM
2	3000CXDV2.P02	O-RING (29.6x3.5)	21	3000CXDV2.P21	O-RING (12.5x1.8)
3	3000CXDV2.P03	SEAL	22	3000CXDV2.P22	OIL DRAIN VALVE SEAT
4	3000CXDV2.P04	RESERVOIR	23	3000CXDV2.P23	OIL DRAIN VALVE GEAR
5	3000CXDV2.P05	OIL FILLER PLUG	24	3000CXDV2.P24	SPRING WASHER (8mm)
6	3000CXDV2.P06	PISTON ROD	25	3000CXDV2.P25	NUT (M8)
7	3000CXDV2.P07	C-RING	26	3000CXDV2.P26	STEEL BALL (6mm)
8	3000CXDV2.P08	PISTON HEAD	27	3000CXDV2.P27	STEEL BALL (9mm)
9	3000CXDV2.P09	BOWL WASHER	28	3000CXDV2.P28	SEALING WASHER
10	3000CXDV2.P10	O-RING (32.8x4.6)	29	3000CXDV2.P29	SOCKET CAP SCREW (M12x20)
11	3000CXDV2.P11	OIL CYLINDER	30	3000CXDV2.P30	STEEL BALL (4mm)
12	3000CXDV2.P12	NYLON SEAL	31	3000CXDV2.P31	BALL VALVE SEAT
13	3000CXDV2.P13	O-RING (46.5x2.4)	32	3000CXDV2.P32	PRESSURE REGULATING SPRING
14	3000CXDV2.P14	BASE PLATE	33	3000CXDV2.P33	PRESSURE ADJUSTING SCREW
15	3000CXDV2.P15	O-RING (15.6x2.6)	34	3000CXDV2.P34	RELIEF VALVE SEALING RING
16	3000CXDV2.P16	SPLIT WASHER	35	3000CXDV2.P35	RELIEF VALVE SCREW
17	3000CXDV2.P17	PUMP CORE	36	3000CXDV2.P36	GUIDE PLATE
18	3000CXDV2.P18	STEEL BALL (6mm)	37	3000CXDV2.P37	O-RING (18.8x2)
19	3000CXDV2.P19	RESET PLUNGER	--	3000CXDV2.RK	REPAIR KIT

NOTE: It is our policy to continually improve products and as such we reserve the right to alter data, specifications and component parts without prior notice.

IMPORTANT: No liability is accepted for incorrect use of product.

WARRANTY: Guarantee is 12 months from purchase date, proof of which will be required for any claim.

INFORMATION: For a copy of our latest catalogue and promotions call us on 01284 757525 and leave your full name and address, including postcode.