

Issue: 1
 Issue Date: 200514

ITEM	PART NO	DESCRIPTION	ITEM	PART NO	DESCRIPTION
1	PWDM3600.01	SCREW (M5x42)	22	PWDM3600.22	WHEEL RING
2	PWDM3600.02	GUN HOOK	23	PWDM3600.23	SPRING WASHER
3	PWDM3600.03	FLAT WASHER (5mm)	24	PWDM3600.24	CLIP
4	PWDM3600.04	LOCK NUT (M5)	25	PWDM3600.25	HEX BOLT (M10x55)
5	PWDM3600.05	UPPER FRAME	26	PWDM3600.26	SCREW (M3x8)
6	PWDM3600.06	HOSE HOOK	27	PWDM3600.27	VALVE PLATE
7	PWDM3600.07	HIGH PRESSURE HOSE	28	PWDM3600.28	SWITCH COVER PLATE
8	PWDM3600.08	SCREW (M6x40)	29	PWDM3600.29	RUBBER MOUNT
9	PWDM3600.09	FLAT WASHER (6mm)	30	PWDM3600.30	RUBBER FOOT
10	PWDM3600.10	LOCK NUT (M6)	31	PWDM3600.31	BATTERY 24Ah 12V
11	PWDM3600.11	FRAME BASE	32	PWDM3600.32	HEX SCREW (M8x30)
12	PWDM3600.12	ENGINE 10hp	33	PWDM3600.33	FLAT WASHER (8mm)
13	PWDM3600.13	GUIDE WIRE	34	PWDM3600.34	SPRING WASHER
14	PWDM3600.14	SWITCH	35	PWDM3600.35	PUMP ASSEMBLY
15	PWDM3600.15	LOCK NUT (M10)	36	PWDM3600.36	BATTERY STRAP
16	PWDM3600.16	FLAT WASHER (10mm)	37	PWDM3600.37	SCREW (M6x42)
17	PWDM3600.17	WHEEL AXLE	38	PWDM3600.38	PANEL
18	PWDM3600.18	PNEUMATIC WHEEL	39	PWDM3600.39	NOZZLE HOLDER
19	PWDM3600.19	SCREW (M6x12)	40	PWDM3600.40	NOZZLE
20	PWDM3600.20	FLAT WASHER (16mm)	41	PWDM3600.41	HIGH PRESSURE GUN
21	PWDM3600.21	SCREW (M5x12)			

NOTE: It is our policy to continually improve products and as such we reserve the right to alter data, specifications and component parts without prior notice.

IMPORTANT: No liability is accepted for incorrect use of product.

WARRANTY: Guarantee is 12 months from purchase date, proof of which will be required for any claim.

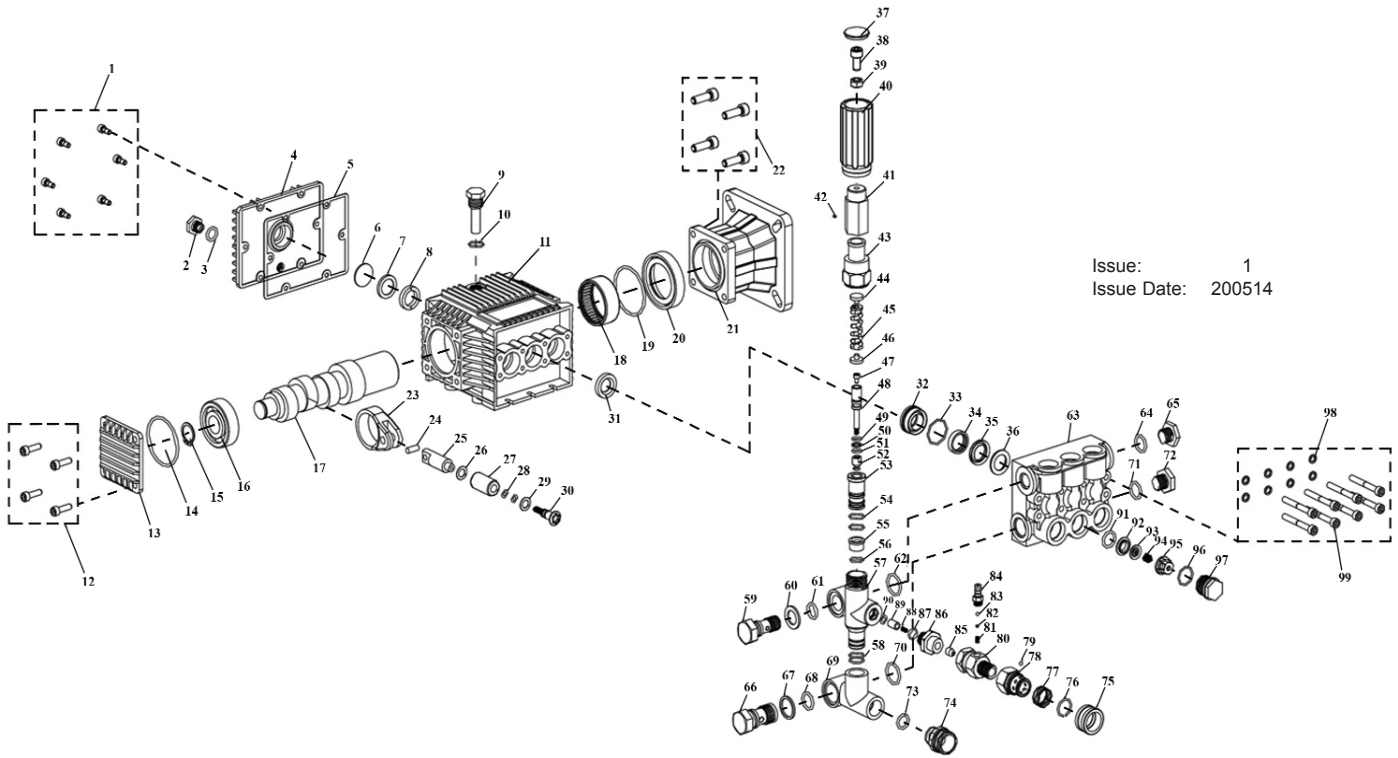
INFORMATION: For a copy of our latest catalogue and promotions call us on 01284 757525 and leave your full name and address, including postcode.



PARTS FOR:
PRESSURE WASHER 290bar 15ltr/min 10hp DIESEL
 MODEL: **PWDM3600**

2 OF 4

PUMP PARTS



Issue: 1
 Issue Date: 200514

ITEM	PART NO	DESCRIPTION	ITEM	PART NO	DESCRIPTION	ITEM	PART NO	DESCRIPTION
P01	PWDM3600.P01	BACK COVER SCREW	P41	PWDM3600.P41	PRESSURE ADJUSTING HANDLE COVER	P67	PWDM3600.P67	GASKET, WATER INLET T-CONNECTOR BOLT
P02	PWDM3600.P02	OIL DRAIN BOLT	P42	PWDM3600.P42	FIXED SCREW, PRESSURE ADJUSTING HANDLE	P68	PWDM3600.P68	O-RING, WATER INLET T-CONNECTOR BOLT
P03	PWDM3600.P03	GASKET, OIL DRAIN BOLT	P43	PWDM3600.P43	PRESSURE ADJUSTING SEAT	P69	PWDM3600.P69	WATER INLET T-CONNECTOR CONNECTING O-RING,
P04	PWDM3600.P04	BACK COVER	P44	PWDM3600.P44	UPPER GASKET, PRESSURE ADJUSTING SPRING	P70	PWDM3600.P70	WATER INLET T-CONNECTOR CONNECTING O-RING,
P05	PWDM3600.P05	GASKET, BACK COVER	P45	PWDM3600.P45	PRESSURE ADJUSTING SRRING	P71	PWDM3600.P71	O-RING, WATER INLET PLUG
P06	PWDM3600.P06	OIL SIGHT	P46	PWDM3600.P46	PRESSURE ADJUSTING SRRING GASKET	P72	PWDM3600.P72	WATER INLET PLUG
P07	PWDM3600.P07	OIL SIGHT WASHER	P47	PWDM3600.P47	FIXED SCREW, PRESSURE ADJUSTING VALVE CORE	P73	PWDM3600.P73	O-ING, WATER INLET CONNECTOR
P08	PWDM3600.P08	OIL SIGHT CAP	P48	PWDM3600.P48	PRESSURE ADJUSTING VALVE CORE	P74	PWDM3600.P74	WATER INLET CONNECTOR CAP, QUICK CONNECTOR
P09	PWDM3600.P09	OIL INLET PLUG	P49	PWDM3600.P49	O-RING, PRESSURE ADJUSTING VALVE CORE	P75	PWDM3600.P75	CLIP
P10	PWDM3600.P10	O-RING, OIL INLET PLUG	P50	PWDM3600.P50	COLLAR, PRESSURE ADJUSTING VALVE CORE O-RING	P76	PWDM3600.P76	O-RING, QUICK CONNECTOR QUICK CONNECTOR
P11	PWDM3600.P11	CRANKCASE	P51	PWDM3600.P51	O-RING, PRESSURE ADJUSTING VALVE CORE	P77	PWDM3600.P77	STEEL BALL
P12	PWDM3600.P12	FIXED BOLT, CRANKSHAFT COVER	P52	PWDM3600.P52	PRESSURE ADJUSTING VALVE HEAD	P80	PWDM3600.P80	DETERGENT SUCTION SEAT
P13	PWDM3600.P13	CRANKSHAFT COVER	P53	PWDM3600.P53	PRESSURE ADJUSTING SHEATH	P81	PWDM3600.P81	DETERGENT SUCTION SPRING
P14	PWDM3600.P14	O-RING, CRANKSHAFT COVER	P54	PWDM3600.P54	O-RING, PRESSURE ADJUSTING SHEATH	P82	PWDM3600.P82	DETERGENT SUCTION O-RING
P15	PWDM3600.P15	CLAMP SPRING	P55	PWDM3600.P55	PRESSURE ADJUSTING COVER	P83	PWDM3600.P83	STEEL BALL
P16	PWDM3600.P16	BEARING	P56	PWDM3600.P56	PRESSURE ADJUSTING COVER O-RING	P84	PWDM3600.P84	DETERGENT INJECTION CONNECTOR
P17	PWDM3600.P17	CRANKSHAFT	P57	PWDM3600.P57	WATER OUTLET (T-CONNECTOR)	P85	PWDM3600.P85	WATER NOZZLE
P18	PWDM3600.P18	ROLLER BEARING	P58	PWDM3600.P58	O-RING, WATER OUTLET (T-CONNECTOR)	P86	PWDM3600.P86	VALVE CONE JOINT
P19	PWDM3600.P19	O-RING, FLANGE	P59	PWDM3600.P59	FIXED BOLT, WATER OUTLET (T-CONNECTOR)	P87	PWDM3600.P87	VALVE CONE JOINT O-RING
P20	PWDM3600.P20	OIL SEAL, CRANKSHAFT FLANGE	P60	PWDM3600.P60	WASHER, WATER OUTLET (T-CONNECTOR) BOLT	P88	PWDM3600.P88	VALVE CONE SPRING
P21	PWDM3600.P21	FLANGE	P61	PWDM3600.P61	O-RING, WATER OUTLET (T-CONNECTOR) BOLT	P89	PWDM3600.P89	VALVE CONE
P22	PWDM3600.P22	FLANGE FIXED BOLT	P62	PWDM3600.P62	O-RING, WATER OUTLET T-CONNECTOR	P90	PWDM3600.P90	VALVE CONE O-RING
P23	PWDM3600.P23	CONNECTING ROD	P63	PWDM3600.P63	CYLINDER BODY	P91	PWDM3600.P91	O-RING, CHECK VALVE
P24	PWDM3600.P24	CONNECTING ROD PIN	P64	PWDM3600.P64	O-RING, WATER OUTLET PLUG	P92	PWDM3600.P92	CHECK VALVE GASKET
P25	PWDM3600.P25	PLUNGER ROD	P65	PWDM3600.P65	WATER OUTLET PLUG	P93	PWDM3600.P93	CHECK VALVE SEAL
P26	PWDM3600.P26	COPPER WASHER	P66	PWDM3600.P66	FIXED BOLT, WATER INLET (T-CONNECTOR)	P94	PWDM3600.P94	CHECK VALVE SPRING
P27	PWDM3600.P27	CERAMIC PLUNGER				P95	PWDM3600.P95	CHECK VALVE COVER
P28	PWDM3600.P28	O-RING, PLUNGER SCREW CAP				P96	PWDM3600.P96	O-RING, CHECK VALVE CAP
P29	PWDM3600.P29	COPPER WASHER				P97	PWDM3600.P97	CHECK VALVE CAP GASKET
P30	PWDM3600.P30	PLUNGER SCREW CAP				P98	PWDM3600.P98	GASKET
P31	PWDM3600.P31	CAP, WATER SEAL				P99	PWDM3600.P99	FIXED SCREW, CYLINDER BODY
P32	PWDM3600.P32	WATER SEAL						
P33	PWDM3600.P33	O-RING, WATER SEAL						
P34	PWDM3600.P34	GRIP RING, WATER SEAL						
P35	PWDM3600.P35	WATER SEAL						
P36	PWDM3600.P36	SUPPORTING RING						
P37	PWDM3600.P37	PRESSURE ADJUSTING HANDLE COVER						
P38	PWDM3600.P38	FIXED SCREW, PRESSURE ADJUSTING HANDLE						
P39	PWDM3600.P39	FIXED SCREW CAP, PRESSURE ADJUSTING HANDLE						
P40	PWDM3600.P40	PRESSURE ADJUSTING HANDLE						

NOTE: It is our policy to continually improve products and as such we reserve the right to alter data, specifications and component parts without prior notice.

IMPORTANT: No liability is accepted for incorrect use of product.

WARRANTY: Guarantee is 12 months from purchase date, proof of which will be required for any claim.

INFORMATION: For a copy of our latest catalogue and promotions call us on 01284 757525 and leave your full name and address, including postcode.



Sole UK Distributor,
 Sealey Group, Kempson Way,
 Suffolk Business Park,
 Bury St Edmunds, Suffolk, IP32 7AR



01284 757500



01284 703534

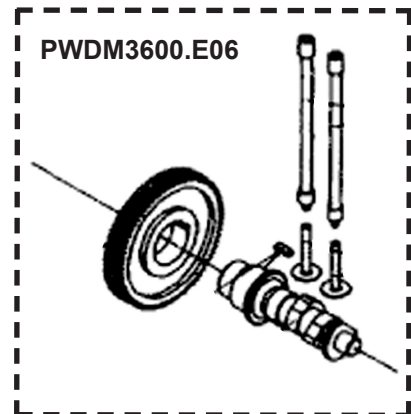
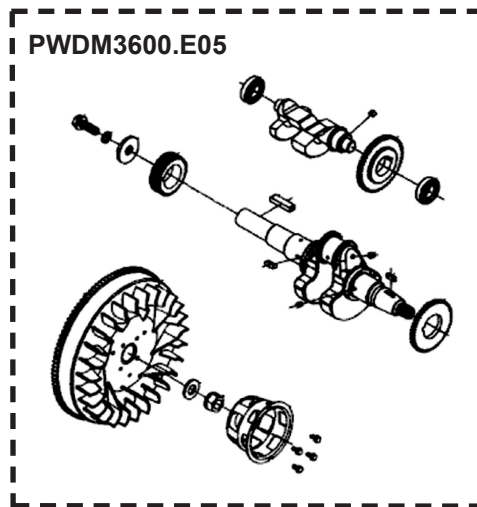
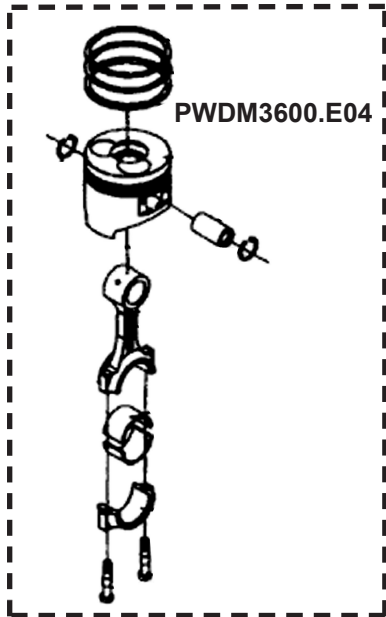
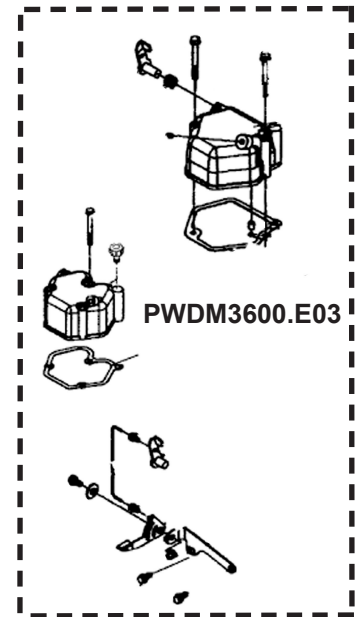
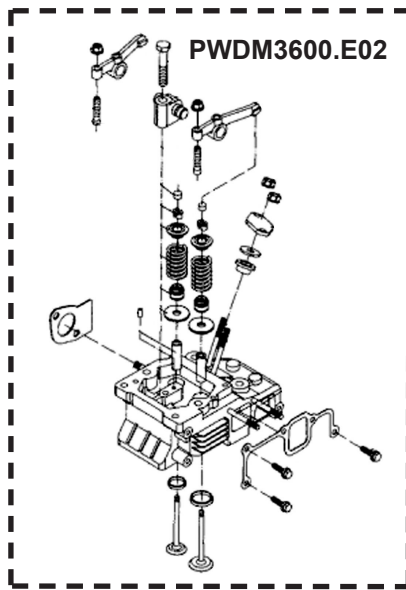
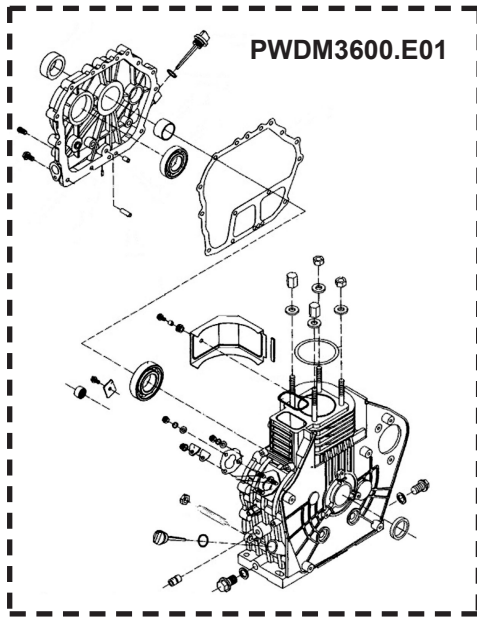


www.sealey.co.uk

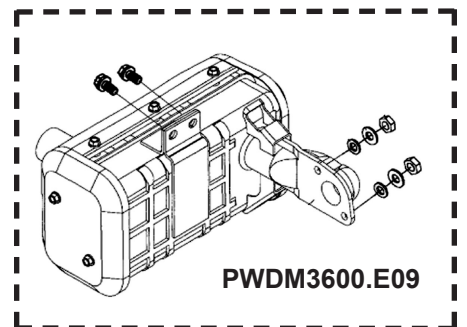
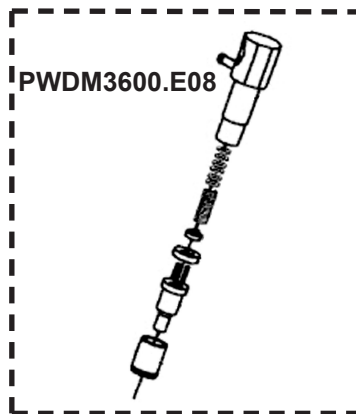
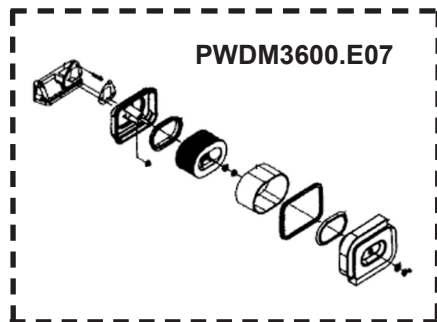


sales@sealey.co.uk

ENGINE PARTS



Issue: 1
 Issue Date: 200514



NOTE: It is our policy to continually improve products and as such we reserve the right to alter data, specifications and component parts without prior notice.

IMPORTANT: No liability is accepted for incorrect use of product.

WARRANTY: Guarantee is 12 months from purchase date, proof of which will be required for any claim.

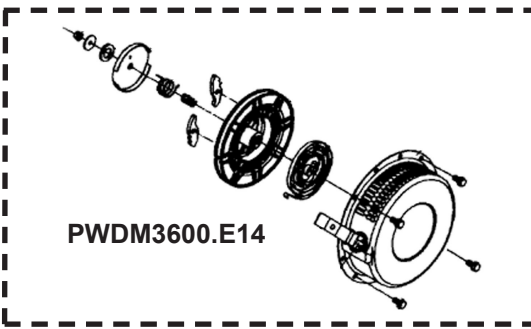
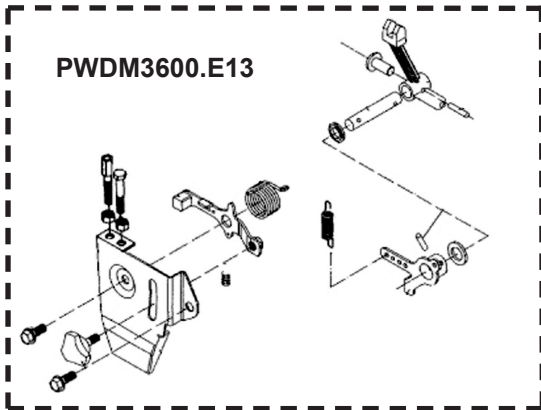
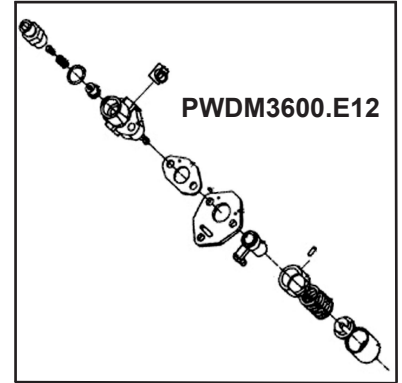
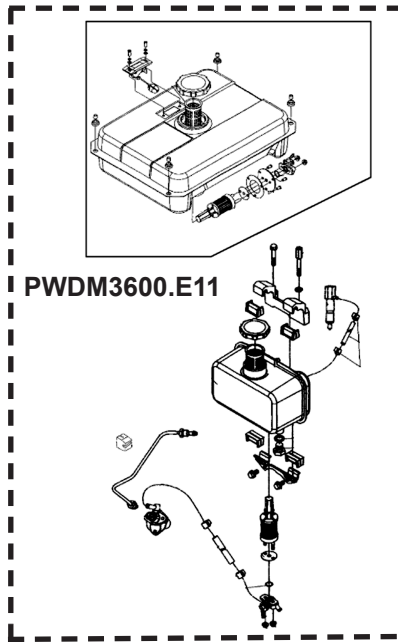
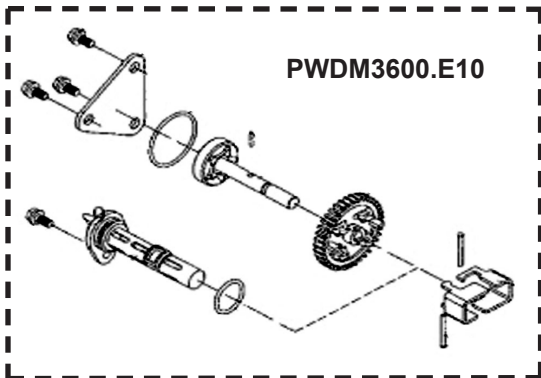
INFORMATION: For a copy of our latest catalogue and promotions call us on 01284 757525 and leave your full name and address, including postcode.



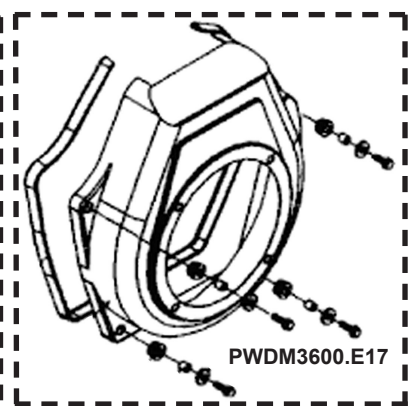
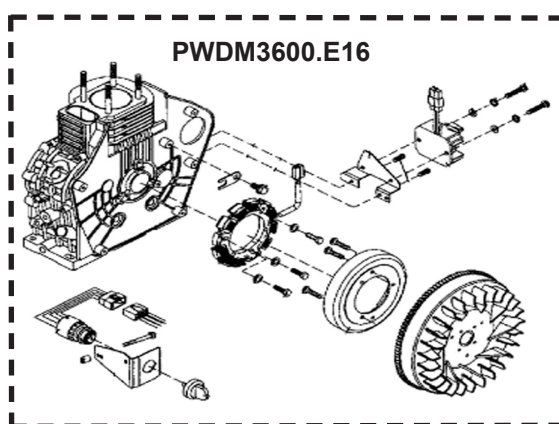
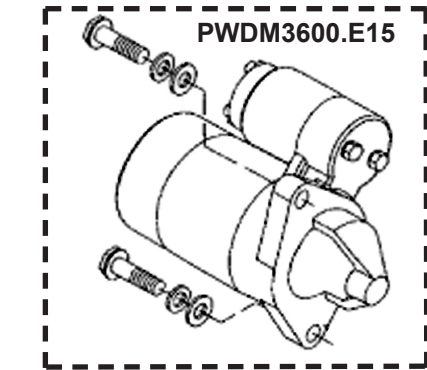
PARTS FOR:
PRESSURE WASHER 290bar 15ltr/min 10hp DIESEL
 MODEL: **PWDM3600**

4 OF 4

ENGINE PARTS



Issue: 1
 Issue Date: 200514



ITEM	PART NO	DESCRIPTION	ITEM	PART NO	DESCRIPTION
1	PWDM3600.E01	CYLINDER ASS'Y	10	PWDM3600.E10	LUBRICATION SYSTEM
2	PWDM3600.E02	CYLINDER HEAD ASS'Y	11	PWDM3600.E11	FUEL SYSTEM
3	PWDM3600.E03	CYLINDER HEAD COVER ASS'Y	12	PWDM3600.E12	FUEL INJECTOR PUMP ASS'Y
4	PWDM3600.E04	PISTON CONNECTING ROD ASS'Y	13	PWDM3600.E13	SPEED REGULATOR & CONTROL SYSTEM
5	PWDM3600.E05	SHAFT FLYWHEEL ASS'Y	14	PWDM3600.E14	RECOIL STARTER ASS'Y
6	PWDM3600.E06	CAMSHAFT ASS'Y	15	PWDM3600.E15	STARTER MOTOR ASS'Y
7	PWDM3600.E07	AIR INTAKE ASS'Y	16	PWDM3600.E16	FLYWHEEL GENERATOR ASS'Y
8	PWDM3600.E08	FUEL INJECTOR ASS'Y	17	PWDM3600.E17	FAN COVER ASS'Y
9	PWDM3600.E09	MUFFLER ASS'Y			

NOTE: It is our policy to continually improve products and as such we reserve the right to alter data, specifications and component parts without prior notice.

IMPORTANT: No liability is accepted for incorrect use of product.

WARRANTY: Guarantee is 12 months from purchase date, proof of which will be required for any claim.

INFORMATION: For a copy of our latest catalogue and promotions call us on 01284 757525 and leave your full name and address, including postcode.



Sole UK Distributor,
 Sealey Group, Kempson Way,
 Suffolk Business Park,
 Bury St Edmunds, Suffolk, IP32 7AR

01284 757500
 01284 703534

www.sealey.co.uk
 sales@sealey.co.uk