



INSTRUCTIONS FOR
AIR JACK/STAND 10TONNE
MODEL NO: **AJS10000**

Thank you for purchasing a Sealey product. Manufactured to a high standard, this product will, if used according to these instructions, and properly maintained, give you years of trouble free performance.

IMPORTANT: PLEASE READ THESE INSTRUCTIONS CAREFULLY. NOTE THE SAFE OPERATIONAL REQUIREMENTS, WARNINGS & CAUTIONS. USE THE PRODUCT CORRECTLY AND WITH CARE FOR THE PURPOSE FOR WHICH IT IS INTENDED. FAILURE TO DO SO MAY CAUSE DAMAGE AND/OR PERSONAL INJURY AND WILL INVALIDATE THE WARRANTY. KEEP THESE INSTRUCTIONS SAFE FOR FUTURE USE.



Refer to instructions



Wear eye protection



Wear protective gloves



Wear safety footwear



Wear protective clothing

1. SAFETY

- ❑ **WARNING!** Ensure correct air pressure is maintained and not exceeded.
- ❑ **WARNING!** Only attachments and/or adapters supplied by the Sealey shall be used.
- ❑ **WARNING!** Do not connect two jacks to one control valve. Operating the jacks in this way can cause loss of control during raising and lowering the vehicle.
- ❑ **WARNING!** Do not attempt to raise a partially filled tanker or transport containing an unrestrained load. A sudden load shift can occur causing dangerous tilting or toppling of the vehicle.
- ❑ **WARNING!** Turn off air supply and de-pressurise the control nozzle before removing the pump unit from any installation or mobile system. Failure to comply with this instruction may damage the unit and will invalidate your warranty.
- ✓ Disconnect jack from air supply before changing parts, servicing or performing any maintenance.
- ✓ Keep air hose away from heat, oil and sharp edges. Check air hose for wear before each use, and ensure that all connections are secure.
- ✓ Ensure the jack is in sound condition and good working order. Take action for immediate repair or replacement of damaged parts.
- ✓ Use genuine parts only. Unauthorised parts may be dangerous and will invalidate the warranty.
- ✓ Use jack on level and solid ground, preferably concrete. Avoid tarmac as jack may sink in.
- ✓ Place wedges under wheels of vehicle.
- ✓ Ensure the vehicle handbrake is engaged, engine is switched off and transmission is in gear (or "Park" if automatic).
- ✓ Ensure minimum distance of 0.5m between vehicle and static objects such as doors, walls, etc., to allow for vehicle tilting.
- ✓ Only place jack under those lifting points recommended by vehicle manufacturer (see vehicle handbook).
- ✓ Check that the jacking point is stable and centred on the jack saddle and is free from grease and oil.
- ✓ Locate the jack in a suitable, well lit work area.
- ✓ Keep work area clean and tidy and free from unrelated materials.
- ✓ Use a qualified person to maintain or repair the jack's hydraulic system.
- ✓ Ensure there are no passengers in the vehicle.
- ✓ Ensure all non-essential persons keep a safe distance whilst the jack is in use.
- ✓ Ensure that there are no persons or obstructions beneath the vehicle before lowering.
- ✓ When not in use disconnect jack from the air supply, and store, fully lowered, in a safe, dry, childproof area.
- ✗ **DO NOT** allow untrained persons to operate the jack.
- ✗ **DO NOT** operate the jack if parts are missing or damaged.
- ✗ **DO NOT** exceed the rated capacity of the jack.
- ✗ **DO NOT** allow the vehicle to move while supported by the jack.
- ✗ **DO NOT** jack the vehicle if there is a risk of spillage of fuel, battery acid, or other dangerous substances.
- ✗ **DO NOT** work under the vehicle until axle stands have been correctly positioned.
- ✗ **DO NOT** use the jack for purposes other than that for which it is intended.
- ✗ **DO NOT** adjust the safety overload valve.
- ✗ **DO NOT** apply your body weight to the handle during jacking. The handle is only for moving the jack to and from the jacking location.
- ✗ **DO NOT** direct air from the air hose at yourself or others.
- ✗ **DO NOT** use the jack if believed to have been subjected to abnormal load or shock. Inspect and take appropriate action.

2. INTRODUCTION

Ideal for workshop use, this jack doubles up as an axle stand to take the effort out of lifting and holding heavy plant, tractors and commercial vehicles. Multiple lifting and locking positions achieved using extension tube with multi-position pin support. Removable two piece handle aids easy storage. Requires 200psi of air pressure to reach optimum performance.

3. SPECIFICATION

Model No:.....	AJS10000
Maximum Capacity:.....	10tonne
Minimum Height:	447mm
Maximum Height:	1300mm
Extension:	561mm
Piston Stroke:.....	292mm
Working Pressure:.....	200psi
Length including Handle:.....	1480mm
Weight:.....	.80Kg

4. OPERATION

4.1. Assemble handle

4.1.1. Attached handle to the handle bracket (2 part) on cylinder set with bolts and nuts provided. fig.1

4.2. Prepare air system

- **WARNING!** Air source must not exceed 200 psi.

4.2.1. Connect a union fitting (sold separately) to the air supply inlet. fig.2

4.2.2. Attach 1/4" NPT coupler (sold separately) to union fitting if desired.

4.2.3. Frequent, but not excessive lubrication is required for best performance. Too much oil will collect inside jack and be expelled during exhaust cycle. An automatic inline oiler is recommended, but oil may be added manually before operation or after approximately 1 hour of continuous use. Pour 1 teaspoon of good quality air tool lubricant into air supply inlet of control valve.

Dirt and water may accumulate inside jack during use. An inline filter/dryer is recommended.

4.2.4. Air Jack/Support Stand is now ready for use.

- **WARNING!** Never use more than one extension with this unit. Using more than one extension causes the load to be lifted beyond the maximum designed safety lifting height, which could cause loss of load.

4.3. Check the jack

4.3.1. Examine the jack for broken or damaged parts. Roll the jack to ensure that it rolls freely and smoothly.

4.3.2. Raise and lower the unloaded saddle throughout the lift range to ensure proper operation before placing any load on the product.

4.3.3. Replace worn or damaged components with Sealey replacement parts only.

4.3.4. Lubricate as instructed in Maintenance Section.

4.4. Lifting

4.4.1. Follow the vehicle manufacturer's recommended guidelines for lifting.

4.4.2. Position vehicle on hard level surface with parking brake selected. Chock wheels at opposite end. When lifting trailers, lower landing gear.

4.4.3. Position the unit under the lift point of the vehicle such that load will be centered on lifting saddle.

4.4.4. Extend post to desired height and insert locking pin through appropriate hole. If necessary, use post extension for additional height. Post extension slides inside post and is held in place with safety pin (ref. parts drawing).

4.4.5. Connect air compressor hose to control valve, then attach to air supply of 200 psi maximum. The unit is now ready to lift.

4.4.6. Press the air control valve lever marked "UP" to raise post until it contacts vehicle lift point. Ensure lift point is secure and centered on lift post saddle.

4.4.7. Press and hold air control valve until desired height has been achieved, insert the other lock pin through the hole in the ram post such that the lock pin will fully engage both sides of the head plate when lowered.

4.4.8. Slowly release the air pressure and make sure the lock pin engages fully into both sides of the low post slot.

4.4.9. Ensure the vehicle is level and stable, then fully discharge air pressure.

4.4.10. Before working around the lifted vehicle, ensure the vehicle is level and stable between the jacks.

- **WARNING!** After lifting, never work on, under or around a load until the post is properly pinned and the air is exhausted. If the air is not exhausted and the jack is not properly pinned, the jack may rise or drop suddenly when a heavy object is removed from or placed on the vehicle.

4.5. Lowering

- **WARNING!** Check that all tools and personnel are clear before lowering load. Maintain control of speed at which load descends at all times.

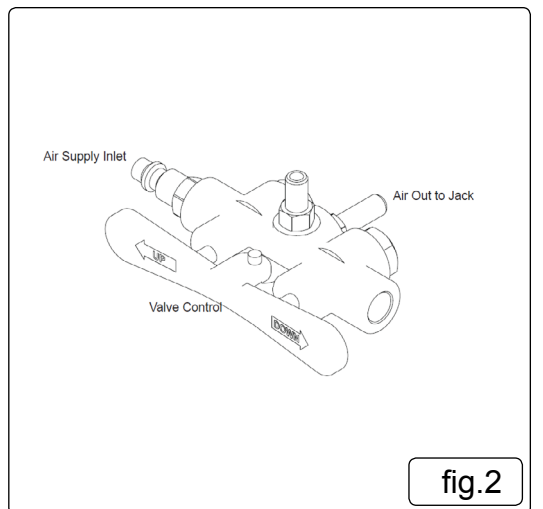
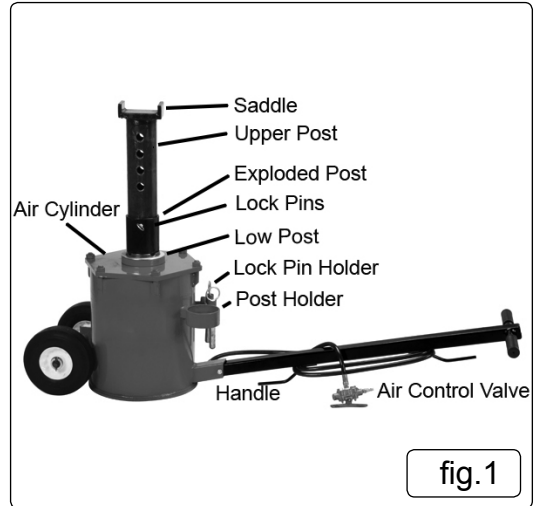
4.5.1. Press the "UP" air control valve lever to release post locking pin.

4.5.2. Ensure the vehicle is still stable, then remove lift post locking pin.

4.5.3. Press the "DOWN" air control lever to exhaust air pressure. Vehicle will gradually lower.

4.5.4. Discharge the air pressure from the jack fully once the vehicle is on the ground.

4.5.5. Ensure saddle is fully lowered, remove jack from under the vehicle and store properly.



5. MAINTENANCE

- 5.1. The Air Jack/Support Stand is best operated with an in-line oiler. If using the jack without an oiler, complete the following steps before each use, or every hour if used continuously:
- 5.2. Disconnect the jack from the air hose.
- 5.3. Apply a few drops of good quality pneumatic tool oil through the air line.
- 5.4. Inspections should be made before each use of jack, checking for abnormal conditions. Regular inspections should be made weekly for daily use and monthly for intermittent use.
- 5.5. Inspect air hose for leaks or kinks. Replace if necessary.
- 5.6. Air control valve should operate freely. Wheels should rotate freely.
- 5.7. The post should extend and retract smoothly throughout its full range.
If jack does not lift smoothly, remove bolts around cylinder cover, remove cover and lift piston assembly to the piston stops. Tilt the assembly to clear the piston stops. Clean and lubricate.
- 5.8. A periodic coating of light lubricating oil to all rotating and sliding portions of the jack will help to prevent rust and assure that the wheels move freely.
- 5.9. Lower the saddle to its lowest position when not in use.
- 5.10. When jack is not in use, tip it forward until it rests on the wheels and use extra support to hold the jack fig.3. This allows trapped water to drain from inside the cylinder.

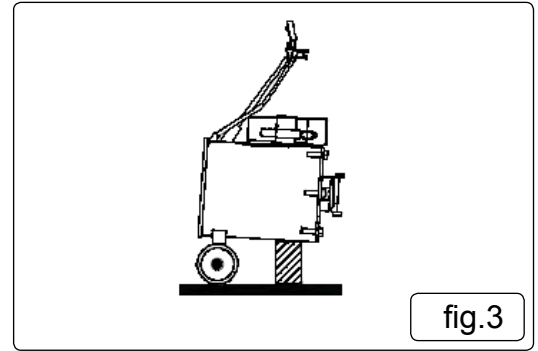


fig.3

6. TROUBLESHOOTING

Symptom	Possible Causes	Corrective Action
Air Jack will not lift load	Inadequate air supply	Ensure adequate air supply
	Overload condition	Use larger capacity jack
	Air line leaks	Locate and seal leaks
Air Jack will not hold load	Locking pin not engaged	Engage locking pin
Air Jack does not lift smoothly	Cylinder requires lubrication	Lubricate cylinder wall



Environmental Protection

Recycle unwanted materials instead of disposing of them as waste. All tools, accessories and packaging should be sorted, taken to a recycling centre and disposed of in a manner which is compatible with the environment. When the product becomes completely unserviceable and requires disposal, drain off any fluids (if applicable) into approved containers and dispose of the product and the fluids according to local regulations.

NOTE: It is our policy to continually improve products and as such we reserve the right to alter data, specifications and component parts without prior notice.

IMPORTANT: No liability is accepted for incorrect use of this product.

WARRANTY: Guarantee is 12 months from purchase date, proof of which will be required for any claim.



Sole UK Distributor, Sealey Group.
Kempson Way, Suffolk Business Park,
Bury St. Edmunds, Suffolk.
IP32 7AR



01284 757500



01284 703534



www.sealey.co.uk



sales@sealey.co.uk