



INSTRUCTIONS FOR:
CORDLESS IMPACT WRENCH 24V 2AH NI-MH
1/2" SQUARE DRIVE 325LB.FT
MODEL No: **CP2400MH**

Thank you for purchasing a Sealey product. Manufactured to a high standard, this product will, if used according to these instructions and maintained properly, give you years of trouble free performance.

IMPORTANT: PLEASE READ THESE INSTRUCTIONS CAREFULLY. NOTE THE SAFE OPERATIONAL REQUIREMENTS, WARNINGS & CAUTIONS. USE THE PRODUCT CORRECTLY AND WITH CARE FOR THE PURPOSE FOR WHICH IT IS INTENDED. FAILURE TO DO SO MAY CAUSE DAMAGE AND/OR PERSONAL INJURY AND WILL INVALIDATE THE WARRANTY. KEEP THESE INSTRUCTIONS SAFE FOR FUTURE USE.



Refer to
Instructions



Wear Eye
Protection



Wear Ear
Protection

1.1. GENERAL SAFETY

- ✓ Follow all workshop safety rules, regulations and conditions when using the wrench.
- ✓ Remove the battery pack from the wrench before servicing or performing any maintenance.
- ✓ Maintain the wrench and battery pack in good condition. Check moving parts for alignment on a regular basis.
- ✓ Replace or repair damaged parts. *Use an authorised service agent and recommended parts only. Unauthorised parts may be dangerous and will invalidate the warranty.*
- ✓ Ensure the wrench is locked before installing the battery pack.
- ✓ Keep the wrench, battery pack and charger clean for optimum performance.
- ✓ Keep the work area clean and tidy and free from unrelated materials. Ensure that there is adequate lighting.
- ✓ Ensure that battery pack is correctly inserted into the wrench handle and latched in place before operating wrench.
- ☐ **WARNING!** When working around vehicle brake systems we recommend that you wear suitable respiratory protection owing to the possible presence of asbestos dust from brake linings.
- ✓ Use only impact sockets which are specifically designed for use with an impact wrench.
- ✓ Avoid unintentional starting.
- ✓ Wear approved safety eye/face shield, ear defenders and hand protection.
- ✓ Remove ill-fitting clothing. Remove ties, watches, rings and other loose jewellery and contain long hair.
- ✓ Maintain correct balance and footing. Ensure the floor is not slippery and wear non-slip shoes.
- ✓ Keep children and unauthorised persons away from the work area.
- x **DO NOT** operate the wrench if any parts are missing as this may cause failure and/or personal injury.
- x **DO NOT** use the wrench unless you have been instructed in its use by a qualified person.
- x **DO NOT** operate the wrench where there are solvent fumes or flammable gases, liquids or solids.
- x **DO NOT** leave the wrench operating unattended.
- x **DO NOT** carry wrench with your finger on the trigger. Keep direction switch in 'locked' position when not in use.
- x **DO NOT** use the wrench for a task it is not designed to perform.
- x **DO NOT** operate the wrench when you are tired or under the influence of alcohol, drugs or intoxicating medication.
- x **DO NOT** get the wrench or battery charger wet or use in damp or wet locations.
- ✓ Keep wrench and charger in the case and store in a safe, dry, childproof area where the temperature will not exceed 40°C (104°F).

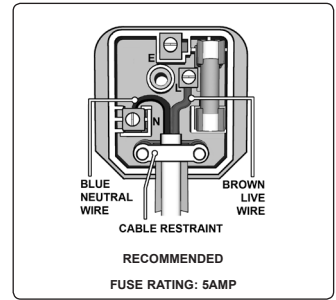
1.2. BATTERY SAFETY INSTRUCTIONS

- ✓ Charge the battery pack prior to first use. The battery pack will have been shipped in a low charge state.
- ✓ Use only the charger provided to charge the battery pack.
- x **DO NOT** charge the battery pack when room temperature is below 10°C (50°F) or above 40°C (104°F).
- x **DO NOT** attempt recharging the pack by means of an engine generator or a DC power source.
- x **DO NOT** short-circuit the battery pack by touching both terminals at the same time with a metal object, or your fingers etc.
- x **DO NOT** store battery pack (or wrench) in locations where the temperature may exceed 40°C (104°F) e.g. in outside sheds, above heaters etc.

1.3. MAINS POWER ELECTRICAL SAFETY (In relation to the battery charger)

- ☐ **WARNING! It is the responsibility of the owner and the operator to read, understand and comply with the following:**
You must check all electrical products, before use, to ensure that they are safe. You must inspect power cables, plugs, sockets and any other connectors for wear or damage. You must ensure the risk of electric shock is minimised by the installation of appropriate safety devices. A Residual Current Circuit Breaker (RCCB) should be incorporated in the main distribution board. We also recommend that a Residual Current Device (RCD) be used. It is particularly important to use an RCD with portable products that are plugged into a supply that is not protected by an RCCB. If in any doubt consult a qualified electrician. You may obtain a Residual Current Device by contacting your Sealey stockist. **You must** also read and understand the following instructions concerning electrical safety.
- 1.3.1. The **Electricity At Work Act 1989** requires all portable electrical appliances, if used on business premises, to be tested by a qualified electrician, using a Portable Appliance Tester (PAT), at least once a year.
- 1.3.2. The **Health & Safety at Work Act 1974** makes owners of electrical appliances responsible for the safe condition of those appliances and the safety of the appliance operator. **If in any doubt about electrical safety, contact a qualified electrician.**
- 1.3.3. Ensure that the insulation on all cables and on the appliance is safe before connecting it to the power supply. See 1.3.1 and 1.3.2 and use a Portable Appliance Tester.
- 1.3.4. Ensure that cables are always protected against short circuit and overload.
- 1.3.5. Regularly inspect power supply cables and plugs for wear or damage and check all connections to ensure none is loose.
- 1.3.6. **Important:** Ensure that the voltage marked on the appliance matches the power supply to be used and that the plug is fitted with the correct fuse - see fuse rating below right.
- 1.3.7. **DO NOT** pull or carry the appliance by the power cable.

- 1.3.8. **DO NOT** pull the plug from the socket by the cable.
- 1.3.9. **DO NOT** use worn or damaged cables, plugs or connectors. Immediately have any faulty item repaired or replaced by a qualified electrician. When an ASTA/BS approved UK 3 pin plug is damaged, cut the cable just above the plug and dispose of the plug safely.
- Ensure that the double insulated charger is correctly connected via a three-pin plug, as follows:
- Connect the Brown live wire to live terminal 'L'.
 - Connect the Blue neutral wire to the neutral terminal 'N'.
 - After wiring, check that there are no bare wires, that all wires have been correctly connected, that the cable outer insulation extends past the cable clamp and that the clamp is tight. Note that the earth pin 'E' remains unconnected.



- 1.3.10. If an extension reel is used it should be fully unwound before connection. A reel with an RCD fitted is preferred since any appliance plugged into it will be protected. The cable core section is important and should be at least 1.5mm², but to be absolutely sure that the capacity of the reel is suitable for this product and for others which may be used in the other output sockets, we recommend the use of 2.5mm² section cable. If extension reel is to be used outdoors, ensure it is marked for outdoor use.

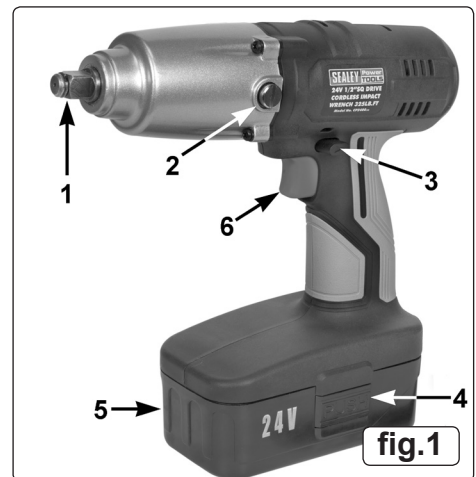
1.4. BATTERY CHARGER SAFETY INSTRUCTIONS

- ❑ **WARNING! DO NOT** attempt to charge any battery other than that supplied for the wrench. Other types of batteries may explode!
- ✓ All mains electrical supply safety features must be followed as described in 1.3 above.
- ✓ Disconnect the charger from the mains supply when not in use.
- x **DO NOT** charge battery if room temperature is below 10°C (50°F) or above 40°C (104°F).
- x **DO NOT** expose the charger to damp or wet conditions.
- x **DO NOT** pull or carry the charger by the power lead.
- x **DO NOT** operate the charger if it has been dropped, or has received a sharp knock, or is damaged. Take the charger to an authorised agent for repair or obtain a replacement.
- x **DO NOT** dismantle the charger as this may cause damage and/or personal injury and will invalidate the warranty.
- x **DO NOT** insert foreign objects or material into the hole reserved for the battery pack.
- x **DO NOT** recharge a second battery pack immediately after charging the first. Consecutive charging will overheat the charger. Allow the unit to cool for 15 minutes before charging the next pack.
- x **DO NOT** attempt to connect two chargers together.
- ✓ Store the charger in the same manner as the battery pack in 1.2.

2. INTRODUCTION & SPECIFICATION

Powerful, compact, cordless impact wrench removes wheel nuts on the roadside with no compressor or mains source required. Produces torque in excess of 441Nm (325lb.ft). Featuring a variable speed switch for added control. Forward and reverse control integrated into housing for ease of use. Superbly balanced tool with side handle and vibration reducing grip. Suitable for workshop, bodyshop and tyre shop applications with no trailing cables causing hazards. Includes 24V 2Ah Ni-MH battery pack and 80 minute mains charger.

Model No: CP2400MH
Battery: 24V 2Ah Ni-MH
Drive: 1/2" Sq No Load Speed:
No load speed: 0-2000rpm
Impact Rate: 0-2600bpm
Maximum Torque: 441Nm(325lb.ft)
Replacement Battery: CP2400MHBP
Weight: 3.6kg



❑ IMPORTANT WARRANTY INFORMATION:

The battery pack fitted to this cordless tool is considered to be a consumable item and its ability to accept charge will reduce over time. We will guarantee it against mechanical and electrical defect for a period of one year - this does not cover fair wear and tear. If the battery is not properly charged before first use, or regularly conditioned, its capacity will diminish. Under these circumstances we will not replace the battery pack even if it is less than one year old. Remove battery pack from case and charge as below:

3.1. CHARGING THE BATTERY PACK.

- 3.1.1. Remove the battery pack (fig.1.5) from the wrench, by depressing the two side release clips (fig.1.4).

❑ WARNING! DO NOT touch metal terminals.

- 3.1.2. Place wrench in carry case and remove the battery charger.
- 3.1.3. Connect the charger to the mains electricity supply. The green LED will light.
- 3.1.4. The battery pack and charger have the positive (+) and negative (-) terminals marked. Align the correct terminals and insert the battery into slot (fig.2).

NOTE: The battery pack is designed so that it will only enter the charger unit the correct way. When placed in the charger, a very slight downward pressure will seat the pack firmly into the power terminals.

- 3.1.5. When inserted correctly, the red charge light will flash whilst the battery is charging.
- 3.1.6. When the charge is complete the red LED will show a steady aspect along with the green LED. The battery pack is now ready for use.

NOTE: When new, the battery pack will have been shipped in a low charge state. It will take longer to charge initially, and several subsequent charges may also take a little longer than when the battery pack reaches its optimum performance. Afterwards, normal charging time is approximately 80minutes

- 3.1.7. After removing the battery, disconnect the charger from the mains supply and store in the carry case.



☐ **WARNING! Ensure that you read, understand and apply the safety instructions before use.**

3.2. USING THE WRENCH.

- 3.2.1. Use only impact sockets which are specifically designed for use with an impact wrench. The use of normal chrome vanadium sockets is dangerous, since these are more brittle and are liable to shatter.
- 3.2.2. Fit the socket to the wrench by snapping it onto the square drive (fig.1.1).
- 3.2.3. Fit the battery pack to the wrench by aligning the tongue on the battery with the groove in the housing and slide it into place. Ensure that the battery pack is firmly located, you will hear an audible click when it has locked into position.
- 3.2.4. Select the required direction of rotation. To change direction, push switch (fig.1.3) to the left or right. Familiarise yourself with this operation before use. **DO NOT** attempt to change the direction of rotation whilst the trigger (fig.1.6) is depressed. When the wrench is not in use, use the same switch to lock off the trigger by placing the switch in the middle position.
- 3.2.5. When tightening, release the trigger as soon as the impact sound is heard. Take care not to over-torque small fixings.

Note: On critical fixings, final tightening should be carried out using a torque wrench, setting it according to the product or the vehicle manufacturer's specifications.

4. MAINTENANCE

4.1. CLEANING.

Keep the outer case of the wrench clean and free from grease. **DO NOT** wash with water or use solvents or abrasives, use a damp cloth. For any other service or maintenance, contact your authorised service agent.

4.2. LUBRICATION.

Periodically (or If the wrench has not been used for some time), remove the lubrication screw (fig.1.2) and inject some grease into the impact mechanism, then replace the lubrication screw. **DO NOT** overfill - a small amount each time should be sufficient.

Environmental Protection.



Recycle unwanted materials instead of disposing of them as waste. All tools, accessories and packaging should be sorted, taken to a recycle centre and disposed of in a manner which is compatible with the environment.

WEEE Regulations.

Dispose of this product at the end of its working life in compliance with the EU Directive on Waste Electrical and Electronic Equipment. When the product is no longer required, it must be disposed of in an environmentally protective way. Contact your local solid waste authority for recycling information.



Rechargeable battery contains Nickel metal hydride (Ni-MH). It is recyclable. Take to your local recycling centre to be disposed of properly. Do not incinerate battery as it may explode when exposed to fire. Do not attempt to open battery pack.

Battery Removal.

- For battery removal refer to section 3.1.1.
- **Dispose of batteries according to local authority guidelines.**

Under the Waste Batteries and Accumulators Regulations 2009, Jack Sealey Ltd are required to inform potential purchasers of products containing batteries (as defined within these regulations), that they are registered with Valpak's registered compliance scheme. Jack Sealey Ltd's Batteries Producer Registration Number (BPRN) is BPRN00705

NOTE: It is our policy to improve products continually and as such we reserve the right to alter data, specifications and component parts without prior notice.

IMPORTANT: No liability is accepted for incorrect use of this product.

WARRANTY: Guarantee is 12 months from purchase date, proof of which will be required for any claim.



Sole UK Distributor, Sealey Group,
Kempson Way, Suffolk Business Park,
Bury St. Edmunds, Suffolk,
IP32 7AR



01284 757500



01284 703534



www.sealey.co.uk



sales@sealey.co.uk

WARNING! – Risk of Hand Arm Vibration Injury.

This tool may cause Hand Arm Vibration Syndrome if its use is not managed adequately.

This tool is subject to the vibration testing section of the Machinery Directive 2006/42/EC.

This tool is to be operated in accordance with these instructions.

Measured vibration emission value (a): 13.48m/s²

Uncertainty value (k): 1.5m/s²

Please note that the application of the tool to a sole specialist task may produce a different average vibration emission. We recommend that a specific evaluation of the vibration emission is conducted prior to commencing with a specialist task.

A health and safety assessment by the user (or employer) will need to be carried out to determine the suitable duration of use for each tool.

NB: Stated Vibration Emission values are type-test values and are intended to be typical.

Whilst in use, the actual value will vary considerably from and depend on many factors.

Such factors include; the operator, the task and the inserted tool or consumable.

NB: ensure that the length of leader hoses is sufficient to allow unrestricted use, as this also helps to reduce vibration.

The state of maintenance of the tool itself is also an important factor, a poorly maintained tool will also increase the risk of Hand Arm Vibration Syndrome.

Health surveillance.

We recommend a programme of health surveillance to detect early symptoms of vibration injury so that management procedures can be modified accordingly.

Personal protective equipment.

We are not aware of any personal protective equipment (PPE) that provides protection against vibration injury that may result from the uncontrolled use of this tool. We recommend a sufficient supply of clothing (including gloves) to enable the operator to remain warm and dry and maintain good blood circulation in fingers etc. Please note that the most effective protection is prevention, please refer to the Correct Use and Maintenance section in these instructions. Guidance relating to the management of hand arm vibration can be found on the HSE website www.hse.gov.uk - Hand-Arm Vibration at Work.