

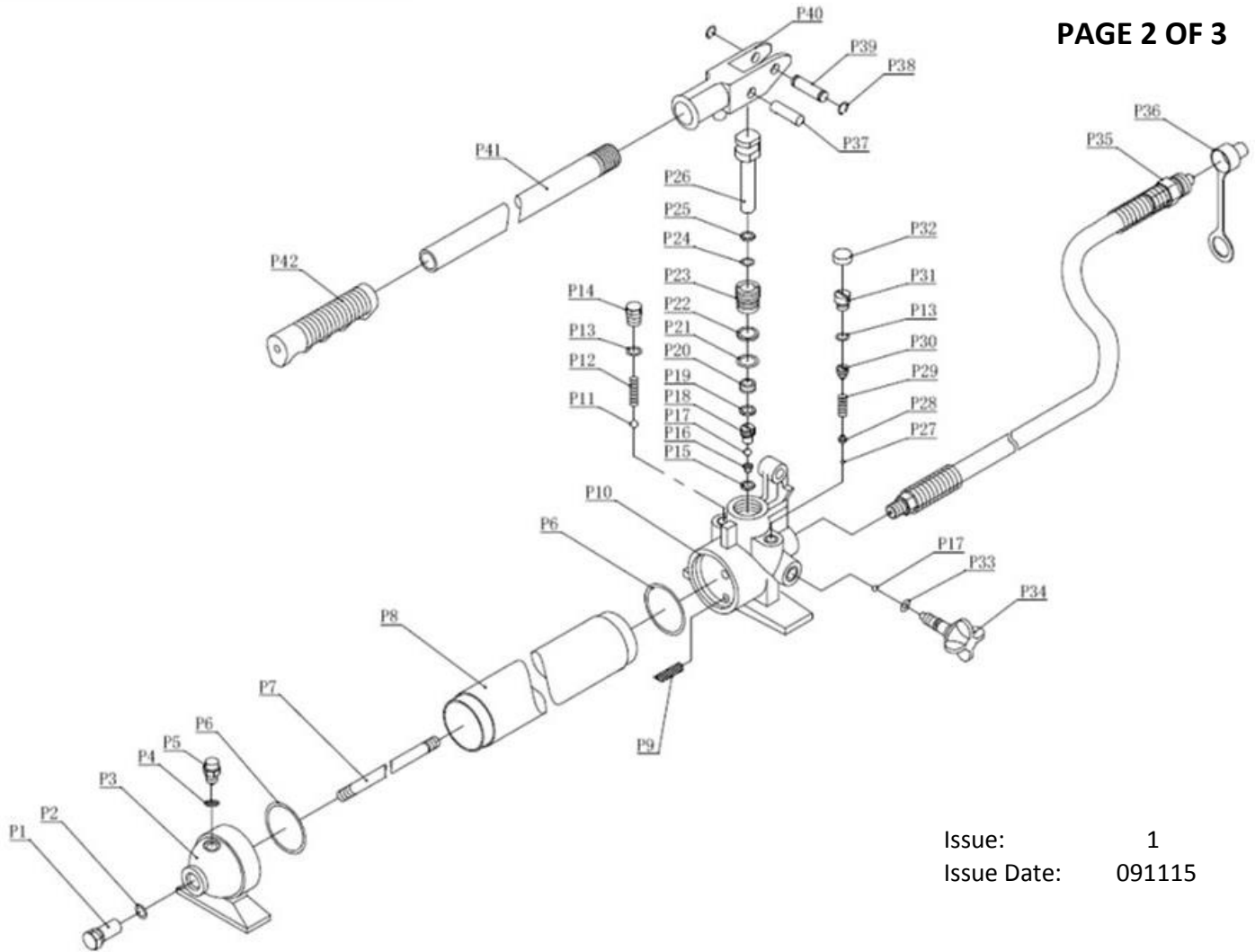
Issue: 1
 Issue Date: 091115

ITEM	PART NO	DESCRIPTION
1	YC10B.V2-01	PUMP
2	YC10B.V2-02	EXTENSION TUBE (LONG)
3	YC10B.V2-03	SERRATED SADDLE (A)
4	YC10B.V2-04	SERRATED SADDLE (B)
5	YC10B.V2-05	RING NUT
6	YC10B.V2-06	EXTENSION TUBE (SHORT)
7	YC10B.V2-07	ARBOR PLATE
8	YC10B.V2-08	RAM ASS'Y
9	YC10B.V2-09	FRAME

PARTS FOR:

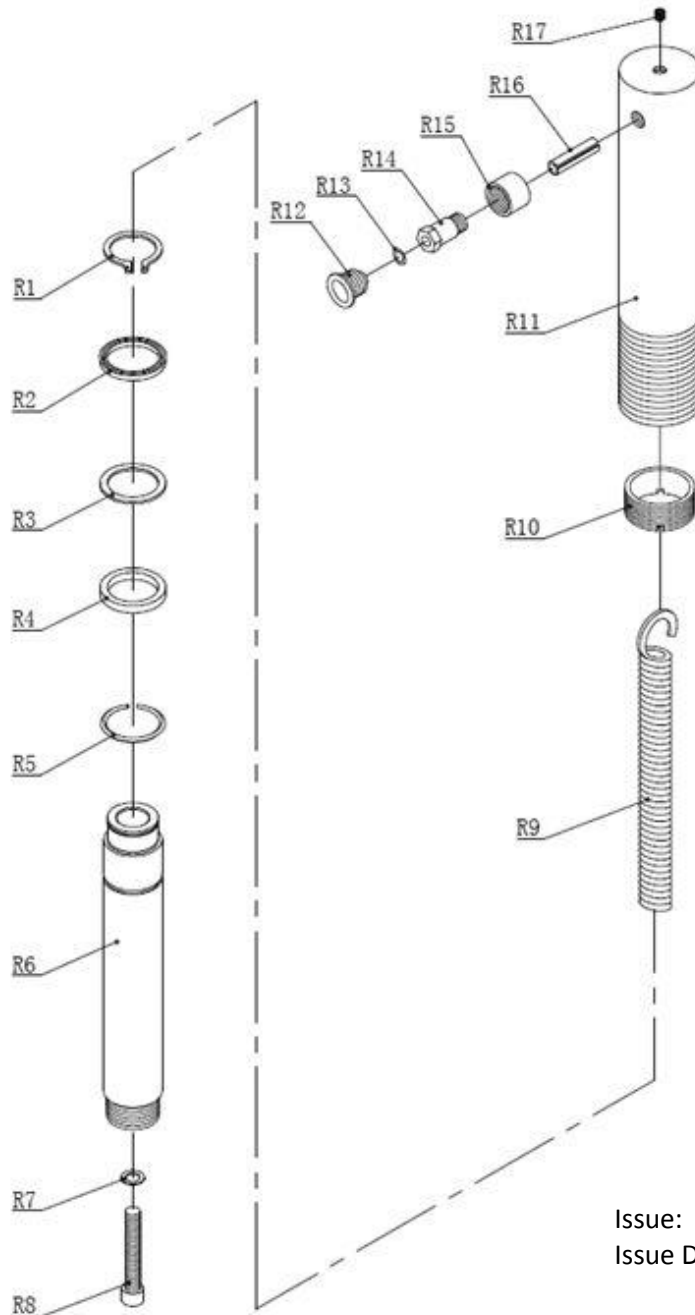
HYDRAULIC PRESS 10tonne BENCH 'C' TYPE

MODEL : YC10B.V2



Issue: 1
Issue Date: 091115

ITEM	PART NO	DESCRIPTION	ITEM	PART NO	DESCRIPTION
P1	YC10B.V2-P01	SCREW	P22	YC10B.V2-P22	NYLON WASHER
P2	YC10B.V2-P02	O-RING	P23	YC10B.V2-P23	BASE FOR PUMP CORE
P3	YC10B.V2-P03	END BASE	P24	YC10B.V2-P24	O-RING
P4	YC10B.V2-P04	NYLON WASHER	P25	YC10B.V2-P25	NYLON WASHER
P5	YC10B.V2-P05	SCREW	P26	YC10B.V2-P26	PUMP CORE
P6	YC10B.V2-P06	O-RING	P27	YC10B.V2-P27	STEEL BALL
P7	YC10B.V2-P07	BAR	P28	YC10B.V2-P28	BASE FOR STEEL BALL
P8	YC10B.V2-P08	OIL TANK	P29	YC10B.V2-P29	SPRING
P9	YC10B.V2-P09	FILTER	P30	YC10B.V2-P30	SCREW
P10	YC10B.V2-P10	PUMP BODY	P31	YC10B.V2-P31	SCREW
P11	YC10B.V2-P11	STEEL BALL	P32	YC10B.V2-P32	CAP
P12	YC10B.V2-P12	SPRING	P33	YC10B.V2-P33	O-RING
P13	YC10B.V2-P13	O-RING	P34	YC10B.V2-P34	RELEASE VALVE
P14	YC10B.V2-P14	SCREW	P35	YC10B.V2-P35	OIL HOSE
P15	YC10B.V2-P15	NYLON WASHER	P36	YC10B.V2-P36	DUST CAP
P16	YC10B.V2-P16	BASE FOR VALVE	P37	YC10B.V2-P37	PIN
P17	YC10B.V2-P17	STEEL BALL	P38	YC10B.V2-P38	RETAINER RING
P18	YC10B.V2-P18	VALVE COVER	P39	YC10B.V2-P39	PIN
P19	YC10B.V2-P19	NYLON WASHER	P40	YC10B.V2-P40	HANDLE BASE
P20	YC10B.V2-P20	U-RING	P41	YC10B.V2-P41	HANDLE
P21	YC10B.V2-P21	O-RING	P42	YC10B.V2-P42	HANDLE GRIP



Issue: 1
 Issue Date: 091115

ITEM	PART NO	DESCRIPTION	ITEM	PART NO	DESCRIPTION
R1	YC10B.V2-R01	RETAINING RING	R10	YC10B.V2-R10	LIMITED RING
R2	YC10B.V2-R02	SEAL RING	R11	YC10B.V2-R11	RAM
R3	YC10B.V2-R03	PTFE RING	R12	YC10B.V2-R12	DUST COVER
R4	YC10B.V2-R04	WASHER	R13	YC10B.V2-R13	O-RING
R5	YC10B.V2-R05	LIMITED RING	R14	YC10B.V2-R14	CONNECTOR
R6	YC10B.V2-R06	PISTON	R15	YC10B.V2-R15	NUT
R7	YC10B.V2-R07	COPPER WASHER	R16	YC10B.V2-R16	LOCK PIN
R8	YC10B.V2-R08	SCREW	R17	YC10B.V2-R17	SCREW
R9	YC10B.V2-R09	SPRING			