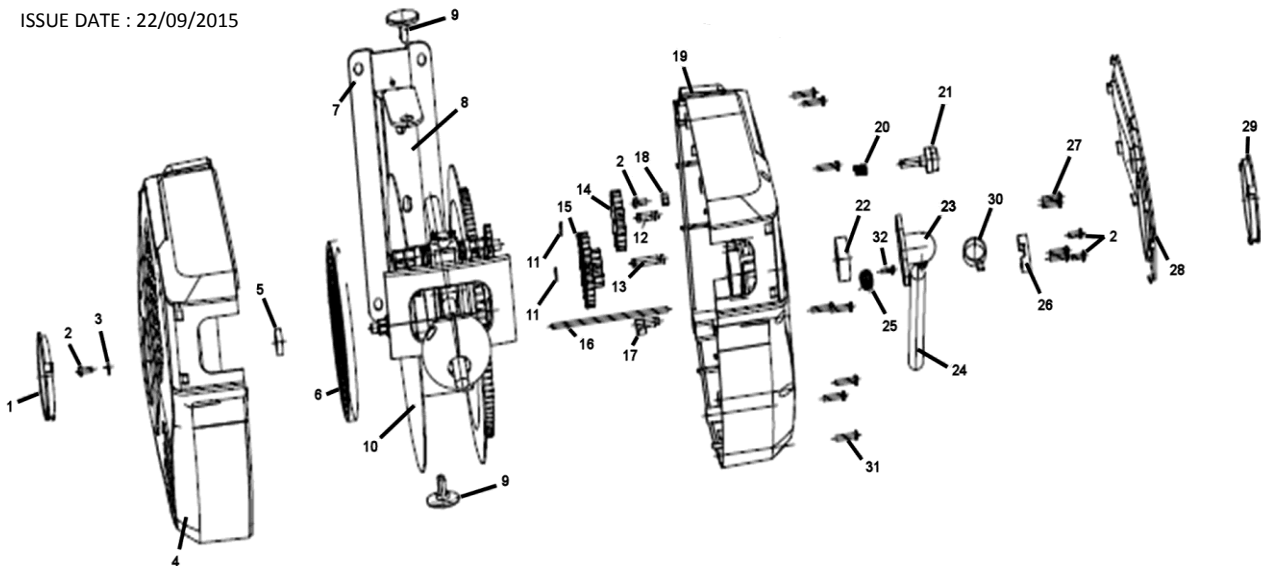
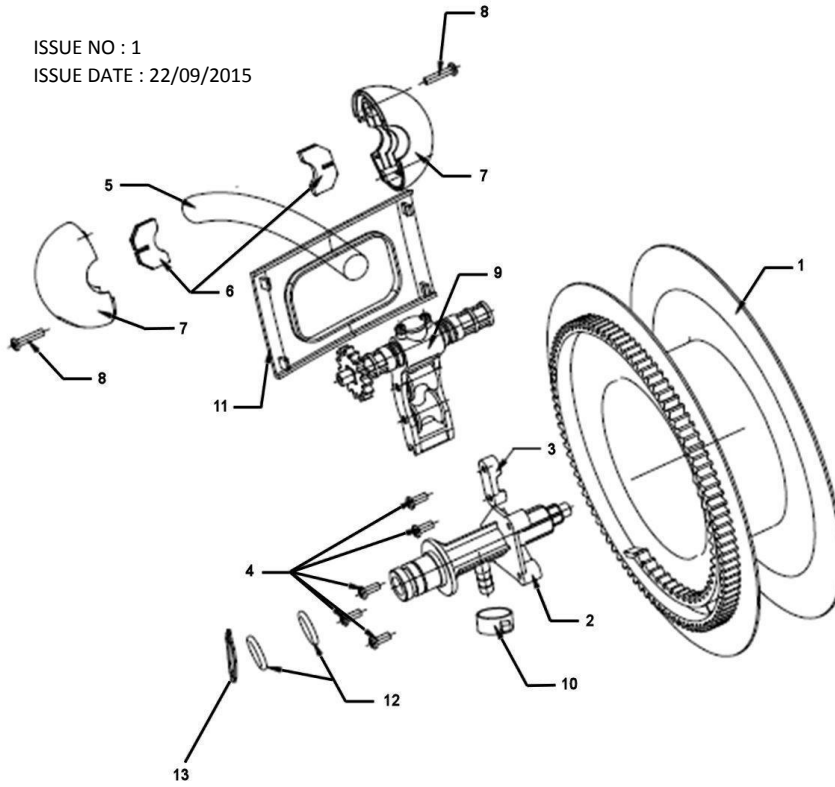


ISSUE NO : 1
 ISSUE DATE : 22/09/2015

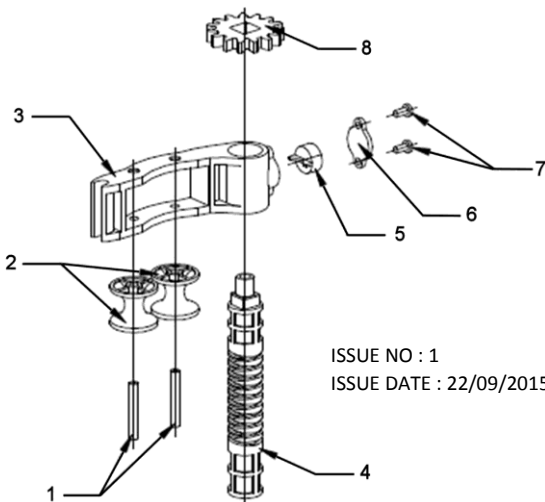


ITEM	PART NO	DESCRIPTION	ITEM	PART NO	DESCRIPTION
1	SA821.V2-01	SIDE COVER (LEFT)	18	SA821.V2-18	LOCK NUT
2	SA821.V2-02	SCREW ST4 X 10	19	SA821.V2-19	RIGHT CASING ASSEMBLY
3	SA821.V2-03	WASHER	20	SA821.V2-20	SMALL SPRING
4	SA821.V2-04	LEFT CASING ASSEMBLY	21	SA821.V2-21	KNOB
5	SA821.V2-05	BEARING	22	SA821.V2-22	BEARING
6	SA821.V2-06	MAIN SPRING	23	SA821.V2-23	HOSE INLET BRACKET
7	SA821.V2-07	BRACKET SUPPORT	24	SA821.V2-24	INLET HOSE
8	SA821.V2-08	BRACKET	25	SA821.V2-25	PAWL SPRING
9	SA821.V2-09	BRACKET LOCK	26	SA821.V2-26	INLET HOSE BRACKET
10	SA821.V2-10	DRUM ASSEMBLY	27	SA821.V2-27	SCREW ST4 X 10
11	SA821.V2-11	SNAP RING	28	SA821.V2-28	SIDE COVER
12	SA821.V2-12	POSITIONING PIN (A)	29	SA821.V2-29	RIGHT SIDE COVER
13	SA821.V2-13	POSITIONING PIN (B)	30	SA821.V2-30	HOSE CLIP
14	SA821.V2-14	GEAR (SMALL)	31	SA821.V2-31	SCREW ST4 X 18
15	SA821.V2-15	GEAR (BIG)	32	SA821.V2-32	SCREW ST3 X 10
16	SA821.V2-16	GUIDE PIVOT	33	SA821.V2-33	HOSE GUIDE SYSTEM
17	SA821.V2-17	PAWL			

ISSUE NO : 1
 ISSUE DATE : 22/09/2015



ITEM	PART NO	DESCRIPTION	ITEM	PART NO	DESCRIPTION
1	SA821V2.02-01	DRUM	8	SA821V2.02-08	SCREW ST4X18
2	SA821V2.02-02	DRUM SUPPORT	9	SA821V2.02-09	HOSE GUIDE SYSTEM
3	SA821V2.02-03	HOSE BRACKET	10	SA821V2.02-10	HOSE CLIP
4	SA821V2.02-04	SCREW ST4X10	11	SA821V2.02-11	FRONT COVER
5	SA821V2.02-05	MAIN HOSE 10mtr	12	SA821V2.02-12	SEAL RING
6	SA821V2.02-06	BUSHING	13	SA821V2.02-13	SNAP RING
7	SA821V2.02-07	STOP BALL			



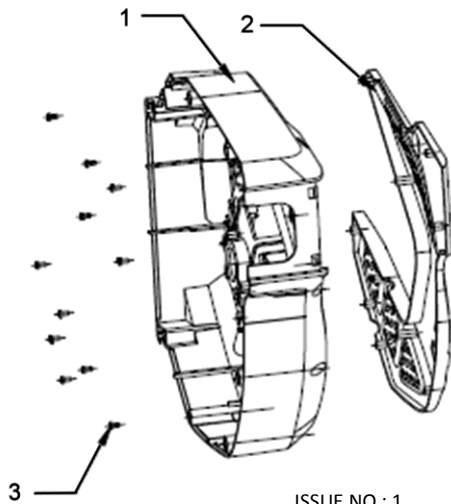
ISSUE NO : 1
 ISSUE DATE : 22/09/2015

ITEM	PART NO	DESCRIPTION
1	SA821V2.03-01	HOSE GUIDE SEAT
2	SA821V2.03-02	GUIDE ROLLER
3	SA821V2.03-03	RIVET
4	SA821V2.03-04	THREADED GUIDE
5	SA821V2.03-05	HOSE GUIDE SEAT BLOCK
6	SA821V2.03-06	COVERING PLATE FOR SEAT BLOCK
7	SA821V2.03-07	SCREW ST3X5
8	SA821V2.03-08	GEAR WHEEL FOR THREADED GUIDE



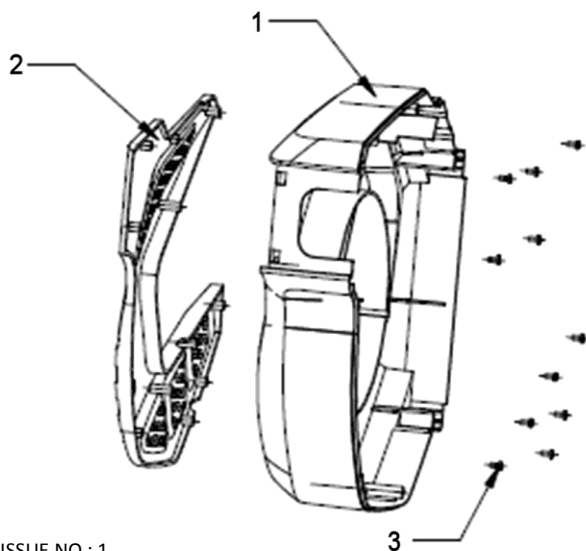
PARTS FOR :
AIR HOSE REEL AUTO REWIND CONTROL 10mtr
Ø8mm ID – PU HOSE + C41
MODEL: SA821.V2

3 OF 3



ISSUE NO : 1
ISSUE DATE : 22/09/2015

ITEM	PART NO	DESCRIPTION
1	SA821V2.04-01	RIGHT CASING
2	SA821V2.04-02	RIGHT OUTSIDE CASING
3	SA821V2.04-03	SCREW ST3X6



ISSUE NO : 1
ISSUE DATE : 22/09/2015

ITEM	PART NO	DESCRIPTION
1	SA821V2.05-01	LEFT CASING
2	SA821V2.05-02	LEFT OUTSIDE CASING
3	SA821V2.05-03	SCREW ST3X6



Sole UK Distributor,
Sealey Group, Kempson Way,
Suffolk Business Park,
Bury St Edmunds, Suffolk, IP32 7AR

01284 757500
 01284 703534

www.sealey.co.uk
 sales@sealey.co.uk