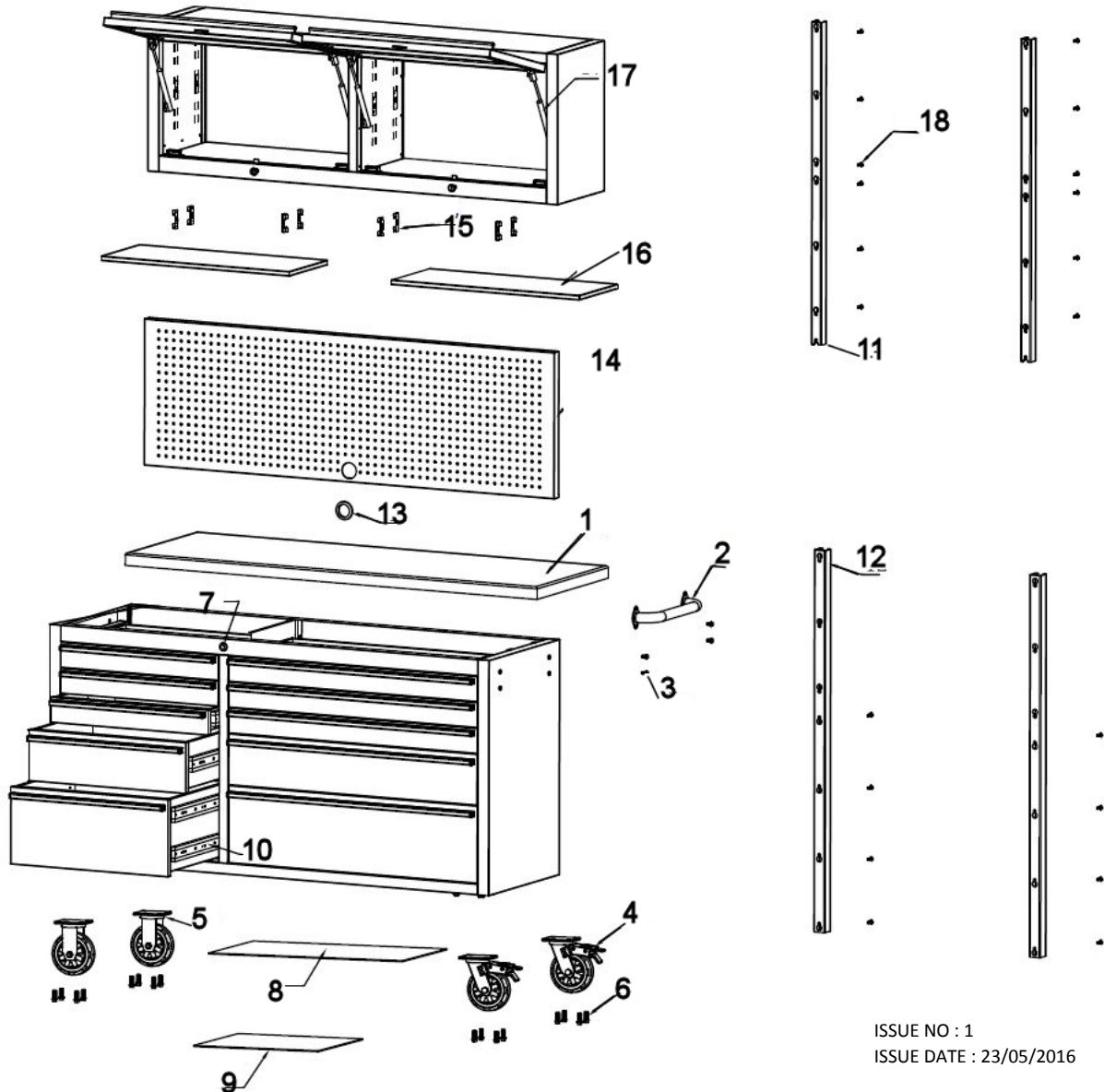




**PARTS FOR :**  
**MOBILE STAINLESS STEEL TOOL CABINET 10 DRAWER**  
**WITH BLACKBOARD & 2 WALL CUPBOARDS**  
**MODELS: AP5520SS**



ISSUE NO : 1  
 ISSUE DATE : 23/05/2016

ITEM	PART NO	DESCRIPTION	ITEM	PART NO	DESCRIPTION
1	AP5520SS.01	WOODERN TOP	10	AP5520SS.10	BEARING SLIDE SET
2	AP5520SS.02	SIDE HANDLE	11	AP5520SS.11	UPPER RAIL
3	AP5520SS.03	SIDE HANDLE BOLT	12	AP5520SS.12	LOWER RAIL
4	AP5520SS.04	SWIVEL CASTOR (WITH BRAKE)	13	AP5520SS.13	GROMMET
5	AP5520SS.05	RIGID CASTOR	14	AP5520SS.14	PEGBOARD
6	AP5520SS.06	HEX BOLT 3/8"x25mm	15	AP5520SS.15	SHELF HOOK
7	AP5520SS.07	LOCK & KEY	16	AP5520SS.16	UPPER CABINET PLATE
8	AP5520SS.08	MIDDLE DRAWER LINER	17	AP5520SS.17	GAS STRUT
9	AP5520SS.09	LEFT DRAWER LINER	18	AP5520SS.18	HEX BOLT 1/4"x1/4mm



Sole UK Distributor,  
 Sealey Group, Kempson Way,  
 Suffolk Business Park,  
 Bury St Edmunds, Suffolk, IP32 7AR

01284 757500  
 01284 703534

[www.sealey.co.uk](http://www.sealey.co.uk)  
[sales@sealey.co.uk](mailto:sales@sealey.co.uk)