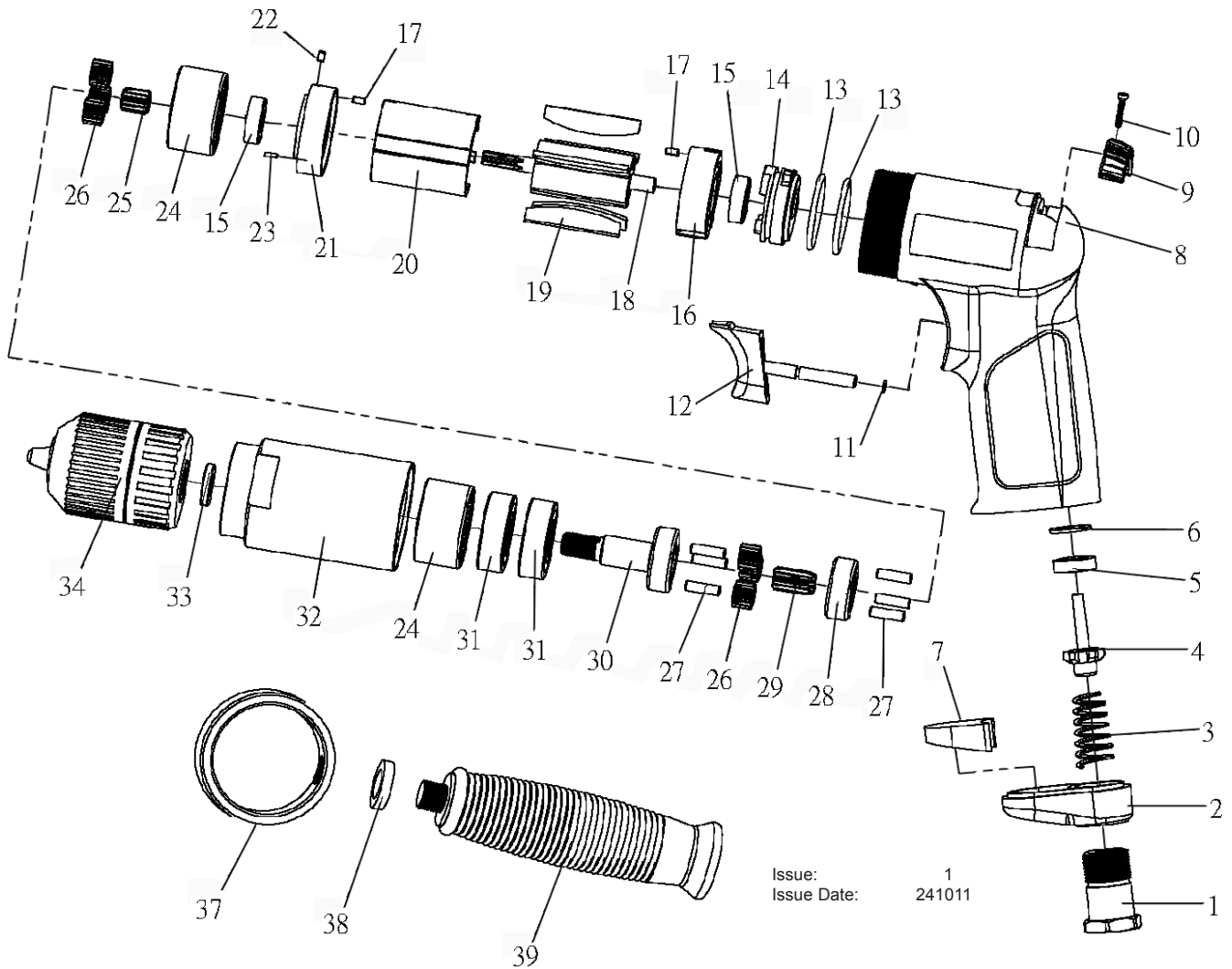


PARTS FOR:
AIR PISTOL DRILL WITH 13mm KEYLESS CHUCK COMPOSITE PREMIER
MODEL: SA621.V2



Issue: 1
 Issue Date: 241011

ITEM	PART NO	DESCRIPTION	ITEM	PART NO	DESCRIPTION
1	SA621.V2-01	INLET BUSHING	20	SA621.V2-20	CYLINDER
2	SA621.V2-02	DEFLECTOR	21	SA621.V2-21	FRONT PLATE
3	SA621.V2-03	VALVE SPRING	22	SA621.V2-22	PIN (2.5x4)
4	SA621.V2-04	VALVE	23	SA621.V2-23	PIN (1.5x4.8)
5	SA621.V2-05	VALVE SEAT	24	SA621.V2-24	INTERNAL GEAR
6	SA621.V2-06	SPACER	25	SA621.V2-25	PINION GEAR
7	SA621.V2-07	SILENCER	26	SA621.V2-26	IDLER GEAR
8	SA621.V2-08	HOUSING	27	SA621.V2-27	PIN (4x13.8)
9	SA621.V2-09	REVERSE VALVE LEVER	28	SA621.V2-28	REDUCTION SPINDLE
10	SA621.V2-10	TAPING SCREW (2.3x12)	29	SA621.V2-29	REDUCTION GEAR
11	SA621.V2-11	O-RING (3x1)	30	SA621.V2-30	WORK SPINDLE
12	SA621.V2-12	TRIGGER	31	SA621.V2-31	BEARING (6201ZZ)
13	SA621.V2-13	O-RING (27 x 2)	32	SA621.V2-32	GEAR HOUSING
14	SA621.V2-14	VALVE BODY	33	SA621.V2-33	CHUCK SPACER
15	SA621.V2-15	BEARING (626)	34	SA621.V2-34	KEYLESS CHUCK (1/2")
16	SA621.V2-16	REAR PLATE	37	SA621.V2-37	CLAMP RING
17	SA621.V2-17	SPRING PIN	38	SA621.V2-38	RUBBER GASKET
18	SA621.V2-18	ROTOR	39	SA621.V2-39	SIDE HANDLE
19	SA621.V2-19	ROTOR BLADE			

NOTE: It is our policy to continually improve products and as such we reserve the right to alter data, specifications and component parts without prior notice.

IMPORTANT: No liability is accepted for incorrect use of product.

WARRANTY: Guarantee is 12 months from purchase date, proof of which will be required for any claim.

INFORMATION: For a copy of our latest catalogue and promotions call us on 01284 757525 and leave your full name and address, including postcode.