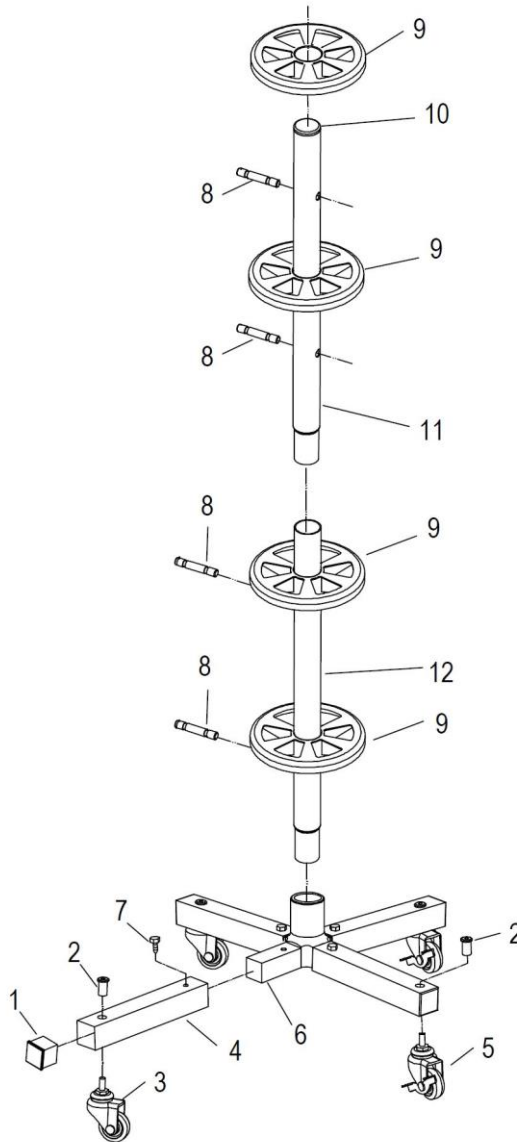




**PARTS FOR :**  
WHEEL STORAGE TROLLEY  
100KG CAPACITY  
**MODELS: STR004.V2**

ISSUE NO : 1  
ISSUE DATE : 10/02/16



ITEMS	PART NO	DESCRIPTION
1	STR004.V2-01	END CAP (SQUARE)
2	STR004.V2-02	CASTOR WHEEL NUT
3	STR004.V2-03	CASTOR WHEEL (w/o BRAKE)
4	STR004.V2-04	BASE LEG
5	STR004.V2-05	CASTOR WHEEL (c/w BRAKE)
6	STR004.V2-06	BASE
7	STR004.V2-07	SELF TAPPING SCREW
8	STR004.V2-08	SUPPORT PIN
9	STR004.V2-09	PROTECTIVE SUPPORT
10	STR004.V2-10	END PLUG (ROUND)
11	STR004.V2-11	UPRIGHT TUBE (UPPER)
12	STR004.V2-12	UPRIGHT TUBE (LOWER)



Sole UK Distributor,  
Sealey Group, Kempson Way,  
Suffolk Business Park,  
Bury St Edmunds, Suffolk, IP32 7AR

01284 757500  
 01284 703534

[www.sealey.co.uk](http://www.sealey.co.uk)  
 [sales@sealey.co.uk](mailto:sales@sealey.co.uk)