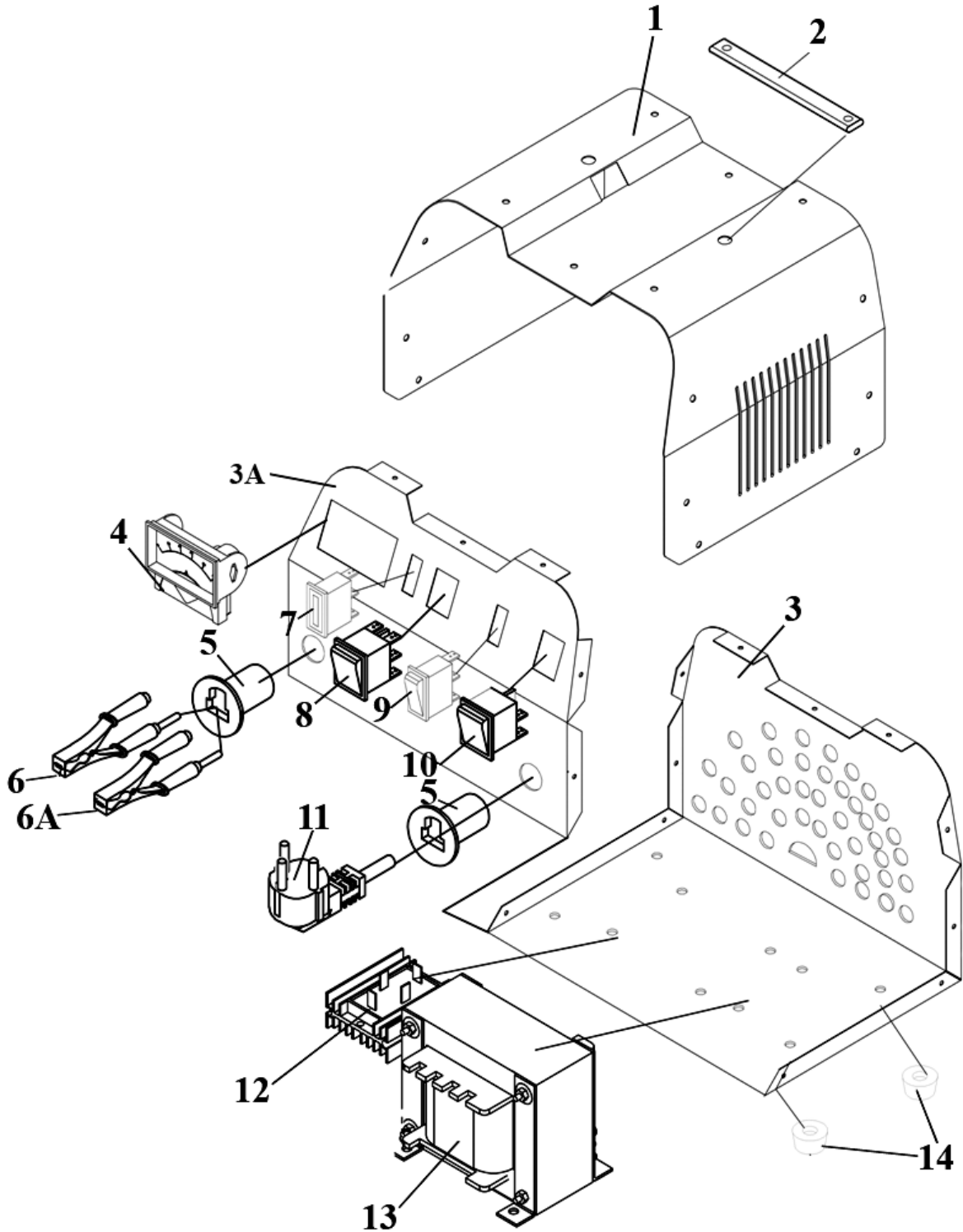




PARTS FOR :
**BATTERY CHARGER 8AMP / 11AMP / 14AMP / 16AMP / 19AMP / 28AMP
12/24V 230V**
MODEL : CHARGE106.V2 / CHARGE107.V2 / CHARGE110.V2 /
CHARGE112.V2 / CHARGE115.V2 / CHARGE124.V2



ISSUE : 1
ISSUE DATE : 31/01/14

NOTE: It is our policy to continually improve products and as such we reserve the right to alter data, specifications and component parts without prior notice.

IMPORTANT: No liability is accepted for incorrect use of product.

WARRANTY: Guarantee is 12 months from purchase date, proof of which will be required for any claim.

INFORMATION: For a copy of our latest catalogue and promotions call us on 01284 757525 and leave your full name and address, including postcode.



Sole UK Distributor,
Sealey Group, Kempson Way,
Suffolk Business Park,
Bury St Edmunds, Suffolk, IP32 7AR



01284 757500

01284 703534



www.sealey.co.uk

sales@sealey.co.uk



PARTS FOR :

**BATTERY CHARGER 8AMP / 11AMP / 14AMP / 16AMP / 19AMP / 28AMP
12/24V 230V**

**MODEL : CHARGE106.V2 / CHARGE107.V2 / CHARGE110.V2 /
CHARGE112.V2 / CHARGE115.V2 / CHARGE124.V2**

CHARGE106.V2 PARTS LIST

ITEM	PART NO	DESCRIPTION
1	CHARGE106V201	TOP COVER
2	CHARGE106V202	HANDLE BELT
3	CHARGE106V203	BOTTOM PANEL
3A	CH106V2.03A	FRONT PANEL
4	CHARGE106V204	AMMETER
5	CHARGE106V205	CABLE BUSHING
6	CHARGE112.06	POSITIVE CLAMP
6A	CHARGE112.06A	NEGATIVE CLAMP
7	CHARGE112.07	FUSE
8	CHARGE106V208	12/24V SWITCH
9	CHARGE106V209	WHITE ROCKER SWITCH
10	CHARGE106V210	ON/OFF SWITCH
11	CHARGE112.11	POWER CABLE WITH PLUG
12	CHARGE112.12	RECTIFIER
13	CHARGE106V213	MAIN TRANSFORMER
14	CHARGE124.14	RUBBER FOOT

CHARGE107.V2 PARTS LIST

ITEM	PART NO	DESCRIPTION
1	CHARGE106V201	TOP COVER
2	CHARGE106V202	HANDLE BELT
3	CHARGE106V203	BOTTOM PANEL
3A	CH107V2.03A	FRONT PANEL
4	CHARGE106V204	AMMETER
5	CHARGE106V205	CABLE BUSHING
6	CHARGE112.06	POSITIVE CLAMP
6A	CHARGE112.06A	NEGATIVE CLAMP
7	CHARGE107.07	FUSE
8	CHARGE106V208	12/24V SWITCH
9	CHARGE106V209	WHITE ROCKER SWITCH
10	CHARGE106V210	ON/OFF SWITCH
11	CHARGE112.11	POWER CABLE WITH PLUG
12	CHARGE112.12	RECTIFIER
13	CHARGE107V213	MAIN TRANSFORMER
14	CHARGE124.14	RUBBER FOOT

CHARGE110.V2 PARTS LIST

ITEM	PART NO	DESCRIPTION
1	CHARGE106V201	TOP COVER
2	CHARGE106V202	HANDLE BELT
3	CHARGE106V203	BOTTOM PANEL
3A	CH110V2.03A	FRONT PANEL
4	CHARGE106V204	AMMETER
5	CHARGE106V205	CABLE BUSHING
6	CHARGE112.06	POSITIVE CLAMP
6A	CHARGE112.06A	NEGATIVE CLAMP
7	CHARGE112.07	FUSE
8	CHARGE106V208	12/24V SWITCH
9	CHARGE106V209	WHITE ROCKER SWITCH
10	CHARGE106V210	ON/OFF SWITCH
11	CHARGE112.11	POWER CABLE WITH PLUG
12	CHARGE112.12	RECTIFIER
13	CHARGE110V213	MAIN TRANSFORMER
14	CHARGE124.14	RUBBER FOOT

CHARGE112.V2 PARTS LIST

ITEM	PART NO	DESCRIPTION
1	CHARGE106V201	TOP COVER
2	CHARGE106V202	HANDLE BELT
3	CHARGE106V203	BOTTOM PANEL
3A	CH112V2.03A	FRONT PANEL
4	CHARGE106V204	AMMETER
5	CHARGE106V205	CABLE BUSHING
6	CHARGE112.06	POSITIVE CLAMP
6A	CHARGE112.06A	NEGATIVE CLAMP
7	CHARGE112.07	FUSE
8	CHARGE106V208	12/24V SWITCH
9	CHARGE106V209	WHITE ROCKER SWITCH
10	CHARGE106V210	ON/OFF SWITCH
11	CHARGE112.11	POWER CABLE WITH PLUG
12	CHARGE112.12	RECTIFIER
13	CHARGE112V213	MAIN TRANSFORMER
14	CHARGE124.14	RUBBER FOOT

CHARGE115.V2 PARTS LIST

ITEM	PART NO	DESCRIPTION
1	CHARGE115V201	TOP COVER
2	CHARGE115V202	HANDLE BELT
3	CHARGE115V203	LOWER PANEL
3A	CH115V2.03A	FRONT COVER
4	CHARGE115V204	AMMETER
5	CHARGE106V205	CABLE BUSHING
6	CHARGE124.06	POSITIVE CLAMP
6A	CHARGE124.06A	NEGATIVE CLAMP
7	CHARGE115.07	FUSE
8	CHARGE124.08	SWITCH 12/24V
9	CHARGE124.09	WHITE ROCKER SWITCH
10	CHARGE124.10	ON/OFF SWITCH
11	CHARGE124.11	POWER CABLE WITH PLUG
12	CHARGE124.12	RECTIFIER
13	CHARGE115V213	MAIN TRANSFORMER
14	CHARGE124.14	RUBBER FOOT

CHARGE124.V2 PARTS LIST

ITEM	PART NO	DESCRIPTION
1	CHARGE115V201	TOP COVER
2	CHARGE115V202	HANDLE BELT
3	CHARGE115V203	LOWER PANEL
3A	CH124V2.03A	FRONT COVER
4	CHARGE115V204	AMMETER
5	CHARGE106V205	CABLE BUSHING
6	CHARGE124.06	POSITIVE CLAMP
6A	CHARGE124.06A	NEGATIVE CLAMP
7	CHARGE124.07	FUSE
8	CHARGE124.08	SWITCH 12/24V
9	CHARGE124.09	WHITE ROCKER SWITCH
10	CHARGE124.10	ON/OFF SWITCH
11	CHARGE124.11	POWER CABLE WITH PLUG
12	CHARGE124.12	RECTIFIER
13	CHARGE124V213	MAIN TRANSFORMER
14	CHARGE124.14	RUBBER FOOT

ISSUE : 1
ISSUE DATE : 31/01/14

NOTE: It is our policy to continually improve products and as such we reserve the right to alter data, specifications and component parts without prior notice.

IMPORTANT: No liability is accepted for incorrect use of product.

WARRANTY: Guarantee is 12 months from purchase date, proof of which will be required for any claim.

INFORMATION: For a copy of our latest catalogue and promotions call us on 01284 757525 and leave your full name and address, including postcode.



Sole UK Distributor,
Sealey Group, Kempson Way,
Suffolk Business Park,
Bury St Edmunds, Suffolk, IP32 7AR



01284 757500

01284 703534



www.sealey.co.uk

sales@sealey.co.uk