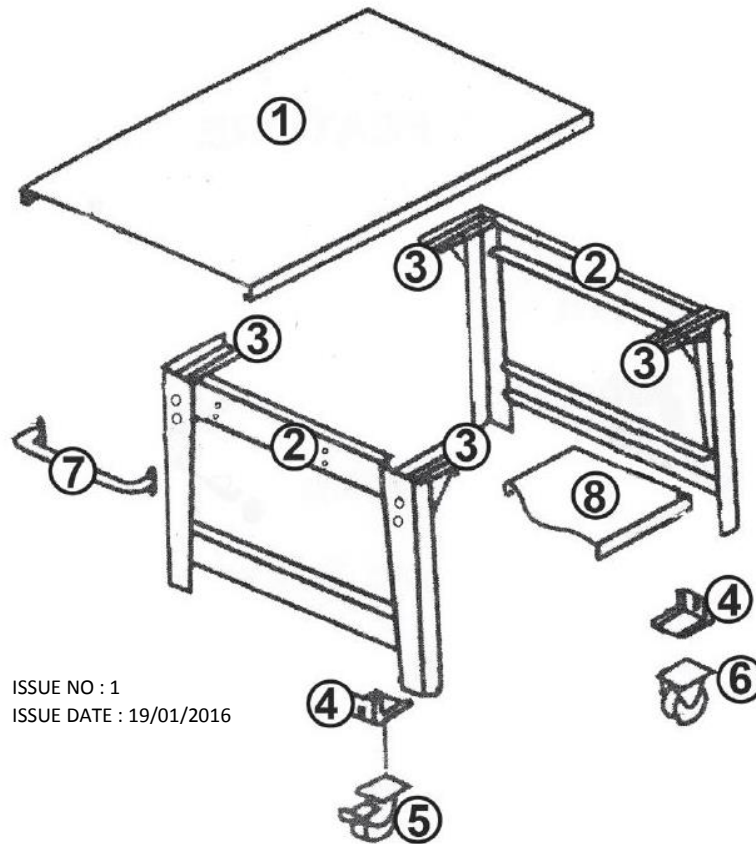




**PARTS FOR :**  
**MOBILE WORKBENCH 2-LEVEL**  
**MODELS: AP1100M**



ISSUE NO : 1  
ISSUE DATE : 19/01/2016

ITEM	PART NO	DESCRIPTION
1	AP1100M.01	WORKING TABLE
2	AP1100M.02	LEG FRAME
3	AP1100M.03	SUPPORT BRACKET
4	AP1100M.04	CASTOR BRACKET
5	AP1100M.05	CASTOR (c/w BRAKE)
6	AP1100M.06	CASTOR (FIXED)
7	AP1100M.07	SIDE HANDLE
8	AP1100M.08	SHELF



Sole UK Distributor,  
Sealey Group, Kempson Way,  
Suffolk Business Park,  
Bury St Edmunds, Suffolk, IP32 7AR

 01284 757500  
 01284 703534

 [www.sealey.co.uk](http://www.sealey.co.uk)  
 [sales@sealey.co.uk](mailto:sales@sealey.co.uk)