



INSTRUCTIONS FOR:
MOBILE WORKBENCH 2-LEVEL
 MODEL NO: **AP1100M**

Thank you for purchasing a Sealey product. Manufactured to a high standard, this product will, if used according to these instructions and maintained properly, give you years of trouble free performance.

IMPORTANT: PLEASE READ THESE INSTRUCTIONS CAREFULLY. NOTE THE SAFE OPERATIONAL REQUIREMENTS, WARNINGS & CAUTIONS. USE THE PRODUCT CORRECTLY AND WITH CARE FOR THE PURPOSE FOR WHICH IT IS INTENDED. FAILURE TO DO SO MAY CAUSE DAMAGE AND/OR PERSONAL INJURY AND WILL INVALIDATE THE WARRANTY. KEEP THESE INSTRUCTIONS SAFE FOR FUTURE USE.

1. SAFETY

- WARNING!** *Ensure Health & Safety, local authority, and general workshop practice regulations are adhered to when using this bench.*
- ✓ Locate bench in a suitable working area.
- ✓ Keep the work area clean, uncluttered and ensure there is adequate lighting.
- WARNING!** Use bench on level and solid ground, preferably concrete. *Avoid tarmacadam since the bench may sink into the surface.*
- ✓ Always apply the brakes to the locking castors before using the bench.
- ✓ Keep the bench clean and tidy in accordance with good workshop practice.
- ✓ Keep children and unauthorised persons away from the working area.
- x **DO NOT** place heavy loads on the lower shelf.
- x **DO NOT** use the bench for any purpose other than that for which it is designed.
- x **DO NOT** carry out any work on the bench without the workpiece being adequately secured. Use clamps or a vice (not included) to secure the workpiece (available from your Sealey dealer).
- x **DO NOT** use the bench outside.
- x **DO NOT** get the bench wet, or use in damp or wet locations or areas where there is condensation.
- x **DO NOT** clean the bench with any solvents which may damage the paint surface.
- WARNING!** This workbench is heavy and assistance should be obtained before assembly.

2. INTRODUCTION

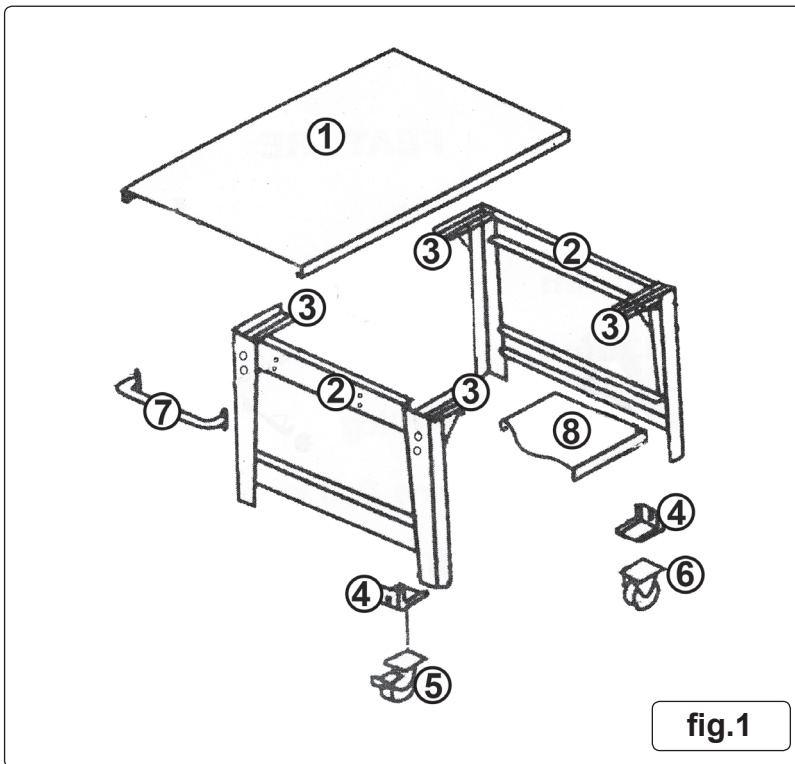
Sturdy steel construction workbench with a capacity of 300kg. Two shelves that allow unobstructed access. Fitted with two fixed castors, two locking castors and a heavy-duty handle.

3. SPECIFICATION

Model No: **AP1100M**
 Size incl. Handle (W x D x H): 1180 x 700 x 830mm
 Work Surface (W x D): 1100 x 700mm
 Capacity: 300kg



4. ASSEMBLY



Key:

- 1: Bench Top
- 2: Leg Frames (x2)
- 3: Support Brackets (x4)
- 4: Castor Brackets (x4)
- 5: Locking Castors (x2)
- 6: Fixed castors (x2)
- 7: Handle
- 8: Shelf

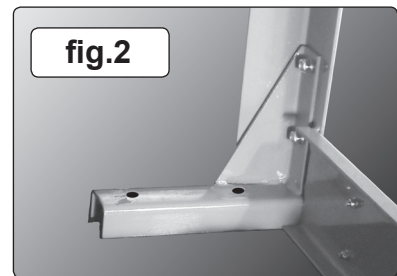


fig.2

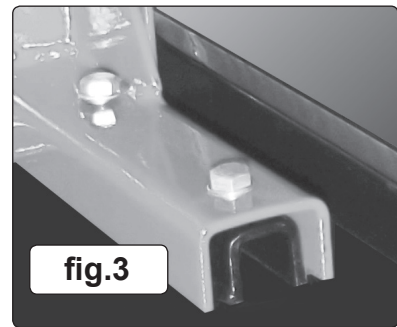


fig.3

- 4.1. Place the bench top (fig.1.1) upside on the floor. Use a floor covering to protect the bench top.
- 4.2. Fasten the four support brackets (fig.1.3) to the leg frames using the fixings provided (fig.2).
- 4.3. Fasten the leg/bracket assemblies to the channels welded to the underside of the bench top (fig.3).
- 4.4. Fasten the four castor brackets (fig.1.4) to the legs.
- 4.5. Fasten the two locking castors (fig.1.5) to the legs at one end.
- 4.6. Fasten the two fixed castors (fig.1.6) to the legs at the other end.
- 4.7. Fasten the shelf (fig.1.8) to the crossmembers of the leg frames.
- 4.8. Using two people, turn the bench right way up.
- 4.9. Fix the handle (fig.1.7) to the end of the bench to which the locking castors are fitted.

Environmental Protection



Recycle unwanted materials instead of disposing of them as waste. All tools, accessories and packaging should be sorted, taken to a recycling centre and disposed of in a manner which is compatible with the environment. When the product becomes completely unserviceable dispose of it according to local regulations.

NOTE: It is our policy to improve products continually and as such we reserve the right to alter data, specifications and component parts without prior notice.

IMPORTANT: No liability is accepted for incorrect use of this product.

WARRANTY: Guarantee is 12 months from purchase date, proof of which will be required for any claim.



Sole UK Distributor, Sealey Group,
Kempson Way, Suffolk Business Park,
Bury St. Edmunds, Suffolk,
IP32 7AR



01284 757500



01284 703534



www.sealey.co.uk



sales@sealey.co.uk