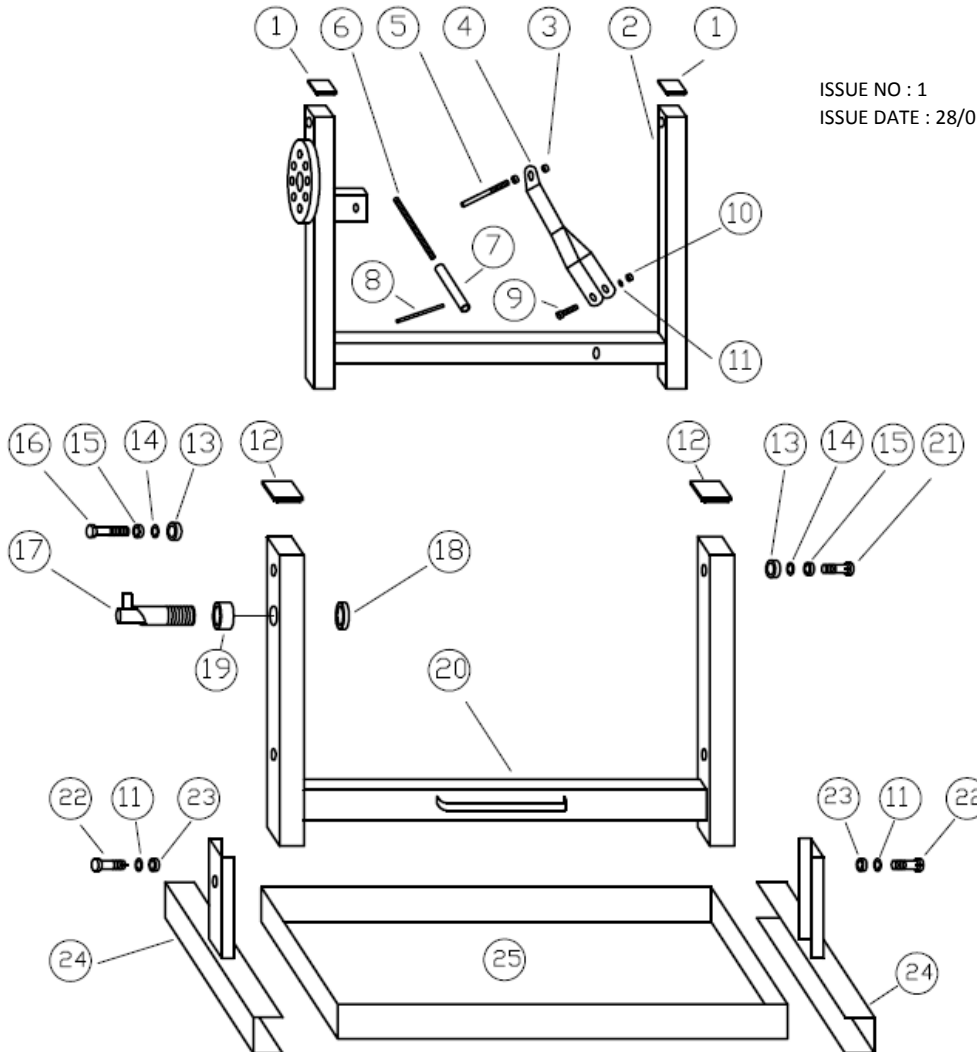




PARTS FOR :
MOTORCYCLE ENGINE STAND –
SINGLE/TWIN CYLINDER
MODELS: MES01

ISSUE NO : 1
 ISSUE DATE : 28/01/2016



ITEM	PART NO	DESCRIPTION	ITEM	PART NO	DESCRIPTION
1	MES01.01	END CAP	14	MES01.14	WASHER 10mm
2	MES01.02	MOVABLE FRAME	15	MES01.15	SLEEVE
3	MES01.03	NUT (M10)	16	MES01.16	BOLT
4	MES01.04	ENGINE CRADLE	17	MES01.17	RATCHET SET
5	MES01.05	SCREW	18	MES01.18	NUT (M20)
6	MES01.06	SCREW	19	MES01.19	NUT (M20)
7	MES01.07	SUPPORT TUBE	20	MES01.20	FIXED FRAME
8	MES01.08	ROD	21	MES01.21	BOLT
9	MES01.09	SCREW	22	MES01.22	BOLT (M8x30)
10	MES01.10	NUT (M8)	23	MES01.23	NUT (M8)
11	MES01.11	WASHER 8mm	24	MES01.24	SIDE FOOT
12	MES01.12	END CAP	25	MES01.25	COLLECTION TRAY
13	MES01.13	NUT (M10)			



Sole UK Distributor,
 Sealey Group, Kempson Way,
 Suffolk Business Park,
 Bury St Edmunds, Suffolk, IP32 7AR

01284 757500
 01284 703534

www.sealey.co.uk
sales@sealey.co.uk