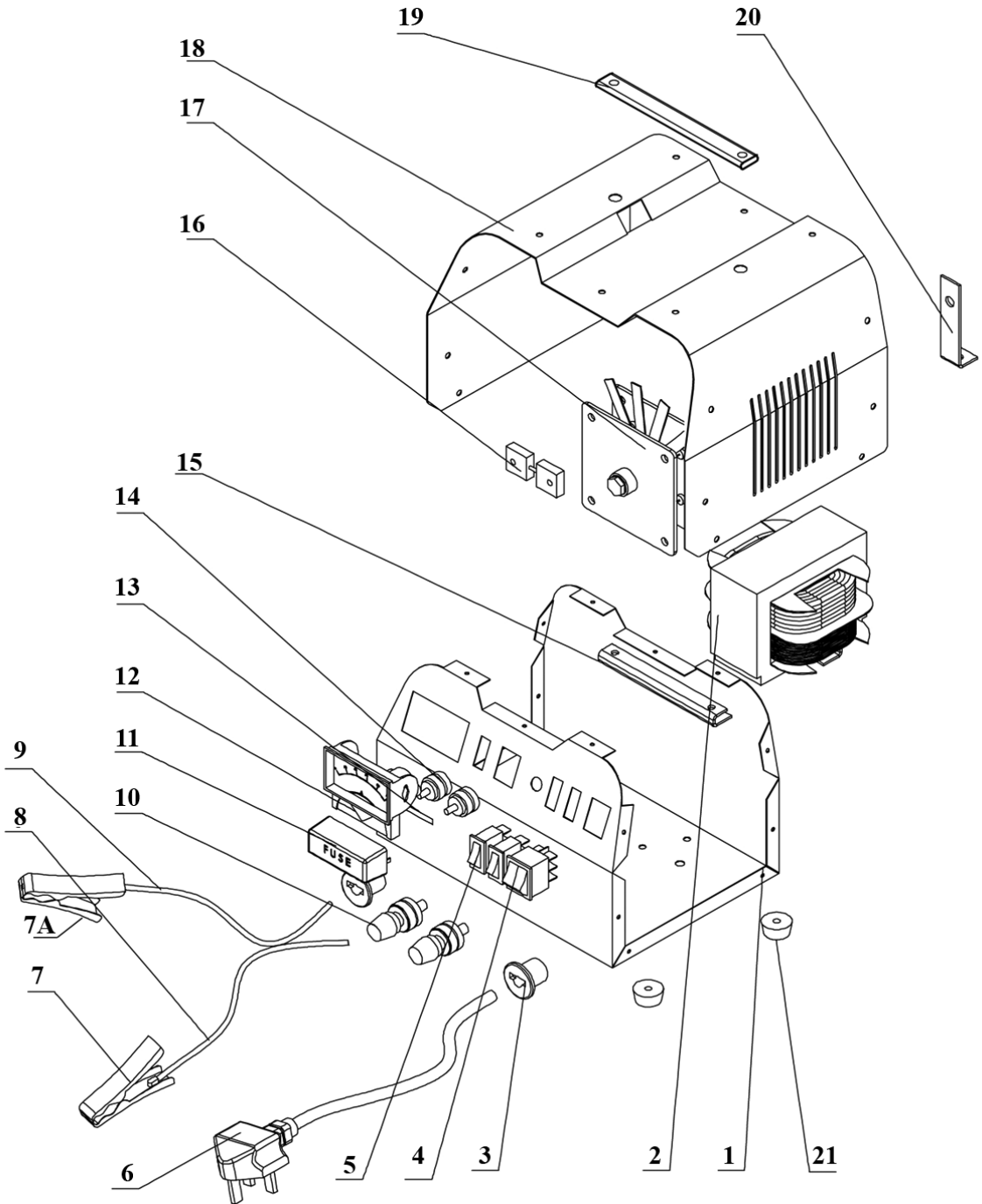




PARTS FOR :
STARTER/CHARGER 120/20AMP / 140/25AMP / 160/30AMP / 180/40AMP / 12/24V 230V
MODEL : **BOOST120.V2 / BOOST140.V2 / BOOST160.V2 / BOOST180.V2**



ISSUE : 1
ISSUE DATE : 22/01/14

NOTE: It is our policy to continually improve products and as such we reserve the right to alter data, specifications and component parts without prior notice.

IMPORTANT: No liability is accepted for incorrect use of product.

WARRANTY: Guarantee is 12 months from purchase date, proof of which will be required for any claim.

INFORMATION: For a copy of our latest catalogue and promotions call us on 01284 757525 and leave your full name and address, including postcode.



Sole UK Distributor,
Sealey Group, Kempson Way,
Suffolk Business Park,
Bury St Edmunds, Suffolk, IP32 7AR



01284 757500

01284 703534



www.sealey.co.uk

sales@sealey.co.uk



PARTS FOR :

STARTER/CHARGER 120/20AMP / 140/25AMP / 160/30AMP / 180/40AMP / 12/24V 230V

MODEL : BOOST120.V2 / BOOST140.V2 / BOOST160.V2 / BOOST180.V2

BOOST120.V2 PARTS LIST

BOOST140.V2 PARTS LIST

ITEM	PART NO	DESCRIPTION
1	BOOST120V2.01	LOWER PANEL
2	BOOST120V2.02	MAIN TRANSFORMER
3	BOOST180.03	CABLE BUSHING
4	BOOST180.04	ON/OFF SWITCH
5	BOOST180.05	WHITE ROCKER SWITCH
6	BOOST180.06	POWER CABLE WITH PLUG
7	BOOST180.07	POSITIVE CLAMP + CABLE
7A	BOOST180.07A	NEGATIVE CLAMP+CABLE
8	BOOST180.08	CABLE FOR POSITIVE CLAMP
9	BOOST180.09	CABLE FOR NEGATIVE CLAMP
10	BOOST180.10	TERMINAL COMPLETE (PAIRS)
11	BOOST180.11	FUSE COVER
12	BOOST120V2.12	AMMETER
13	BOOST180.13	FUSE (110Amp) 'SINGLE'
14	BOOST180.14	FUSE HOLDER
15	BOOST180.15	SUPPORT
16	BOOST180.16	SHUNT
17	BOOST180.17	RECTIFIER
18	BOOST120V2.18	TOP COVER
19	BOOST120V2.19	HANDLE BELT
20	BOOST120V2.20	MIDDLE SUPPORT
21	BOOST180V2.21	RUBBER FOOT

ITEM	PART NO	DESCRIPTION
1	BOOST140V2.01	LOWER PANEL
2	BOOST140V2.02	MAIN TRANSFORMER
3	BOOST180.03	CABLE BUSHING
4	BOOST180.04	ON/OFF SWITCH
5	BOOST180.05	WHITE ROCKER SWITCH
6	BOOST180.06	POWER CABLE WITH PLUG
7	BOOST180.07	POSITIVE CLAMP + CABLE
7A	BOOST180.07A	NEGATIVE CLAMP+CABLE
8	BOOST180.08	CABLE FOR POSITIVE CLAMP
9	BOOST180.09	CABLE FOR NEGATIVE CLAMP
10	BOOST180.10	TERMINAL COMPLETE (PAIRS)
11	BOOST180.11	FUSE COVER
12	BOOST140V2.12	AMMETER
13	BOOST180.13	FUSE (110Amp) 'SINGLE'
14	BOOST180.14	FUSE HOLDER
15	BOOST180.15	SUPPORT
16	BOOST180.16	SHUNT
17	BOOST180.17	RECTIFIER
18	BOOST140V2.18	TOP COVER
19	BOOST140V2.19	HANDLE BELT
20	BOOST140V2.20	MIDDLE SUPPORT
21	BOOST180V2.21	RUBBER FOOT

BOOST160.V2 PARTS LIST

BOOST180.V2 PARTS LIST

ITEM	PART NO	DESCRIPTION
1	BOOST160V2.01	LOWER PANEL
2	BOOST160V2.02	MAIN TRANSFORMER
3	BOOST180.03	CABLE BUSHING
4	BOOST180.04	ON/OFF SWITCH
5	BOOST180.05	WHITE ROCKER SWITCH
6	BOOST180.06	POWER CABLE WITH PLUG
7	BOOST180.07	POSITIVE CLAMP + CABLE
7A	BOOST180.07A	NEGATIVE CLAMP+CABLE
8	BOOST180.08	CABLE FOR POSITIVE CLAMP
9	BOOST180.09	CABLE FOR NEGATIVE CLAMP
10	BOOST180.10	TERMINAL COMPLETE (PAIRS)
11	BOOST180.11	FUSE COVER
12	BOOST160V2.12	AMMETER
13	BOOST180.13	FUSE (110Amp) 'SINGLE'
14	BOOST180.14	FUSE HOLDER
15	BOOST180.15	SUPPORT
16	BOOST180.16	SHUNT
17	BOOST180.17	RECTIFIER
18	BOOST160V2.18	TOP COVER
19	BOOST160V2.19	HANDLE BELT
20	BOOST160V2.20	MIDDLE SUPPORT
21	BOOST180V2.21	RUBBER FOOT

ITEM	PART NO	DESCRIPTION
1	BOOST180V2.01	LOWER PANEL
2	BOOST180V2.02	MAIN TRANSFORMER
3	BOOST180.03	CABLE BUSHING
4	BOOST180.04	ON/OFF SWITCH
5	BOOST180.05	WHITE ROCKER SWITCH
6	BOOST180.06	POWER CABLE WITH PLUG
7	BOOST180.07	POSITIVE CLAMP + CABLE
7A	BOOST180.07A	NEGATIVE CLAMP+CABLE
8	BOOST180.08	CABLE FOR POSITIVE CLAMP
9	BOOST180.09	CABLE FOR NEGATIVE CLAMP
10	BOOST180.10	TERMINAL COMPLETE (PAIRS)
11	BOOST180.11	FUSE COVER
12	BOOST180V2.12	AMMETER
13	BOOST180.13	FUSE (110Amp) 'SINGLE'
14	BOOST180.14	FUSE HOLDER
15	BOOST180.15	SUPPORT
16	BOOST180.16	SHUNT
17	BOOST180.17	RECTIFIER
18	BOOST180V2.18	TOP COVER
19	BOOST180V2.19	HANDLE BELT
20	BOOST180V2.20	MIDDLE SUPPORT
21	BOOST180V2.21	RUBBER FOOT

ISSUE : 1
ISSUE DATE : 22/01/14

NOTE: It is our policy to continually improve products and as such we reserve the right to alter data, specifications and component parts without prior notice.
IMPORTANT: No liability is accepted for incorrect use of product.
WARRANTY: Guarantee is 12 months from purchase date, proof of which will be required for any claim.
INFORMATION: For a copy of our latest catalogue and promotions call us on 01284 757525 and leave your full name and address, including postcode.

	Sole UK Distributor, Sealey Group, Kempson Way, Suffolk Business Park, Bury St Edmunds, Suffolk, IP32 7AR	01284 757500 01284 703534	www.sealey.co.uk sales@sealey.co.uk
--	---	------------------------------	--