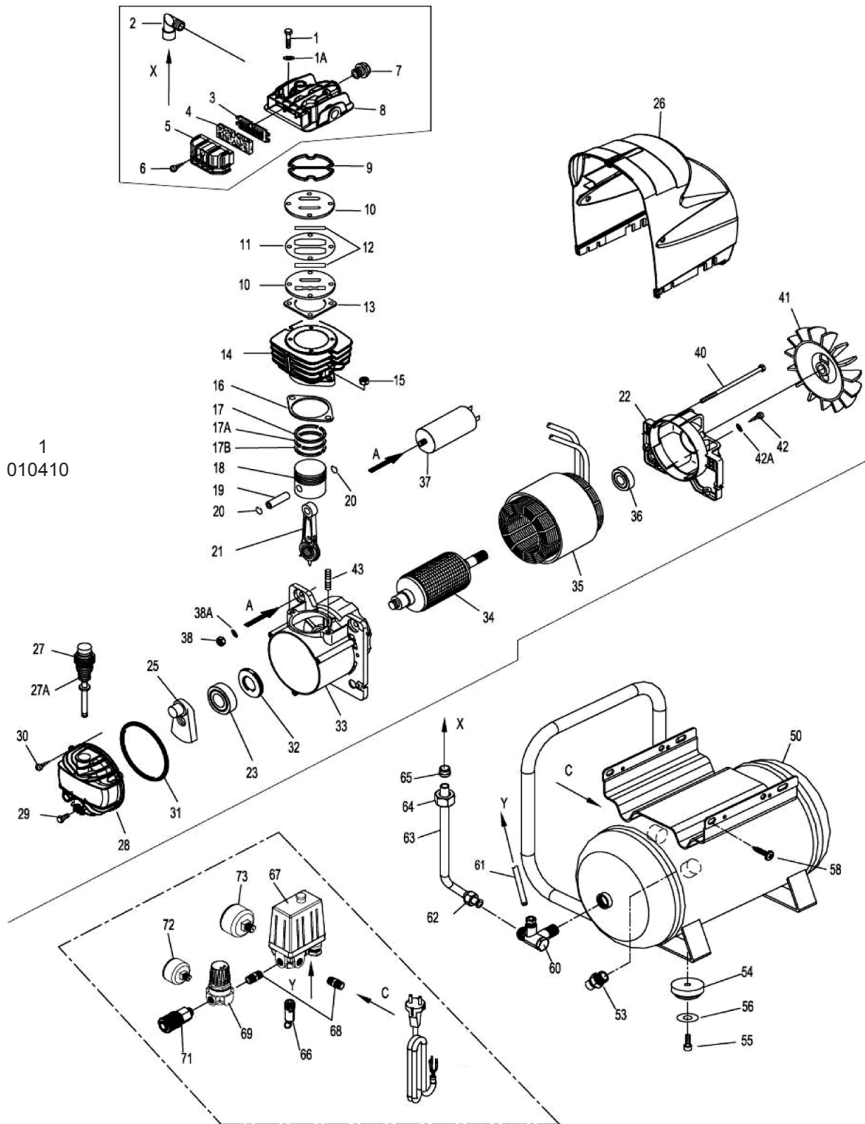


Issue: 1
 Issue Date: 010410



| ITEM | PART NO | DESCRIPTION | ITEM | PART NO | DESCRIPTION | ITEM | PART NO | DESCRIPTION |
|------|------------|----------------|------|------------|------------------|------|------------|-----------------------|
| 1 | SA0615.01 | SCREW M6x40 | 20 | SA0615.20 | SEEGER RING | 42 | SA0615.42 | SCREW (4x8) |
| 1A | SA0615.01A | WASHER | 21 | SA0615.21 | CON-ROD | 42A | SA0615.42A | WASHER |
| 2 | SA0615.02 | JOINT | 22 | SA0615.22 | COVER | 43 | SA0615.43 | STUD BOLT |
| 3 | SA0615.03 | PLATE | 23 | SA0615.23 | BEARING (6204) | 50 | SA0615.50 | TANK 6ltr |
| 4 | SA0615.04 | FILTER ELEMENT | 25 | SA0615.25 | CRANKSHAFT | 53 | SA0615.53 | TAP |
| 5 | SA0615.05 | INTAKE FILTER | 26 | SA0615.26 | PUMP COVER | 54 | SA0615.54 | RUBBER FEET |
| 6 | SA0615.06 | SCREW 3.9x16 | 27 | SA0615.27 | OIL DIPSTICK | 55 | SA0615.55 | SCREW (M5x14) |
| 7 | SA0615.07 | VALVE 1.7Bar | 27A | SA0615.27A | O-RING | 56 | SA0615.56 | WASHER (M6) |
| 8 | SA0615.08 | HEAD | 28 | SA0615.28 | END COVER | 58 | SA0615.58 | SCREW (5x20) |
| 9 | SA0615.09 | GASKET | 29 | SA0615.29 | SCREW (M6x12) | 60 | SA0615.60 | NON RETURN VALVE |
| 10 | SA0615.10 | VALVE PLATE | 30 | SA0615.30 | SCREW (M5x14) | 61 | SA0615.61 | RILSAN HOSE |
| 11 | SA0615.11 | GASKET | 31 | SA0615.31 | O-RING | 62 | SA0615.62 | NUT |
| 12 | SA0615.12 | VALVE | 32 | SA0615.32 | OIL SEAL | 63 | SA0615.63 | DELIVERY PIPE |
| 13 | SA0615.13 | GASKET | 33 | SA0615.33 | CRANKCASE | 64 | SA0615.64 | NUT |
| 14 | SA0615.14 | CYLINDER | 34 | SA0615.34 | ROTOR | 65 | SA0615.65 | OLIVE |
| 15 | SA0615.15 | NUT (M8) | 35 | SA0615.35 | MOTOR | 66 | SA0615.66 | SAFETY VALVE 9Bar |
| 16 | SA0615.16 | GASKET | 36 | SA0615.36 | BEARING (6203) | 67 | SA0615.67 | PRESSURE SWITCH |
| 17 | SA0615.17 | PISTON RING | 37 | SA0615.37 | CAPACITOR (25uF) | 68 | SA0615.68 | JOINT 1/4" x 27 |
| 17A | SA0615.17A | PISTON RING | 38 | SA0615.38 | NUT (M8) | 69 | SA0615.69 | PRESSURE REDUCER |
| 17B | SA0615.17B | PISTON RING | 38A | SA0615.38A | WASHER | 71 | SA0615.71 | HI-FLOW COUPLING |
| 18 | SA0615.18 | PISTON | 40 | SA0615.40 | TENSION ROD | 72 | SA0615.72 | PRESSURE GAUGE (d:40) |
| 19 | SA0615.19 | PISTON PIN | 41 | SA0615.41 | FAN | 73 | SA0615.73 | PRESSURE GAUGE (d:50) |

NOTE: It is our policy to continually improve products and as such we reserve the right to alter data, specifications and component parts without prior notice.

IMPORTANT: No liability is accepted for incorrect use of product.

WARRANTY: Guarantee is 12 months from purchase date, proof of which will be required for any claim.

INFORMATION: For a copy of our latest catalogue and promotions call us on 01284 757525 and leave your full name and address, including postcode.