

Thank you for purchasing a Sealey product. Manufactured to a high standard this product will, if used according to these instructions and properly maintained, give you years of trouble free performance.




IMPORTANT: PLEASE READ THESE INSTRUCTIONS CAREFULLY. NOTE THE SAFE OPERATIONAL REQUIREMENTS, WARNINGS AND CAUTIONS. USE THIS PRODUCT CORRECTLY AND WITH CARE FOR THE PURPOSE FOR WHICH IT IS INTENDED. FAILURE TO DO SO MAY CAUSE DAMAGE AND/OR PERSONAL INJURY AND WILL INVALIDATE THE WARRANTY. RETAIN THESE INSTRUCTIONS FOR FUTURE USE.

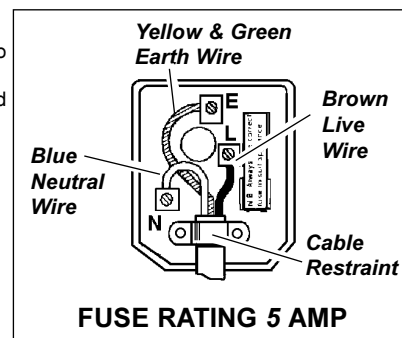
1. SAFETY INSTRUCTIONS

1.1 ELECTRICAL SAFETY

WARNING! It is the responsibility of the owner and the operator to read, understand and comply with the following:

You must check all electrical products, before use, to ensure that they are safe. You must inspect power cables, plugs, sockets and any other connectors for wear or damage. You must ensure that the risk of electric shock is minimised by the installation of appropriate safety devices. A Residual Current Circuit Breaker (RCCB) should be incorporated in the main distribution board. We also recommend that a Residual Current Device (RCD) is used. It is particularly important to use an RCD with portable products that are plugged into a supply which is not protected by an RCCB. If in any doubt consult a qualified electrician. You may obtain a Residual Current Device by contacting your Sealey dealer. You must also read and understand the following instructions concerning electrical safety.

- 1.1.1 The Electricity at Work Act 1989 requires that all portable electrical appliances, if used on business premises, are tested by a qualified electrician, using a Portable Appliance Tester (PAT), at least once a year.
- 1.1.2 The Health & Safety at Work Act 1974 makes owners of electrical appliances responsible for the safe condition of those appliances and the safety of the appliance operators. If in any doubt about electrical safety, contact a qualified electrician.
- 1.1.3 Ensure that the insulation on all cables and on the appliance is safe before connecting it to the power supply. See 1.1.1 and 1.1.2 and use a Portable Appliance Tester.
- 1.1.4 Ensure that cables are always protected against short circuit and overload.
- 1.1.5 Regularly inspect power supply cables and plugs for wear or damage and check all connections to ensure that none is loose.
- 1.1.6 Important: Ensure that the voltage marked on the appliance matches the power supply to be used and that the plug is fitted with the correct fuse - see fuse rating at right.
- 1.1.7 DO NOT pull or carry the appliance by the power cable.
- 1.1.8 DO NOT pull the plug from the socket by the cable.
- 1.1.9 DO NOT use worn or damaged cables, plugs or connectors. Immediately have any faulty item repaired or replaced by a qualified electrician. When a BS 1363/A UK 3 pin plug is damaged, cut the cable just above the plug and dispose of the plug safely. Fit a new plug according to the following instructions (UK only).
 - a) Connect the GREEN/YELLOW earth wire to the earth terminal 'E'.
 - b) Connect the BROWN live wire to the live terminal 'L'.
 - c) Connect the BLUE neutral wire to the neutral terminal 'N'.
 - d) After wiring, check that there are no bare wires, that all wires have been correctly connected, that the cable outer insulation extends beyond the cable restraint and that the restraint is tight. Double insulated products, which are always marked with this symbol , are fitted with live (brown) and neutral (blue) wires only. To rewire, connect the wires as indicated above - DO NOT connect either wire to the earth terminal.
- 1.1.10 Products which require more than 5 amps are supplied without a plug. In this case you must contact a qualified electrician to ensure that a suitably rated supply is available. We recommend that you discuss the installation of an industrial round pin plug and socket with your electrician.
- 1.1.11 If an extension reel is used it should be fully unwound before connection. A reel with an RCD fitted is preferred since any appliance plugged into it will be protected. The cable core section is important and should be at least 1.5mm², but to be absolutely sure that the capacity of the reel is suitable for this product and for others which may be used in the other output sockets, we recommend the use of 2.5mm² section cable.



1.2. GENERAL SAFETY

- ✓ Disconnect the grinder from the mains power before changing accessories, servicing or performing any maintenance.
- ✓ Maintain grinder and discs in good condition. Check moving parts and alignment. If necessary use an authorised service agent.
- ✓ Replace or repair damaged parts. *Use recommended parts only. Unauthorised parts may be dangerous and will invalidate the warranty.*
- ✓ Keep the grinder clean for best and safest performance.
- ☐ **WARNING!** Always work with the grinder safety guard in place.
- ✓ Wear approved safety goggles, ear defenders, appropriate dust mask if grinder generates dust and safety gloves.
- ✓ Remove ill fitting clothing. Remove ties, watches, rings and other loose jewellery and contain long hair.
- ✓ Use grinder in a suitable work area. Keep area clean, tidy and free from unrelated materials and ensure that there is adequate lighting.
- ✓ Maintain correct balance and footing. DO NOT over-reach and ensure that the floor is not slippery. Wear non-slip shoes.
- ✓ Use only approved grinding discs and only use the normal grinding surface. Never use the side or upper surface of disc for cutting.
- ✓ The grinding disc may only be changed by a person holding a grinding wheel certificate.
- ✓ Check grinding disc to ensure it is not split, cracked or damaged in anyway (See Section 4). If in doubt do not use the disc.
- ✓ Grinding discs must be securely attached before use, but not overtightened.
- ✓ Secure unstable workpiece with a clamp, vice or other adequate holding device and ensure that the grinder is gripped with both hands.
- ✓ Keep children and unauthorised persons away from the work area.
- ✗ DO NOT operate the grinder if any parts are missing or damaged.
- ✗ DO NOT use the grinder for a task it is not designed to perform.
- ✗ DO NOT operate the grinder where there are flammable liquids or gases.
- ☐ **WARNING!** DO NOT grind or sand materials containing asbestos.
- ✗ DO NOT get the grinder wet or use in damp or wet locations.
- ✗ DO NOT switch the grinder on whilst the disc is in contact with the workpiece.
- ✗ DO NOT cover the grinder air vents. To do so will overheat the machine.
- ✗ DO NOT touch the workpiece immediately after grinding as it will be very hot.
- ✗ DO NOT use the grinder as a fixed tool, and DO NOT try to cool the grinding discs with water or other lubricants.
- ✗ DO NOT hold unsecured work in your hand and DO NOT touch the grinding disc whilst operating, or whilst plugged into the mains power.
- ✗ DO NOT leave the grinder running unattended and DO NOT lay the grinder down whilst it is running.
- ✗ DO NOT operate the grinder when you are tired or under the influence of alcohol, drugs or intoxicating medication.
- ✓ When not in use, switch off grinder, remove plug from power supply and store in safe, dry, childproof area.



DANGER OF FIRE/EXPLOSION HAZARD

- ❑ **WARNING!** The grinding process can produce streams of sparks (especially when grinding metal) which are a potential source of ignition.
- ✗ **DO NOT** use the grinder where there are flammable liquids, solids or gases.
- ✗ **DO NOT** allow grinder sparks to make contact with the operator's clothing or any other fabric such as cleaning rags. Fabrics contaminated with inflammable materials such as petrol, oil, grease, paint and solvents are a particular fire hazard.
- ✓ **To reduce the risk of clothing catching fire the operator should wear wool or cotton outer garments treated with a fire retardant in preference to man-made fibres.**

Risk of Hand Arm Vibration Injury

Angle Grinder Models: SG101 & SG115 when operated in accordance with these instructions and tested in accordance with EN 28662-2: 1994 results in the following vibration emission declared in accordance with BS EN12096: 1996.

Measured vibration emission value:1.7m/s²

Uncertainty:0.7m/s²

These values are suitable for comparison with emission levels of other tools that have been subject to the same test. This tool may cause hand-arm vibration syndrome if its use is inadequately managed. Recommended Measures to reduce risk of hand-arm vibration syndrome:

This item represents a low Hand Arm Vibration risk to users. The calculated maximum usage period exceeds 8 hours. We recommend appropriate safety equipment is utilised and regular breaks for the operator are employed to reduce any residual risk of fatigue or repetitive strain injury.

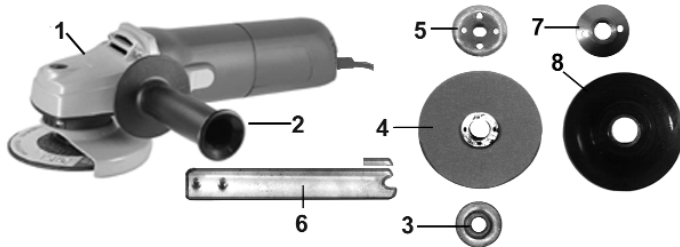
2. CONTENT & SPECIFICATIONS

Remove items from packing and identify parts against fig. 1. If any part is damaged or missing contact your supplier immediately.

CONTENT LIST

1. Angle Grinder
2. Side Handle
3. Disc Receiver
4. Grinding Disc
5. Locking Nut
6. Spanner
7. Backing Disc Lock Nut (SG101 only)
8. Backing Disc (SG101 only)

fig. 1



SPECIFICATION - SG101

Power input720 watt
 No-load speed11,000rpm
 Spindle sizeM10X1.25

Sanding disc max. diam100mm
 Grinding/Cutting disc max. diam100mm
 Disc bore(5/8") 16mm
 Overall length280mm

Sound pressure level90.9dB(A)
 Sound power level103.9dB(A)
 Weight2.3kg

SPECIFICATION - SG115

Power input720 watt
 No-load speed11,000rpm
 Spindle sizeM14X2.0

Grinding/Cutting disc max. diam115mm
 Disc bore(7/8") 22mm
 Overall length280mm

Sound pressure level90.9dB(A)
 Sound power level103.9dB(A)
 Weight2.3kg

3. ASSEMBLY & ADJUSTMENT

❑ **WARNING!** Ensure that the grinder is unplugged from the power supply before assembly.

3.1. Fitting the grinding/cutting disc

- 3.1.1. Place the disc receiver (fig. 2.3) over the centre spindle with the key lugs facing down (fig. 2a) to engage with the flats on the shaft.
- 3.1.2. Place grinding disc (fig. 2.4) on the spindle with the printed side towards the head of the grinder.
- 3.1.3. Stop the spindle from turning by pushing in and holding the stop button (fig. 4.B).
- 3.1.4. Lock grinding disc into place by tightening the locking nut (fig. 2.5) with the pin wrench (fig. 3). **DO NOT** over tighten. Fit the locking nut with the spigot engaged in the grinding disc bore.
- 3.1.5. Release the locking button (fig. 4.B) and check that it springs back to the initial position.

3.2. Fitting the sanding backing disc (SG101 only)

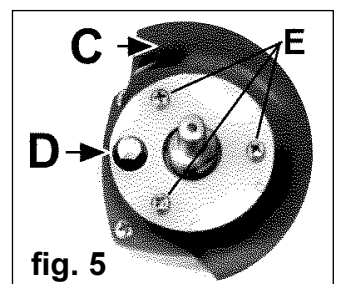
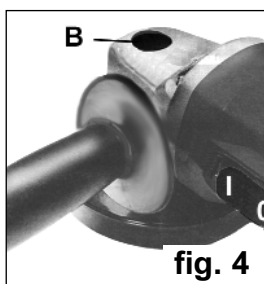
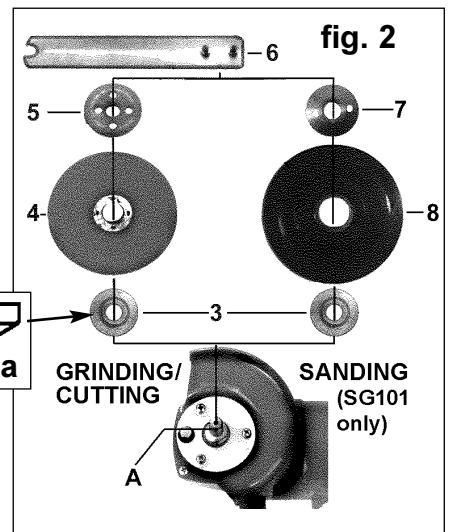
- 3.2.1. Fit the disc receiver (fig. 2.3) as in 3.1.1.
- 3.2.2. Place the backing disc (fig. 2.8) on the spindle, concave side facing out.
- 3.2.3. Stop the spindle from turning by pushing in and holding stop button (fig. 4.B).
- 3.2.4. Lock sanding disc in place by tightening the lock nut (fig. 2.7) with the pin wrench (fig. 3). **DO NOT** over tighten.
- 3.2.5. Release the locking button (fig. 4.B) and check that it springs back to the initial position.

3.3. Side handle

- 3.3.1. The side handle must be used for complete control and safety.
- 3.3.2. Screw the handle (fig. 1.2) into the left- or right-hand mounting, as required.

3.4. Positioning, removing and refitting the guard

- 3.4.1. The guard (fig. 5.C) may be positioned at any angle to suit the task. Position the guard to allow the best access to the workpiece whilst providing maximum personal protection for the operator.
- 3.4.2. Loosen locking screw (fig. 5.D) and turn the guard to the required position. Lock the guard in place by re-tightening the locking screw.
- 3.4.3. The guard can be removed for sanding tasks, as follows (SG101 only):
 - 1) Remove locking screw (fig. 5.D) and the three retaining screws (fig. 5.E).
 - 2) Refitting the guard is the reverse of 3.4.3. **ALWAYS REATTACH THE GUARD FOR GRINDING/CUTTING.**



4. GRINDING/CUTTING DISCS

- WARNING! DO NOT USE DISCS THAT ARE DAMAGED, OR SUSPECTED TO BE DAMAGED.**
- 4.1. Before using a grinding/cutting disc ensure that there are no fissures or cracks. Once mounted on the grinder, test the disc before use by facing the grinder in a safe direction (point away from yourself, others and vulnerable items) and run for a short time.
- ▲ **DANGER! Use of damaged discs is dangerous and may cause personal injury.**
- 4.2. Grinding and cutting discs used in association with this machine shall be of an adequate speed rating and be suitable for the job in hand. The discs shall be made in accordance with British Standard 4481:Part 1 1989. Only persons holding a grinding wheel certificate are authorised to change grinding discs. Ensure that the speed rating on the disc is equal to, or higher than, that of the grinder.

5. OPERATING INSTRUCTIONS

5.1. LEAD PAINT WARNING!



Paint once contained lead as a traditional ingredient. Dust from the removal of such paint is toxic and contact with it must be avoided. The following action must be taken when using the sander on paint that you suspect may contain lead.

1. User must determine potential hazard relating to age of paint to be removed (modern paints do not contain lead).
2. **DANGER!** Keep all persons and pets away from the work area. The following are particularly vulnerable to the effects of lead paint dust: *Pregnant women, babies and children.*
3. We recommend personal protection by using the following safety items:
 - a) Paint Spray Respirator (Our ref SSP1699)
 - b) PE Coated Hooded Coverall (Our ref SSP266)
 - c) Latex Gloves (Our ref SSP24).
4. Take adequate measures to contain the paint dust, flakes and scrapings.
5. Continue to wear safety equipment as in (3) above and thoroughly clean all areas when the task is complete.
6. Ensure that paint waste is disposed of, according to local regulations, in sealed bags or containers.

WARNING! Ensure that grinder is unplugged from the mains power supply before changing accessories.

5.2. Preparation

- 5.2.1. Assemble grinding/cutting/sanding disc according to Section 3 and position the hand grip and safety guard to suit the task.
- 5.2.2. Plug grinder into the mains power supply.

5.3. ON/OFF Switch

- 5.3.1. The On/Off switch (fig 6.E) is designed to avoid accidental starting.
- 5.3.2. Once plugged into the power supply start the grinder by sliding the switch forward and pressing down.

WARNING! When the grinder first starts it will kick to the right. You must ensure, therefore, that the tool is securely gripped in both hands. Especially important is the position you choose for the side handle in order to maintain stability.

- 5.3.3. To turn off the machine press the switch at the rear and it will spring back to the 'Off' position.

WARNING! Before use, ensure that you are wearing approved safety goggles, ear defenders, appropriate dust mask if dust will be generated and safety gloves, and that all other safety instructions in Section 1 are followed carefully.

5.4. Grinding/Cutting/Sanding

- 5.4.1. The key to effective operating is controlling the pressure and surface contact between the disc and the workpiece.
- WARNING!** DO NOT switch the grinder on whilst the disc is in contact with the workpiece. Bring the rotating disc to the workpiece.
- 5.4.2. Allow the disc to reach full speed before starting to grind/cut/sand.
- 5.4.3. Grind flat surfaces with the disc at an angle of between 10 and 20 degrees to the workpiece. Too great an angle will cause a concentration of pressure in one small area resulting in gouging or burning of the surface.
- 5.4.4. When grinding/cutting is complete allow the workpiece to cool. DO NOT touch the hot surface. Unplug the grinder from the mains power supply, clean and store in a safe, dry, childproof area.



fig. 6

6. MAINTENANCE

WARNING! Ensure that the grinder is disconnected from the mains power supply before attempting any maintenance.

6.1. Cleaning

- 6.1.1. Keep the grinder ventilation slots clean and free from obstructions. If available, blow compressed air into the vents to clear any internal dust (safety goggles must be worn when undertaking this process). Keep the outer case of the grinder clean and free from grease. DO NOT wash with water or use solvents or abrasives.

6.2. Changing the motor brushes

- 6.2.1. Remove the rear cover.
- 6.2.2. Release the tension spring from the carbon brush and slide it out of the brush holder.
- 6.2.3. Disconnect the brush connector from the terminal.
- 6.2.4. Refitting is a reversal of the above procedure.
- 6.2.5. Repeat for the second brush.

DECLARATION OF CONFORMITY We, the sole importer into the UK, declare that the products listed here are in conformity with the following standards and directives.

100MM & 115MM 720W ANGLE GRINDERS

Models SG101 & SG115

73/23/EEC Low Voltage Directive
89/336/EEC EMC Directive
93/68/EEC CE Marking Directive
98/37/EC Machinery Directive



The construction files for these products are held by the Manufacturer and may be inspected, by a national authority, upon request to Jack Sealey Ltd.

Signed by Mark Sweetman

4th March 2005

For Jack Sealey Ltd. Sole importer into the UK of Sealey Power Tools.

NOTE: It is our policy to continually improve products and as such we reserve the right to alter data, specifications and component parts without prior notice.

IMPORTANT: No liability is accepted for incorrect use of this product.

WARRANTY: Guarantee is 12 months from purchase date, proof of which will be required for any claim.

INFORMATION: For a copy of our latest catalogue and promotions call us on 01284 757525 and leave your full name and address, including postcode.



Sole UK Distributor,
Sealey Group,
Bury St. Edmunds,
Suffolk.



01284 757500



01284 703534



sales@sealey.co.uk



www.sealey.co.uk