



INSTRUCTIONS FOR:

# STAINLESS STEEL BROADCAST SALT SPREADER 37KG WALK BEHIND

MODEL NO: **SSB37W**

Thank you for purchasing a Sealey product. Manufactured to a high standard, this product will, if used according to these instructions, and properly maintained, give you years of trouble free performance.



**IMPORTANT: PLEASE READ THESE INSTRUCTIONS CAREFULLY. NOTE THE SAFE OPERATIONAL REQUIREMENTS, WARNINGS & CAUTIONS. USE THE PRODUCT CORRECTLY AND WITH CARE FOR THE PURPOSE FOR WHICH IT IS INTENDED. FAILURE TO DO SO MAY CAUSE DAMAGE AND/OR PERSONAL INJURY AND WILL INVALIDATE THE WARRANTY. KEEP THESE INSTRUCTIONS SAFE FOR FUTURE USE.**

## 1. SAFETY

- ✓ Before each use, check that there is no damage to the spreader and that all fixings are tight.
- ✓ Replace or repair damaged parts. *Use only recommended parts. Unauthorised parts may be dangerous and will invalidate the warranty.*
- ✓ Ensure that the operator is fully trained and competent to operate the spreader.
- ✓ Ensure that all chemical safety instructions are adhered to when handling products for use in the spreader. A full range of personal safety equipment is available from your Sealey dealer.
- ✓ Ensure all non essential personnel keep a safe distance when the spreader is in use.
- ✗ **DO NOT** place hands inside the hopper during spreading.
- ✗ **DO NOT** over inflate the tyres, 25psi (1.7bar) maximum.
- ✗ **DO NOT** overload the spreader - see Specification.
- ✗ **DO NOT** leave unattended, especially when loaded.
- ✗ **DO NOT** allow anybody to sit, stand, or ride on the spreader.
- ✗ **DO NOT** allow untrained personnel to use the spreader.
- ✗ **DO NOT** allow children to play in or climb onto the spreader.
- ✗ **DO NOT** use on windy days when spreading seeds or herbicides.
- ✗ **DO NOT** tow this spreader with a motorized vehicle of any sort.
- ✗ **DO NOT** use the spreader for purposes other than for which it is designed.
- ✗ **DO NOT** operate the spreader when you are tired or under the influence of alcohol, drugs or intoxicating medicines.
- ✗ **DO NOT** operate the spreader over edges, rough surfaces etc., where the spreader is at risk of overturning.
- ☐ **WARNING!** Failure to comply with these instructions may result in damage to spreader or other property and/or personal injury.
- ☐ **WARNING!** The warnings, cautions and instructions in this manual cannot cover all possible conditions and situations that may occur. It must be understood by the operator that common sense and caution are factors which cannot be built into this product, but must be applied by the operator.

**NOTE:** This appliance is not intended for use by persons (including children) with reduced physical, sensory or mental capabilities or lack of experience and knowledge, unless they have been given supervision or instruction concerning the use of the appliance by a person responsible for their safety. Children should be supervised to ensure that they do not play with the appliance.

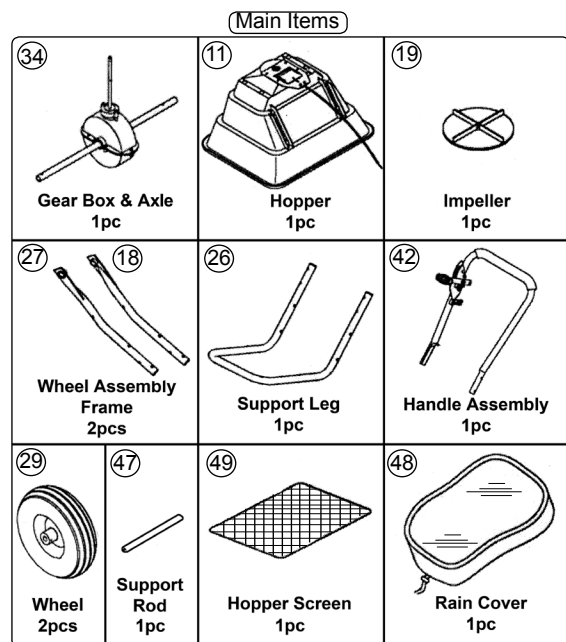
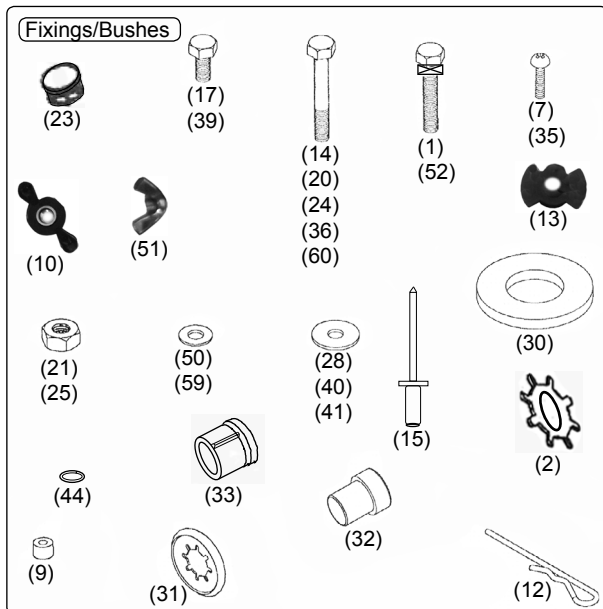
## 2. INTRODUCTION

Manufactured with a strong tubular stainless steel frame and polypropylene dispensing hopper. Features corrosion resistant stainless steel feed system ideal for spreading salt and grit. Fitted with nylon gear and adjustable feed system. Sprays in 360° motion to cover a large area. Suitable for a variety of horticultural agents including grit, seed, salt, fertiliser and weed killer.

## 3. SPECIFICATION

Model No. .... **SSB37W**  
 Capacity (Weight) ..... 37kg  
 Capacity (Volume) ..... 29ltr  
 Spread ..... 3-3.6mtr  
 Weight ..... 10.44kg  
 Dimensions (W x D x H) ..... 550 x 940 x 860mm

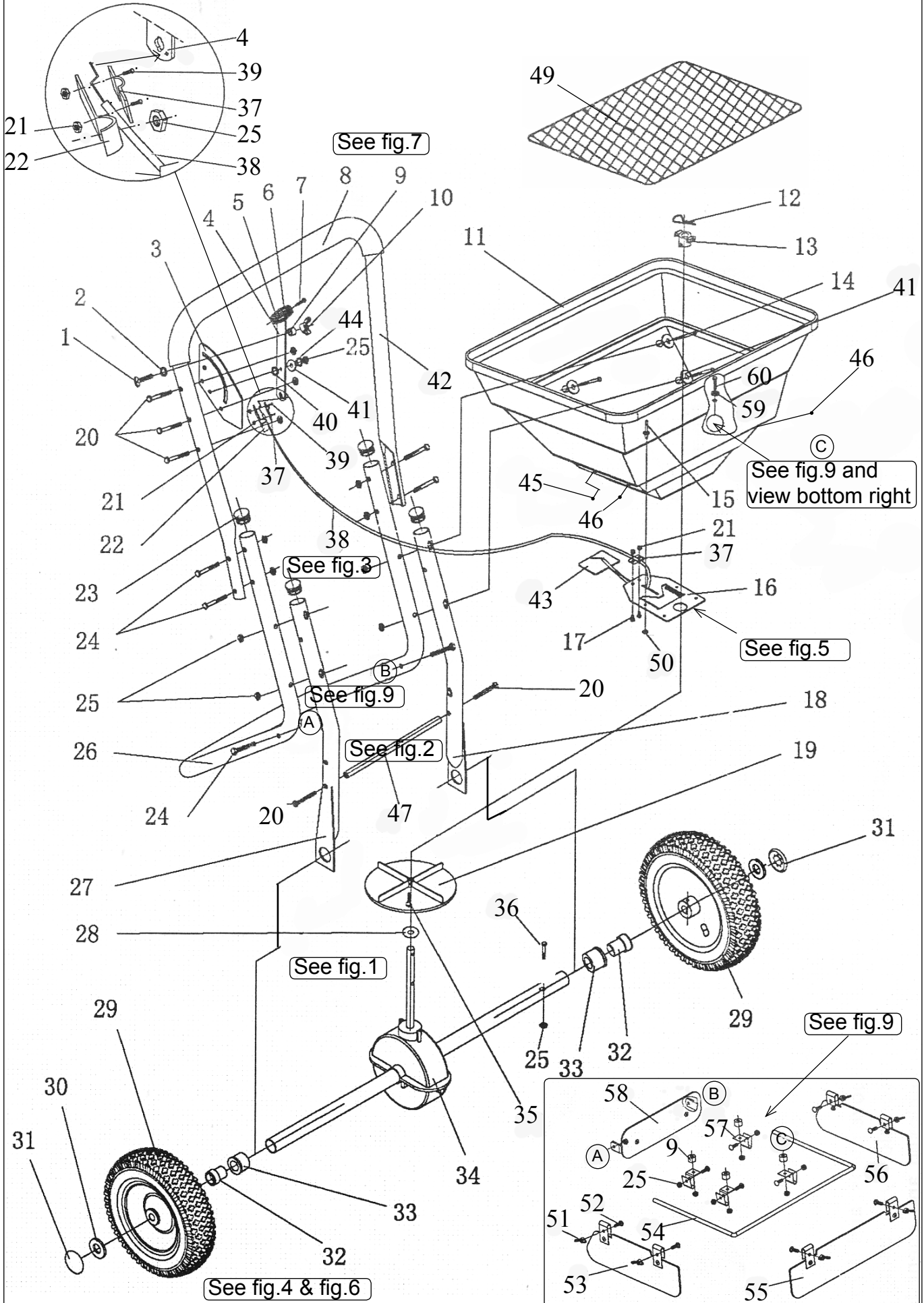
## 4. CONTENTS



PARTS LIST					
Item	Description	Qty	Item	Description	Qty
1	Carriage Bolt M6x25	1	31	Axle End Cover	2
2	External Serrated Washer Ø8	1	32	Inner Axle Bushing	2
3	Gauge and Level Sub Assembly	1	33	Outer Axle Bushing	2
4	Adjuster Lever	1	34	Gearbox and Axle Sub Assembly	1
5	Split Handle	1	35	Screw M4x20	1
6	Split Handle	1	36	Hex Bolt M6x60	1
7	Round Head Screw M4x18	2	37	Clamp Plate	2
8	Handle Grip	1	38	Hopper Control Cable	1
9	Plastic Spacer	5	39	Hex Screw M5x10	2
10	Plastic Clamp Knob	1	40	Nylon Washer	1
11	Hopper	1	41	Large Flat Washer Ø6	5
12	"R" Pin Ø2.5x80 (Agitator)	1	42	Handle Bar	1
13	Centre Hub (Plastic)	1	43	Throat Plate	1
14	Hex Bolt M6x70	4	44	Single Coil Spring Washer Ø6	1
15	Pop Rivet Ø5x13	4	45	Large Plug	1
16	Guide Plate	1	46	Small Plug	2
17	Hex Screw M5x12	4	47	Support Rod	1
18	Frame Fork (Left)	1	48	Rain Cover (not shown in diagram)	1
19	Impeller	1	49	Hopper Grille Screen	1
20	Hex Bolt M6x35	5	50	Flat Washer Ø5	4
21	Hex Theadlock Nut M5	4	51	Wing Nut M6	6
22	Anchor Bracket	1	52	Carriage Bolt M6x20	10
23	Tube End Cap	4	53	Left Deflector	1
24	Hex Bolt M6x40	6	54	Boom Rail	1
25	Hex Threadlock Nut M6	23	55	Front Deflector	1
26	Support Leg	1	56	Right Deflector	1
27	Frame Fork (Right)	1	57	Clamp Bracket	4
28	Thin Plastic Washer	1	58	Rear Deflector	1
29	Pneumatic Wheel	2	59	Flat Washer Ø6	4
30	Flat Washer Ø16	2	60	Hex Bolt M6x30	4

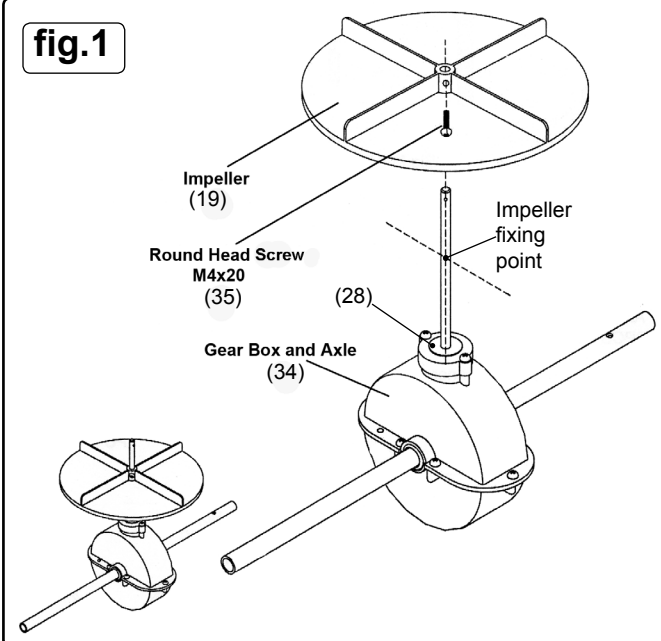
See fig.12

# COMPOSITE EXPLODED PARTS DIAGRAM

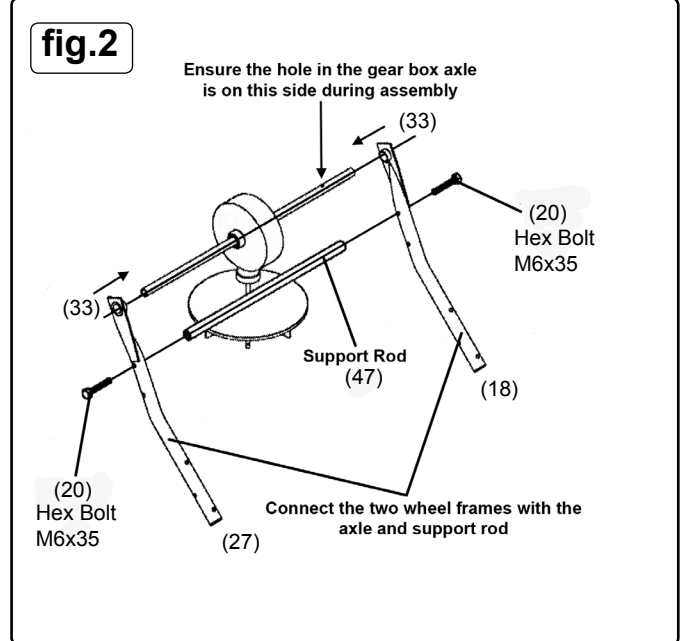


## 5. ASSEMBLY

**fig.1**



**fig.2**



**Note!** Before assembly ensure there are no missing parts or fixtures.

### 5.1. Refer to fig.1 for fitting the impeller.

5.1.1. Slide the Impeller (19), with vanes uppermost over the vertical axle on the gearbox (34). Align the hole in the impeller boss with the lower pre-drilled hole in the spindle.

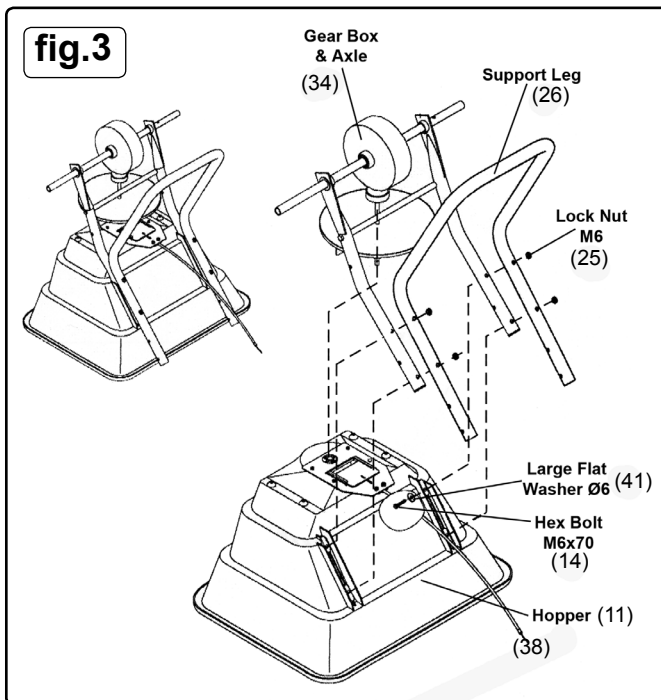
5.1.2. Secure the impeller to the axle with a round head screw M4x20 (35). Ensure the impeller is secured to the lower hole on the vertical axle.

### 5.2. Refer to fig.2 for fitting the wheel frames (forks).

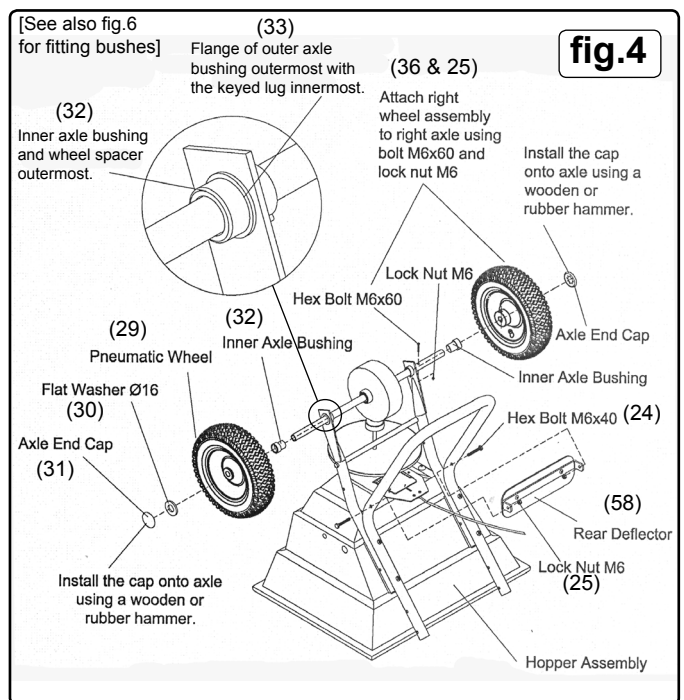
5.2.1. Slide the wheel frames (27) and (18) over the axle, ensure the bush housing (33) is facing inwards as in fig.5 and fig.6.

5.2.2. Secure with support rod (47) and M6x35 hex bolts (20).

**fig.3**



**fig.4**



### 5.3. Refer to fig.3 for support leg and gearbox fitting.

5.3.1. Take the hopper (11) and lay it upside down, lower the gearbox and frame onto the hopper, inserting the vertical axle through the hopper and centre hub (13).

5.3.2. On top of the wheel frame, lay the support leg (26), secure together with hex bolts M6x70 (14) and large washer (41), inserting from inside the hopper securing with lock nuts (25) on the outside.

### 5.4. Refer to fig.4 for undercarriage and rear deflector fitting.

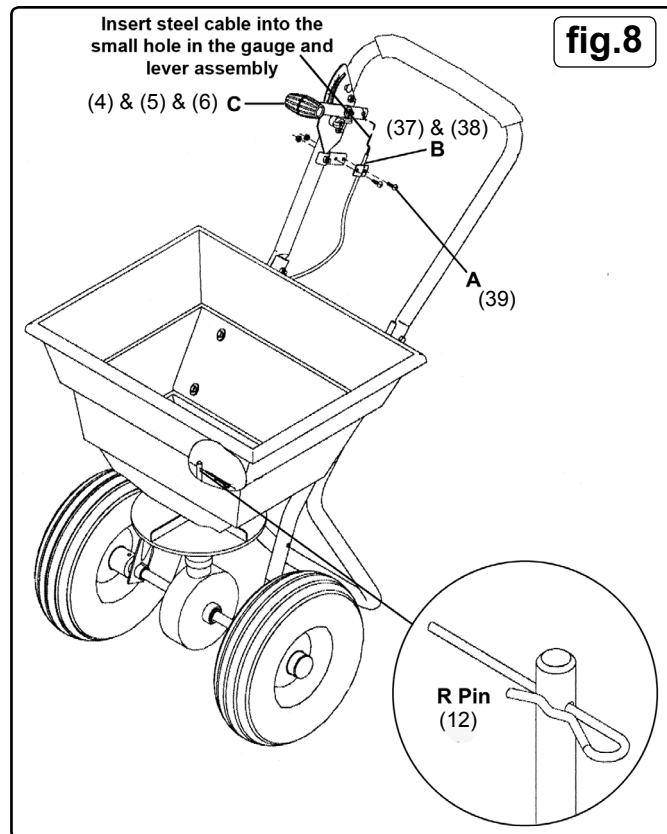
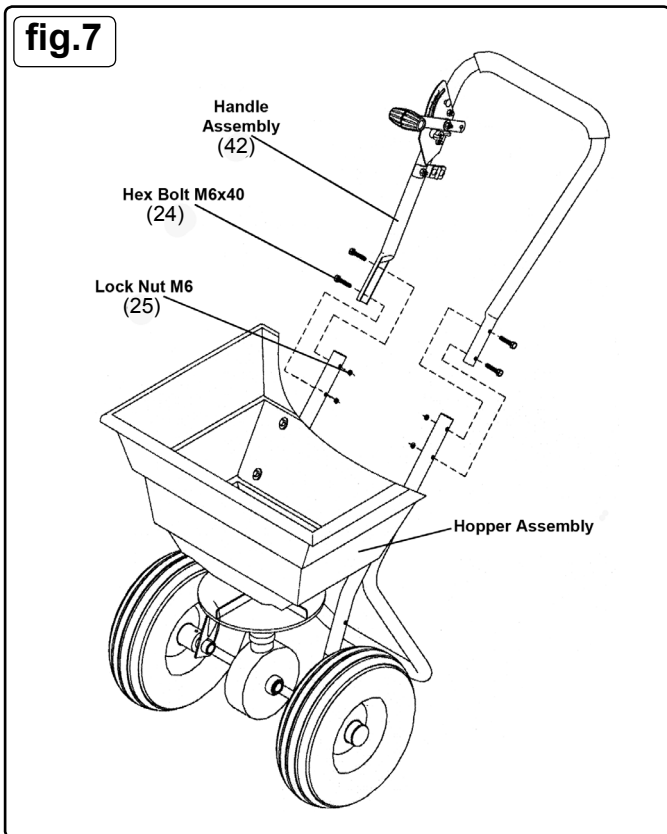
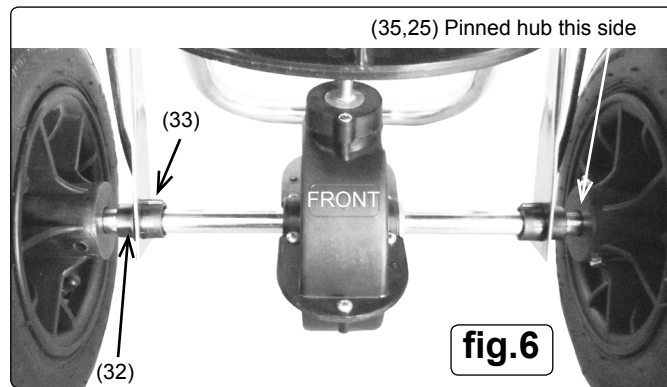
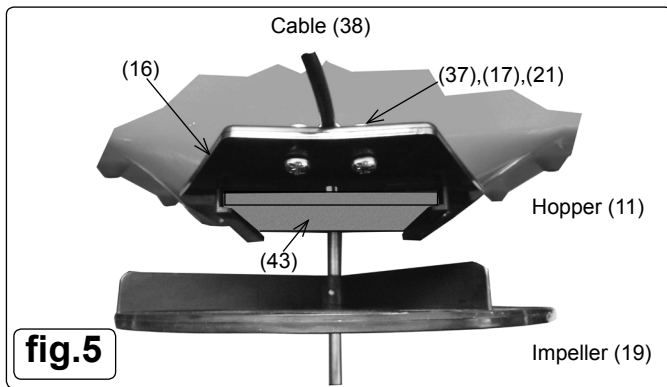
5.4.1. Slide the outer axle bushes (33) over the axle and push into the frame with location lobe innermost, see also fig.6.

5.4.2. Insert the inner axle bush (32) into the outer axle bush.

5.4.3. Fit the wheels (29). Secure the right hand wheel using hex bolt M6x60 (36) and a lock nut (25); see fig.4 and fig.6 for clarity.

5.4.4. Place a flat washer (30) over the end of the axle and then the axle caps (31). Use a soft faced mallet to ensure the axle caps are seated correctly.

5.4.5. Attach the rear deflector (58) to the support leg; fasten with M6x40 hex bolts (24) and M6 lock nuts (25).



**5.5. Refer to fig.7 for handle fitting.**

5.5.1. Turn the spreader onto its wheels and slide the handle assembly (42) around the frame, secure with 4 M6x40 hex bolts (24) and lock nuts (25).

**5.6. Refer to fig.8 for control lever and cable fitting.**

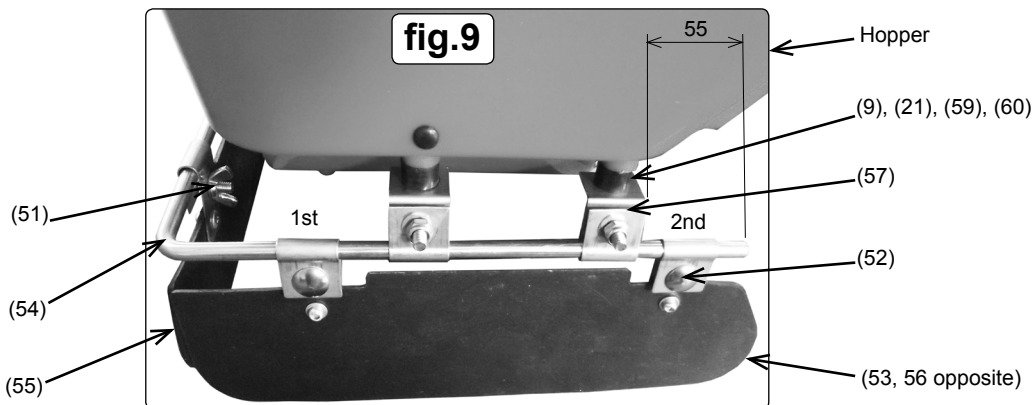
5.6.1. Insert the bent end of the control cable (38) into the small hole in the lever assembly.

5.6.2. Remove the hex screws (17) from the cable clamp, then insert the control cable into the clamp (A,B).

5.6.3. Re-insert hex screws to clamp control cable in place.

5.6.4. Move the flow control lever (C) down to open the spreader slot in the bottom of the hopper. If the hole (fig.13) is not fully exposed or fully closed, loosen the cable clamp (B) and adjust the cable.

5.6.5. Insert R-pin (12) through top of the vertical axle.



**5.7. Refer to fig.9 for fitting front and side deflectors.**

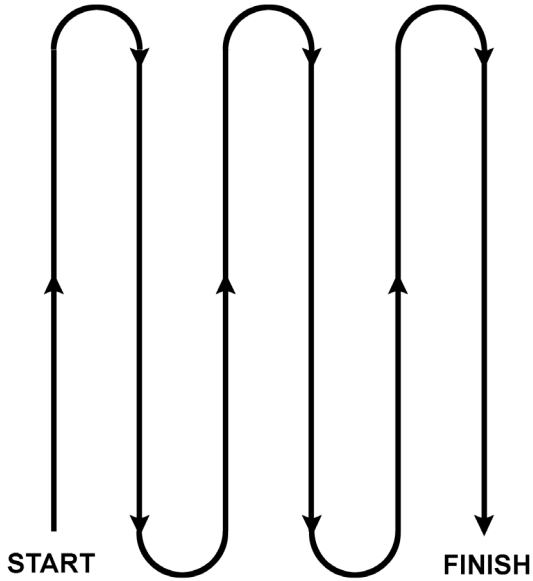
5.7.1. Offer the 4-M6 X 30 screws (60) from inside the hopper and fit 4 brackets (57) to underside of hopper with spacers (9) between.

5.7.2. Slide the boom rail (54) through the 1st clip in items (57) and (60), then brackets (57), finally the 2nd clip as indicated.

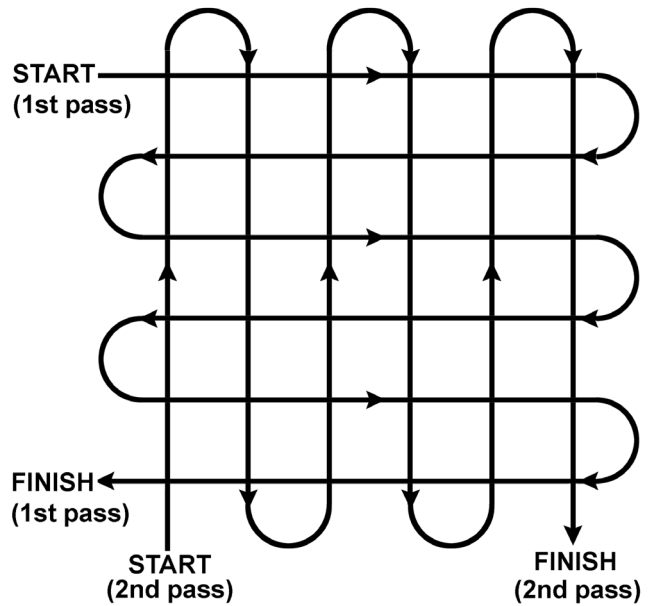
5.7.3. Clamp all 3 deflectors with wing nuts (51) and carriage bolts (52).

## 6. OPERATION

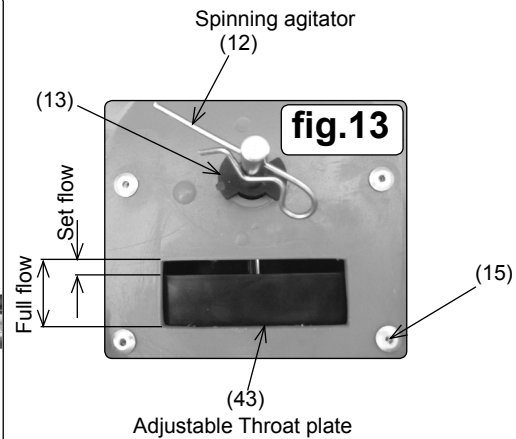
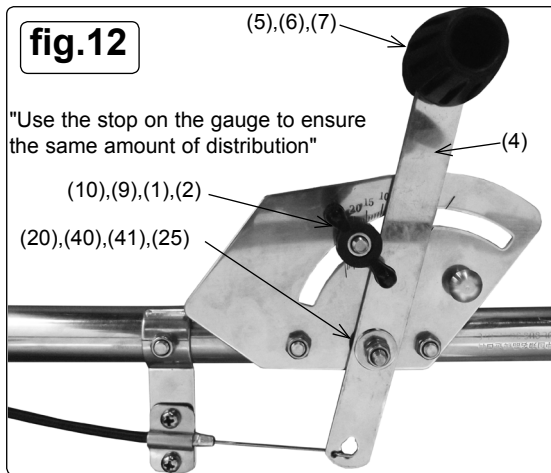
**fig.10 FULL RATE SETTINGS**



**fig.11 HALF RATE SETTINGS**



- 6.1. Prior to filling the hopper with salt/grit, ensure the hopper screen (49) is insitu. This will grade the salt/grit passing through to the throat plate and help prevent possible clogging.
- 6.2. Use the stop on the gauge to ensure the same amount of distribution (fig.12).
- 6.3. See figs.10 & 11 for suggested walking patterns depending on the level of coverage you require.
- 6.4. Always start walking prior to opening the flow control lever.
- 6.5. Every time you are ready to stop, or turn to make a new pass, close the flow control lever to stop dispensing the material and continue one more stride. This reduces waste with over saturated product coverage. **Ensure the stop bolt continues to register the spreader setting from table "B"**. Remember to start walking prior to opening the flow control lever.
- 6.6. To ensure consistent coverage, make sure each broadcast pattern slightly overlaps the previous one.
- 6.7. Make sure that any broadcast material does not come into contact with trees, shrubs and flowers that could be harmed by the material.
- 6.8. Clean the spreader thoroughly after each use paying particular attention to the throat plate and the bottom of the hopper.



**(CHART 'A') SQUARE FOOT COVERAGE PER BAG (LBS/1000SQ.FT)**

WEIGHT OF BAG (LBS)	5000 SQ.FT COVERAGE	10000 SQ.FT COVERAGE	15000 SQ.FT COVERAGE
5	1.0lb	0.5lb	0.3lb
10	2.0lb	1.0lb	0.7lb
15	3.0lb	1.5lb	1.0lb
20	4.0lb	2.0lb	1.3lb
25	5.0lb	2.5lb	1.7lb
30	6.0lb	3.0lb	2.0lb
35	7.0lb	3.5lb	2.3lb
40	8.0lb	4.0lb	2.3lb
45	9.0lb	4.5lb	3.0lb
50	10.0lb	5.0lb	3.3lb
55	11.0lb	5.5lb	3.7lb

## (CHART 'B') SPREADER SETTINGS/SPREADER WIDTHS

MATERIALS TO BE USED	LBS/1000 SQ.FT	SPREADER SETTING	SMALL PARTICLE SPREAD	MEDIUM PARTICLE SPREAD	LARGE PARTICLE SPREAD
SALT GRIT OTHER MATERIALS-: FERTILISER WEED KILLER E.T.C.	1	4	5-6 ft	6-9 ft	9-12 ft
	2	6	5-6 ft	6-9 ft	9-12 ft
	3	8	5-6 ft	6-9 ft	9-12 ft
	4	10	5-6 ft	6-9 ft	9-12 ft
	5	12	5-6 ft	6-9 ft	9-12 ft
	6	14	5-6 ft	6-9 ft	9-12 ft
	7	16	5-6 ft	6-9 ft	9-12 ft
	8	18	5-6 ft	6-9 ft	9-12 ft
	9	20	5-6 ft	6-9 ft	9-12 ft
	10	23	5-6 ft	6-9 ft	9-12 ft
	11	25	5-6 ft	6-9 ft	9-12 ft

### 6.9. CALCULATING THE AMOUNT OF MATERIAL NEEDED. (refer to Charts 'A' & 'B')

The spreader is designed to be pushed at three miles an hour, which is a brisk walking pace. Slower or faster speeds will change the spread pattern. Wet salt/grit will also change the spread pattern. See fig.13 for media agitator; promoting flow.

To calculate the amount of salt/grit needed, divide the coverage stated on the packaging by the weight of the bag.

For example, a 10lb bag of salt/grit with a coverage of 10,000 sq.ft. will distribute 1lb of salt/grit every 1,000 sq.ft. at full rate or 1/2lb. of salt/grit every 1,000 sq.ft. at half rate.

6.10. For pre-calculated rates see **Chart 'A'** (Example: A 25lb bag with a 15,000 sq.ft. coverage requires 1.7lb of media per 1,000 sq.ft.)

6.11. Use **Chart 'B'** to find the closest spreader setting. For example, 1.7lb per 1000 sq.ft. = spreader setting 6)

6.12. Use both charts as a guide only; experience will replace necessity to use the charts but they will be a good reference point.

## 7. MAINTENANCE

7.1. After each use clean material out of hopper.

7.1.1. Rinse/dry inside and outside of spreader after each use.

7.1.2. Before operating make sure that the tyres are inflated to the correct pressure i.e. 25psi maximum.

7.1.3. Periodically check all fastenings are tight.

7.1.4. Check the condition of the "media agitator" (12) "R" pin, after continued use. Replace if required.

7.1.5. Annually clean and lightly lubricate cable.

7.1.6. To avoid damaging the spreader never exceed the rated load capacity of 37kg.

7.1.7. Use the rain cover (48) when necessary. Avoid using the spreader when raining, unless essential.

### 7.2. STORAGE.

7.2.1. Before storing ensure that the spreader is clean and dry; fit the rain cover.

7.2.2. Store indoors or in a protected area during severe weather and in the winter months.

7.2.3. **DO NOT** allow material to stay in the hopper for extended periods of time.



### Environmental Protection



Recycle unwanted materials instead of disposing of them as waste. All tools, accessories and packaging should be sorted, taken to a recycling centre and disposed of in a manner which is compatible with the environment.

When the product becomes completely unserviceable and requires disposal, drain off any fluids (if applicable) into approved containers and dispose of the product and the fluids according to local regulations.

**NOTE:** It is our policy to continually improve products and as such we reserve the right to alter data, specifications and component parts without prior notice.

**IMPORTANT:** No liability is accepted for incorrect use of this product.

**WARRANTY:** Guarantee is 12 months from purchase date, proof of which will be required for any claim.

**INFORMATION:** For a copy of our latest catalogue and promotions call us on 01284 757525 and leave your full name and address, including postcode.



Sole UK Distributor, Sealey Group,  
Kempson Way, Suffolk Business Park,  
Bury St. Edmunds, Suffolk,  
IP32 7AR



01284 757500



01284 703534



www.sealey.co.uk



sales@sealey.co.uk