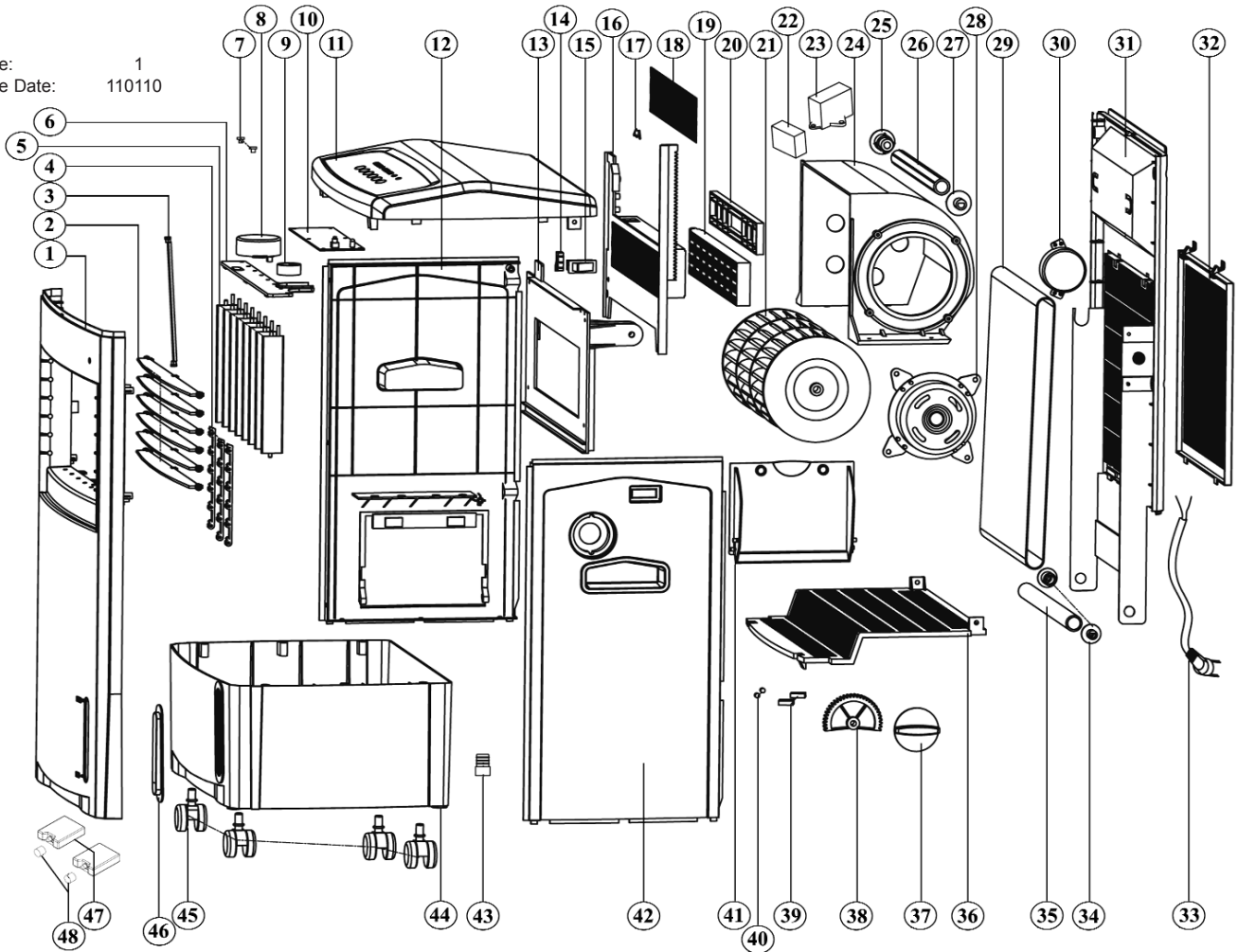


PARTS FOR:
**AIR COOLER / HEATER / AIR PURIFIER /
 HUMIDIFIER**
 MODEL: **SAC41.V2**

Issue: 1
 Issue Date: 110110



ITEM	PART NO	DESCRIPTION	ITEM	PART NO	DESCRIPTION
1	SAC41.V2-01	FRONT COVER	26	SAC41.V2-26	AXLE FOR WATER CURTAIN
2	SAC41.V2-02	HORIZONTAL VANE	27	SAC41.V2-27	AXLE SLEEVE (SHORT)
3	SAC41.V2-03	AIR OUTLET CONNECTOR	28	SAC41.V2-28	FAN MOTOR
4	SAC41.V2-04	CONNECTION ROD FOR VANE	29	SAC41.V2-29	WATER CURTAIN
5	SAC41.V2-05	VERTICAL VANE	30	SAC41.V2-30	MOTOR FOR WATER CURTAIN
6	SAC41.V2-06	CONNECTION BOARD FOR VERTICAL VANE	31	SAC41.V2-31	BACK COVER
7	SAC41.V2-07	POSITIONING BLOCK	32	SAC41.V2-32	FILTER
8	SAC41.V2-08	MOTOR	33	SAC41.V2-33	POWER CORD
9	SAC41.V2-09	CAM	34	SAC41.V2-34	AXLE SLEEVE
10	SAC41.V2-10	PCB BOARD	35	SAC41.V2-35	AXLE
11	SAC41.V2-11	UPPER COVER	36	SAC41.V2-36	BAFFLE
12	SAC41.V2-12	LEFT COVER	37	SAC41.V2-37	KNOB
13	SAC41.V2-13	PTC HOLDER	38	SAC41.V2-38	GEAR
14	SAC41.V2-14	MICRO SWITCH	39	SAC41.V2-39	METAL CLIP
15	SAC41.V2-15	POWER SWITCH	40	SAC41.V2-40	MAGNET
16	SAC41.V2-16	BRACKET FOR PTC	41	SAC41.V2-41	WATER DOOR
17	SAC41.V2-17	THERMAL LINK	42	SAC41.V2-42	RIGHT COVER
18	SAC41.V2-18	METAL GRILLE	43	SAC41.V2-43	WATER PLUG
19	SAC41.V2-19	PTC HEATER	44	SAC41.V2-44	WATER TANK
20	SAC41.V2-20	AIR DUCT BAFFLE	45	SAC41.V2-45	WHEEL
21	SAC41.V2-21	FAN	46	SAC41.V2-46	WATER LEVEL SCREEN
22	SAC41.V2-22	MOTOR CAPACITOR	47	SAC41.V2-47	ICE BOX
23	SAC41.V2-23	EMC FILTER	48	SAC41.V2-48	ICE BOX CAP
24	SAC41.V2-24	AIR DUCT BRACKET	--	SAC41.V2-49	CARBON FILTER (not shown)
25	SAC41.V2-25	AXLE SLEEVE (LONG)			

NOTE: It is our policy to continually improve products and as such we reserve the right to alter data, specifications and component parts without prior notice.

IMPORTANT: No liability is accepted for incorrect use of product.

WARRANTY: Guarantee is 12 months from purchase date, proof of which will be required for any claim.

INFORMATION: For a copy of our latest catalogue and promotions call us on 01284 757525 and leave your full name and address, including postcode.