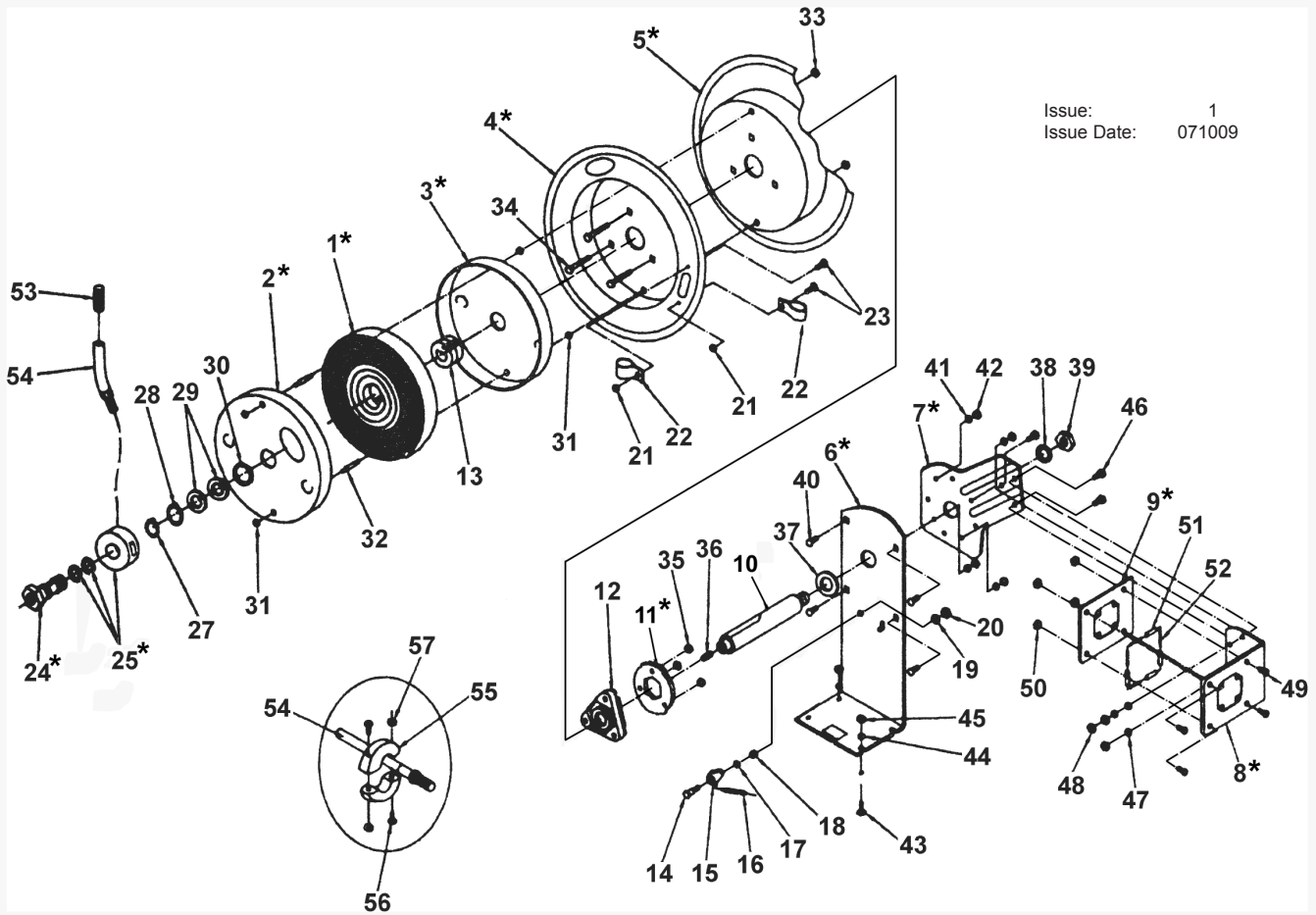


Issue: 1
 Issue Date: 071009



ITEM	PART NO	DESCRIPTION	ITEM	PART NO	DESCRIPTION
1	SA841.01	SPRING	35	SA841.35	NUT,KEPS 6mm
2	SA841.02	DRUM ASSEMBLY(INCLUDES PARTS 2,3,4,5) C/W SPRING	36	SA841.36	SET SCREW (10x30mm)
6	SA841.06	BASE,ARM,PLATE & RING ASM (PARTS 6,7,8,9,11)	37	SA841.37	WASHER,SPACER (25.5x2.5mm)
10	SA841.10	AXLE	38	SA841.38	WASHER, 16mm
12	SA841.12	HUB BEARING ASSEMBLY	39	SA841.39	NUT,16mm
13	SA841.13	CORE OF SPRING	40	SA841.40	BOLT (8x18mm)
14	SA841.14	BOLT (M10X35)	41	SA841.41	WASHER,LOCK 8mm
15	SA841.15	CAM,LOCKING	42	SA841.42	NUT,LOCK 8mm
16	SA841.16	SPRING,DOG	43	SA841.43	BOLT (10x25mm)
17	SA841.17	WASHER,SPACER (13.5X1.6mm)	44	SA841.44	WASHER,SPACER 10mm
18	SA841.18	WASHER,SPACER (13.5X6.6mm)	45	SA841.45	NUT, 10mm
19	SA841.19	WASHER,LOCK 10mm	46	SA841.46	BOLT (8x18mm)
20	SA841.20	NUT,JAM 10mm	47	SA841.47	WASHER,LOCK 8mm
21	SA841.21	NUT,KEPS 5mm	48	SA841.48	NUT,LOCK 8mm
22	SA841.22	CLAMP	49	SA841.49	BOLT (5x9.5mm)
23	SA841.23	BOLT (5X9.5mm)	50	SA84.50	NUT
24	SA841.24	VALVE ASSEMBLY	51	SA841.51	ROLLER (18.5x34.5mm)
25	SA841.25	VALVE ASSEMBLY (PARTS 24 & 26)	52	SA841.52	ROLLER AXLES (2 @ 6 X 50MM, 2 @ 6 X 85MM)
27	SA841.27	RETAINING RING (18.5x1mm)	53	SA841.53	HOSE GUARD
28	SA841.28	RETAINING RING (19x2mm)	54	SA841.54	AIR HOSE 15MTR
29	SA841.29	WASHER,SPACER (19.5x1.5mm)	55	SA841.55	RUBBER BUMPER BLOCK
30	SA841.30	WASHER,SPACER (25.5x1.5mm)	56	SA841.56	BOLT (6x22mm)
31	SA841.31	NUT,KEPS 5mm	57	SA841.57	NUT 6mm
32	SA841.32	AXLE,THREADED, (5x53mm)	58	SA841.58	AIR INLET HOSE (not shown)
33	SA841.33	NUTS,KEPS 5mm			
34	SA841.34	BOLT (6x38mm)			

Parts marked with "*" are only available in assemblies as detailed

NOTE: It is our policy to continually improve products and as such we reserve the right to alter data, specifications and component parts without prior notice.

IMPORTANT: No liability is accepted for incorrect use of product.

WARRANTY: Guarantee is 12 months from purchase date, proof of which will be required for any claim.

INFORMATION: For a copy of our latest catalogue and promotions call us on 01284 757525 and leave your full name and address, including postcode.