

Thank you for purchasing a Sealey product. Manufactured to a high standard this product will, if used according to these instructions and properly maintained, give you years of trouble free performance.



**IMPORTANT: PLEASE READ THESE INSTRUCTIONS CAREFULLY. NOTE THE SAFE OPERATIONAL REQUIREMENTS, WARNINGS & CAUTIONS. USE THE PRODUCT CORRECTLY AND WITH CARE FOR THE PURPOSE FOR WHICH IT IS INTENDED. FAILURE TO DO SO MAY CAUSE DAMAGE AND/OR PERSONAL INJURY AND WILL INVALIDATE THE WARRANTY. PLEASE KEEP INSTRUCTIONS SAFE FOR FUTURE USE.**

### 1. SAFETY INSTRUCTIONS

#### 1.1. ELECTRICAL SAFETY

**WARNING!** It is the responsibility of the owner and the operator to read, understand and comply with the following:

You must check all electrical products, before use, to ensure that they are safe. You must inspect power cables, plugs, sockets and any other connectors for wear or damage. You must ensure that the risk of electric shock is minimised by the installation of appropriate safety devices. A Residual Current Circuit Breaker (RCCB) should be incorporated in the main distribution board. We also recommend that a Residual Current Device (RCD) is used. It is particularly important to use an RCD with portable products that are plugged into a supply which is not protected by an RCCB. If in any doubt consult a qualified electrician. You may obtain a Residual Current Device by contacting your Sealey dealer.

**You must** also read and understand the following instructions concerning electrical safety.

1.1.1. The **Electricity at Work Act 1989** requires all portable electrical appliances, if used on business premises, to be tested by a qualified electrician, using a Portable Appliance Tester (PAT), at least once a year.

1.1.2. The **Health & Safety at Work Act 1974** makes owners of electrical appliances responsible for the safe condition of those appliances and the safety of the appliance operators. **If in any doubt about electrical safety, contact a qualified electrician.**

1.1.3. Ensure that the insulation on all cables and on the appliance is safe before connecting it to the power supply. See 1.1.1. and 1.1.2. and use a Portable Appliance Tester.

1.1.4. Ensure that cables are always protected against short circuit and overload.

1.1.5. Regularly inspect power supply cables and plugs for wear or damage and check all connections to ensure that none is loose.

1.1.6. **Important:** Ensure that the voltage marked on the appliance matches the power supply to be used and that the plug is fitted with the correct fuse - see fuse rating at right.

1.1.7. **DO NOT** pull or carry the appliance by the power cable.

1.1.8. **DO NOT** pull the plug from the socket by the cable.


1.1.9. **DO NOT** use worn or damaged cables, plugs or connectors. Immediately have any faulty item replaced by a qualified electrician. When an ASTA/BS approved UK 3 pin plug is damaged, cut the cable just above the plug and **dispose of the plug safely.**

**a) Connect the GREEN/YELLOW earth wire to the earth terminal 'E'.**

**b) Connect the BROWN live wire to the live terminal 'L'.**

**c) Connect the BLUE neutral wire to the neutral terminal 'N'.**

**d) After wiring, check that there are no bare wires, that all wires have been correctly connected, that the cable outer insulation extends beyond the cable restraint and that the restraint is tight.**

Double insulated products, which are always marked with this symbol , are fitted with live (brown) and neutral (blue) wires only. To rewire, connect the wires as indicated above. **DO NOT** connect either wire to the earth terminal.

1.1.10. If an extension reel is used it should be fully unwound before connection. A reel with an RCD fitted is preferred since any appliance plugged into it will be protected. The cable core section is important and should be at least 1.5mm<sup>2</sup>, but to be absolutely sure that the capacity of the reel is suitable for this product and for others which may be used in the other output sockets, we recommend the use of 2.5mm<sup>2</sup> section cable.

#### 1.2 GENERAL SAFETY

**WARNING!** Disconnect the heater from the mains power supply before carrying out any servicing or maintenance.

✓ Disconnect the heater from the power supply before handling or cleaning.

✓ Maintain the heater in good order and clean condition for best and safest performance.

✓ Replace or repair damaged parts. *Use genuine parts only. Unauthorised parts may be dangerous and will invalidate the warranty.*

✓ Ensure there is adequate lighting and keep the immediate area in front of the outlet grille clear.

✓ Only use the heater standing on its feet in the upright position.

✗ **DO NOT** allow any untrained or incompetent persons to use the heater. Ensure they are familiar with the controls and hazards of the heater.

✗ **DO NOT** let power lead hang over an edge (i.e. table), or touch a hot surface, lie in heater hot air flow, or run under a carpet.

✗ **DO NOT** touch the outlet grille (top) of the heater during and immediately after use as it will be hot.

✗ **DO NOT** place the heater near items that may be damaged by heat.

✗ **DO NOT** allow children to touch or to operate the heater.

✗ **DO NOT** place heater too close to yourself or any object, allow the air to circulate freely.

✗ **DO NOT** use the heater for any purpose other than for which it is designed.

✗ **DO NOT** use heater on very deep pile carpets.

✗ **DO NOT** use the heater outdoors. These heaters are designed for indoor use only.

✗ **DO NOT** use heater if the power cord, plug or the heater is damaged, or if the heater has become wet.

✗ **DO NOT** use in bathroom, shower room, or in any wet or damp environments or where there is high condensation.

✗ **DO NOT** operate the heater when you are tired or under the influence of alcohol, drugs or intoxicating medication.

✗ **DO NOT** allow the heater to get wet as this may result in an electric shock and personal injury.

✗ **DO NOT** insert or allow objects to enter any openings of heater as this may cause an electric shock, a fire or damage to heater.

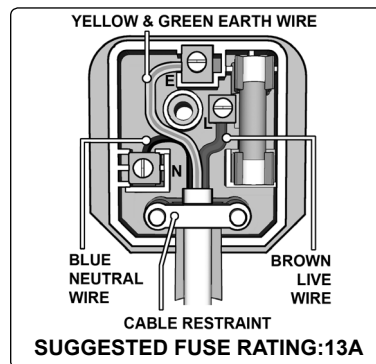
✗ **DO NOT** use the heater where there are flammable liquids, solids or gases such as petrol, solvents, aerosols etc, or where heat sensitive materials may be stored.

✗ **DO NOT** place the heater immediately below any electrical outlet.

✗ **DO NOT** cover heater when in use, and do not obstruct the air inlet and outlet grille (i.e. clothing, curtain, furniture, bedding etc).

✓ Allow the unit to cool before storage. When not in use, disconnect from the mains power supply and store in a safe, cool, dry, childproof area.

**NOTE:** This appliance is not intended for use by persons (including children) with reduced physical, sensory or mental capabilities or lack of experience and knowledge, unless they have been given supervision or instruction concerning the use of the appliance by a person responsible for their safety. Children should be supervised to ensure that they do not play with the appliance.



## 2. INTRODUCTION & SPECIFICATIONS

Electric convector heater with three heat settings of 750/1250/2000W for gradual control of heating elements. Rotary controlled room thermostat maintains ambient temperature at pre-set level. Features built-in turbo fan for accelerated heating and 24 hour timer allowing the user to programme the time and duration the heater is operated. Can be used freestanding or wall mounted. Slimline sturdy construction and high quality finish makes this unit suitable for home, light industrial and office environments. Supplied with 13Amp non-rewirable ASTA approved plug and wall mounting kit.

Model No: .....	CD2005TT
Power Settings: .....	750/1250/2000W
Supply: .....	230V
Size (WxDxH): .....	595 x 200x 420mm
Weight: .....	2.9kg

## 3. ASSEMBLY

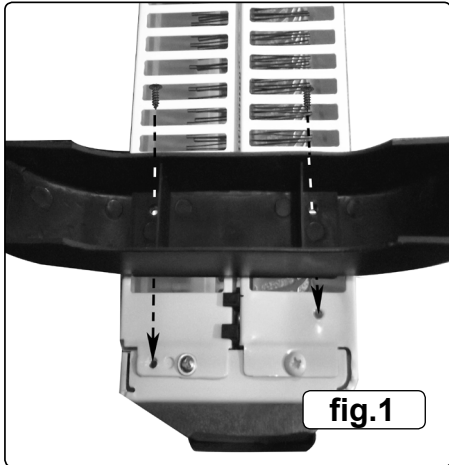


fig.1

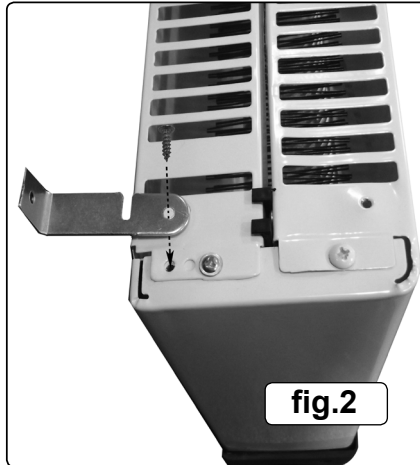


fig.2

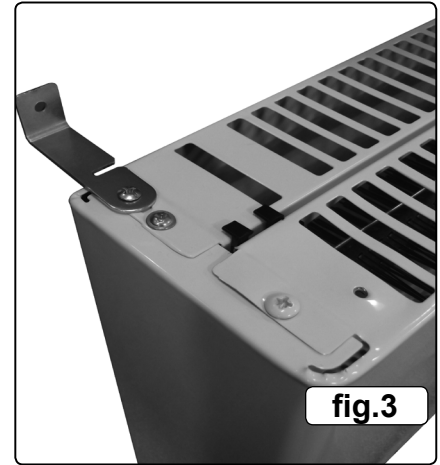


fig.3

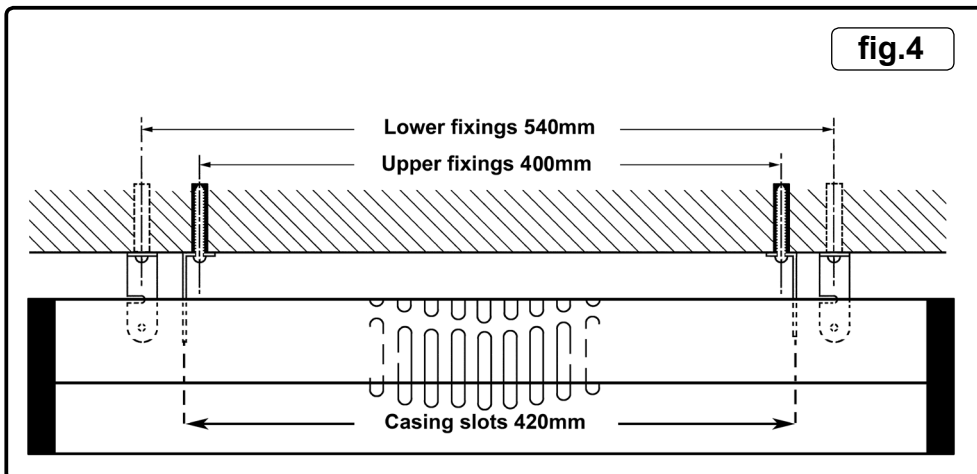


fig.4

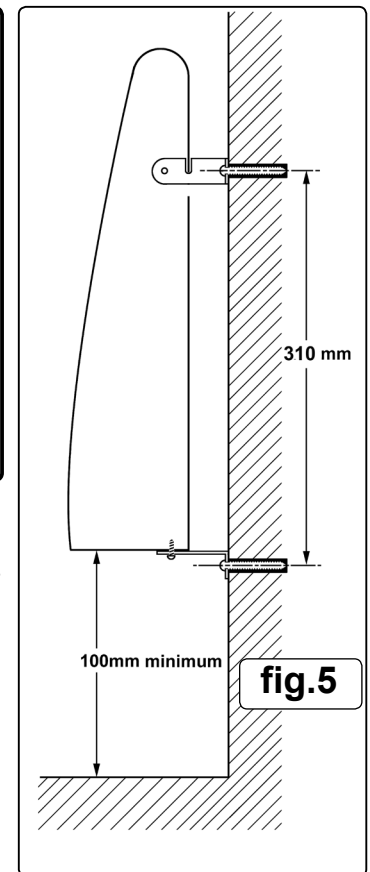


fig.5

- The heater can be free standing on the feet provided or can be wall mounted using the wall mounting brackets.
- Mounting the feet. (fig.1.)** Turn the heater upside down and support it securely. Take one of the feet and place it onto the underside of the heater in the position indicated in fig.1. When the foot is positioned correctly 2 holes in the foot will line up with the holes in the underside of the heater. Fasten each foot down with the self tapping screws provided.
- Wall mounting the heater.** The wall mounting kit consists of four wall mounting brackets as shown in fig.6. (two left hand and two right hand) and four 35mm fixing screws with wall plugs. Locate the heater close to a mains supply socket.
- Sort the wall mounting brackets into two pairs having a right hand and a left hand bracket in each pair. Take one pair of brackets and mount them to the underside of the heater using self tapping screws as shown in fig.2 and fig.3. Each bracket should be fixed in the pre-drilled holes provided.
- Take the other pair of brackets and fix them to the wall with the wall plugs provided as shown in fig.6. The hanging slots should be facing upwards and the two brackets should be facing towards each other 420mm apart as shown in fig.4. The fixings should be at least 800mm above the floor to give a minimum clearance of 100mm between the bottom of the heater and the floor as shown in fig.5. When the heater is wall mounted the feet are not required.
- Present the heater to the wall so that the wall mounting brackets enter the two slots in the back of the heater. Push the heater onto the brackets and allow it to drop into the hanging slots equally on both sides.
- The two lower mounting brackets should now be resting squarely on the wall. If not, rotate them slightly on their screws until the mounting surface is flat against the wall. Mark the mounting positions on the wall through the mounting holes. Remove the heater from the upper brackets and drill and plug the wall in the positions marked. Re-hang the heater on the upper brackets. Fix the lower brackets to the wall with the screws provided.
- To eliminate excess cable lying on the floor it may be necessary to shorten the cable to one short loop. Remove the plug. Shorten the cable and rewire the plug as shown in section 1.1.9.

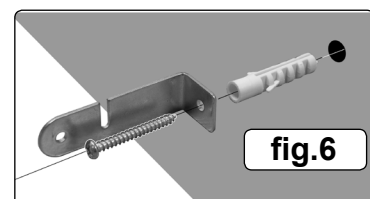


fig.6

## 4. HEATER OPERATION

- 4.1. **Operating the heater.** (See fig.7)  
 4.2. Place the heater in a suitable position in the area you require to heat. Allow a minimum of 500mm between the heater and adjacent objects such as furniture etc.  
 4.3. Plug the heater into the mains supply.  
 4.4. Turn the thermostat knob (fig.7.C) to a high setting.  
**Selecting the heat output.**  
 4.5. Choose the required heat output by selecting the appropriate switch which will light up when pressed.

Low setting	(750W)	Select switch 'A'
Medium setting	(1250W)	Select switch 'B'
High setting	(2000W)	Select both switches.

- 4.6. **Using the thermostat.**(fig.7.C)  
 Once the required room temperature has been achieved, turn the thermostat down slowly in the direction of the min. setting until the heat output switch light (part of each switch) goes out. The heater will then keep the surrounding air at the set temperature by switching on and off at intervals. You may reset the thermostat at any time.

- 4.7. **Turbo fan feature.**  
 To boost the output of air at any temperature setting select switch 'D' which has a fan symbol beside it. The fan can also be used to circulate cool air only by switching off the two heat setting switches.

- 4.8. **Timer function.**  
 4.8.1. To activate timer function, turn the outer ring (fig.7.E) to the correct time. This will need to be repeated every time that the heater is reconnected to the power supply.

- 4.8.2. The function selector switch (fig.7.F) has three positions:

Left.....Heater on permanently  
 Centre.....Heater timed.  
 Right.....Heater off. The heater will not operate at all with the switch set in this position.

- 4.8.3. To select the time during which the heater is active, move the timer pins (fig.7.G.) outwards for the period required. Each pin is equal to 15minutes.

- 4.9. To switch the unit off, turn the heat selecting switches off and unplug from the mains. Allow the unit to cool before handling or storage.

- ☐ **WARNING! DO NOT** touch the top of the heater when in use as it becomes hot.

- 4.10. **Safety cut out feature.**

The heater is fitted with a thermostatic safety cut out which will turn the heater off automatically should the airflow become blocked or if the heater has a technical malfunction. Should this happen, switch the heater off and unplug it from the mains power supply.

- ☐ **WARNING!** In such a case the heater will be very hot.

- x **DO NOT** connect the heater to the power supply again until the reason the safety cut out activated has been identified. Allow the heater to cool completely before handling and then check the air inlet and outlet for obstructions before attempting to switch the unit back on.

If the cause is not obvious return the heater to your local Sealey dealer for servicing.

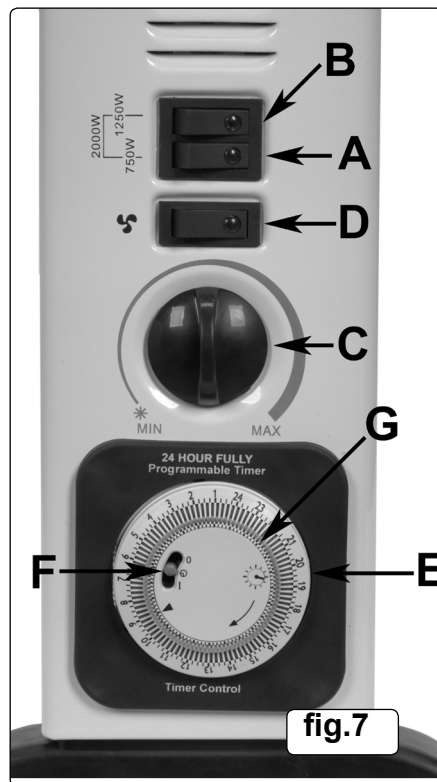


fig.7



## 5. MAINTENANCE

Before attempting any maintenance ensure the unit is unplugged from the mains power supply and that it is cool.

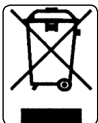
- 5.1. Clean the unit with a soft dry cloth. **DO NOT** use abrasives or solvents.  
 5.2. Periodically check the air inlet and outlet to ensure the air way is clear.

Parts support is available for this product. To obtain a parts listing and/or diagram, please log on to:  
[www.sealey.co.uk](http://www.sealey.co.uk), email: [sales@sealey.co.uk](mailto:sales@sealey.co.uk) or phone: 01284 757500.



### Environmental Protection.

Recycle unwanted materials instead of disposing of them as waste. All tools, accessories and packaging should be sorted, taken to a recycle centre and disposed of in a manner which is compatible with the environment.



### WEEE Regulations.

Dispose of this product at the end of its working life in compliance with the EU Directive on Waste Electrical and Electronic Equipment. When the product is no longer required, it must be disposed of in an environmentally protective way. Contact your local solid waste authority for recycling information.

**NOTE:** It is our policy to continually improve products and as such we reserve the right to alter data, specifications and component parts without prior notice.

**IMPORTANT:** No liability is accepted for incorrect use of this product.

**WARRANTY:** Guarantee is 12 months from purchase date, proof of which will be required for any claim.

**INFORMATION:** For a copy of our latest catalogue and promotions call us on 01284 757525 and leave your full name and address, including postcode.



Sole UK Distributor, Sealey Group,  
 Kempson Way, Suffolk Business Park,  
 Bury St. Edmunds, Suffolk,  
 IP32 7AR



01284 757500



[www.sealey.co.uk](http://www.sealey.co.uk)



01284 703534



[sales@sealey.co.uk](mailto:sales@sealey.co.uk)