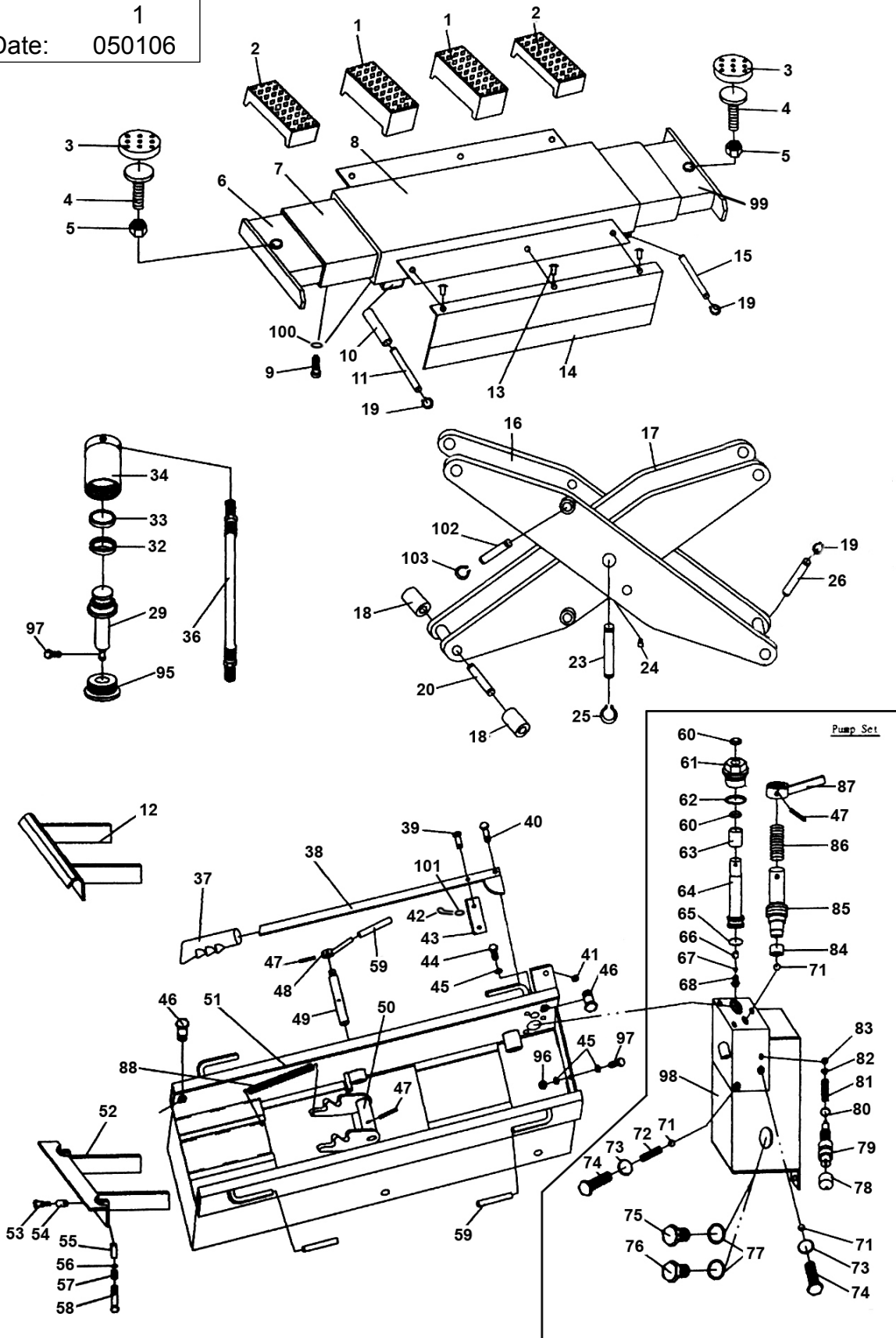


Issue: 1
 Issue Date: 050106





PARTS FOR:
JACKING BEAM
 MODEL: **SJBEX300**

Item	Part No.	Description	Item	Part No.	Description
1	SJBEX300.01	ALUMINIUM SADDLE 1	52	SJBEX300.52	FLAT-END MOUNTING
2	SJBEX300.02	ALUMINIUM SADDLE 2	53	SJBEX300.53	SCREW
3	SJBEX300.03	RUBBER SADDLE COVER	54	SJBEX300.54	BUSHING
4	SJBEX300.04	THREADED SADDLE	55	SJBEX300.55	BLOCK
5	SJBEX300.05	NUT	56	SJBEX300.56	SPRING WASHER
6	SJBEX300.06	ADJUSTABLE BEAM	57	SJBEX300.57	SPRING
7	SJBEX300.07	ADJUSTABLE BEAM	58	SJBEX300.58	BOLT
8	SJBEX300.08	LIFTING BEAM	59	SJBEX300.59	HANDLE GRIP
9	SJBEX300.09	SCREW	60	SJBEX300.60	U-RING
10	SJBEX300.10	SHAFT BUSHING	61	SJBEX300.61	PUMP HOUSING
11	SJBEX300.11	SHAFT	62	SJBEX300.62	SEAL WASHER
12	SJBEX300.12	HOOK END MOUNTING	63	SJBEX300.63	COPPER BUSHING
13	SJBEX300.13	RIVET	64	SJBEX300.64	PISTON
14	SJBEX300.14	PROTECTIVE PLATE	65	SJBEX300.65	O-RING
15	SJBEX300.15	SHAFT	66	SJBEX300.66	LINER
16	SJBEX300.16	OUTER SCISSORS ARM	67	SJBEX300.67	BALL 5mm
17	SJBEX300.17	INNER SCISSORS ARM	68	SJBEX300.68	SCREW
18	SJBEX300.18	SHAFT BUSHING	71	SJBEX300.71	BALL 6.35mm
19	SJBEX300.19	RETAINING RING	72	SJBEX300.72	SPRING
20	SJBEX300.20	SHAFT	73	SJBEX300.73	SEAL WASHER
23	SJBEX300.23	SHAFT	74	SJBEX300.74	BOLT
24	SJBEX300.24	OIL INLET	75	SJBEX300.75	AIR VENT VALVE
25	SJBEX300.25	RETAINING RING	76	SJBEX300.76	SCREW
26	SJBEX300.26	SHAFT	77	SJBEX300.77	O-RING
29	SJBEX300.29	PISTON	78	SJBEX300.78	COVER
32	SJBEX300.32	RETAINING RING	79	SJBEX300.79	ADJUSTING SCREW
33	SJBEX300.33	U-RING	80	SJBEX300.80	O-RING
34	SJBEX300.34	CYLINDER	81	SJBEX300.81	SPRING
36	SJBEX300.36	OIL PIPE	82	SJBEX300.82	SPRING GUIDE
37	SJBEX300.37	HANDLE GRIP	83	SJBEX300.83	BALL
38	SJBEX300.38	HANDLE	84	SJBEX300.84	SEAL WASHER
39	SJBEX300.39	PIN SHAFT	85	SJBEX300.85	RELEASE ROD
40	SJBEX300.40	BOLT	86	SJBEX300.86	SPRING
41	SJBEX300.41	NUT	87	SJBEX300.87	RELEASE KNOB
42	SJBEX300.42	SPLIT PIN	88	SJBEX300.88	SPRING
43	SJBEX300.43	BLOCK	95	SJBEX300.95	CYLINDER CAP
44	SJBEX300.44	BOLT	96	SJBEX300.96	NUT M8
45	SJBEX300.45	WASHER	97	SJBEX300.97	BOLT M8*25
46	SJBEX300.46	BOLT	98	SJBEX300.98	PUMP ASSEMBLY
47	SJBEX300.47	SPRING PIN	99	SJBEX300.99	ADJUSTABLE BEAM
48	SJBEX300.48	HANDLE KNOB	100	SJBEX300.100	SPRING WASHER
49	SJBEX300.49	SHAFT	101	SJBEX300.101	WASHER
50	SJBEX300.50	SAFETY LOCK	102	SJBEX300.102	SHAFT
51	SJBEX300.51	CHASSIS	103	SJBEX300.103	RATAINING RING

Issue:	1
Issue Date:	050106

NOTE: It is our policy to continually improve products and as such we reserve the right to alter data, specifications and component parts without prior notice.

IMPORTANT: No liability is accepted for incorrect use of this product.

WARRANTY: Guarantee is 12 months from purchase date, proof of which will be required for any claim.

INFORMATION: For a copy of our latest catalogue and promotions call us on 01284 757525 and leave your full name, address and postcode.

	Sole UK Distributor Sealey Group, Bury St. Edmunds, Suffolk.	01284 757500 01284 703534	www.sealey.co.uk sales@sealey.co.uk
--	--	--	--