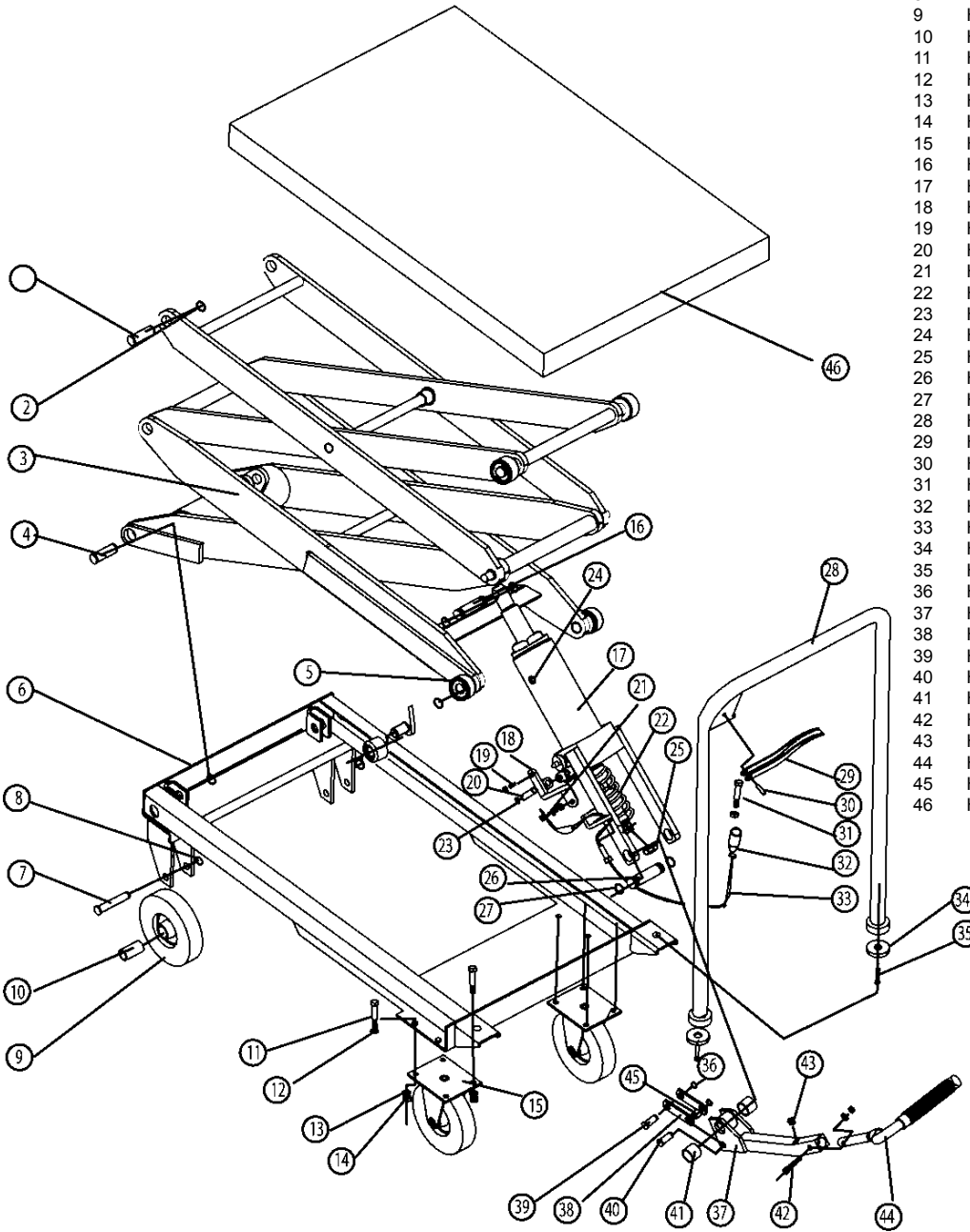


Version No: 1
Issue Date: 03/04/06



ITEM	PART NO.	DESCRIPTION
1	HPT400H.01	UP SLIDE PIN
2	HPT400H.02	WASHER
3	HPT400H.03	SLIDE ASSEMBLY
4	HPT400H.04	DOWN SLIDE PIN
5	HPT400H.05	PULLEY
6	HPT400H.06	BASE ASSEMBLY
7	HPT400H.07	FRONT WHEEL SHAFT
8	HPT400H.08	WASHER
9	HPT400H.09	WHEEL
10	HPT400H.10	WHEEL SHAFT SLEEVE
11	HPT400H.11	BOLT M8x22
12	HPT400H.12	WASHER
13	HPT400H.13	SPRING WASHER
14	HPT400H.14	NUT
15	HPT400H.15	CASTOR WHEEL ASS'Y
16	HPT400H.16	PISTON PIN SHAFT
17	HPT400H.17	HYDRAULIC POWER UNIT
18	HPT400H.18	RELEASE VALVE
19	HPT400H.19	RELEASE VALVE NUT
20	HPT400H.20	PIN
21	HPT400H.21	BOLT M8x20
22	HPT400H.22	SPRING
23	HPT400H.23	SPRING
24	HPT400H.24	NUT
25	HPT400H.25	SPRING WASHER
26	HPT400H.26	SUPPORT SHELF
27	HPT400H.27	WASHER
28	HPT400H.28	HANDLE
29	HPT400H.29	BRAKE HANDLE
30	HPT400H.30	PIN 6x28
31	HPT400H.31	BOLT M8x25
32	HPT400H.32	BOLT SLEEVE
33	HPT400H.33	BRAKE CABLE SLEEVE
34	HPT400H.34	BRAKE THREAD TUBE
35	HPT400H.35	BOLT M8x20
36	HPT400H.36	WASHER
37	HPT400H.37	FOOT PEDAL
38	HPT400H.38	LINKING PLATE
39	HPT400H.39	PLUNGER PIN
40	HPT400H.40	COTTER PIN
41	HPT400H.41	SHAFT SLEEVE
42	HPT400H.42	HEX BOLT M8x25
43	HPT400H.43	BUMPER WASHER
44	HPT400H.44	LIFTING PEDAL
45	HPT400H.45	SMALL SHAFT SLEEVE
46	HPT400H.46	TABLE

NOTE: It is our policy to continually improve products and as such we reserve the right to alter data, specifications and component parts without prior notice.