

Thank you for purchasing a Sealey product. Manufactured to a high standard this product will, if used according to these instructions and properly maintained, give you years of trouble free performance.



IMPORTANT: PLEASE READ THESE INSTRUCTIONS CAREFULLY. NOTE THE SAFE OPERATIONAL REQUIREMENTS, WARNINGS AND CAUTIONS. USE THIS PRODUCT CORRECTLY AND ONLY FOR ITS INTENDED PURPOSE. FAILURE TO DO SO MAY CAUSE DAMAGE AND/OR PERSONAL INJURY AND WILL INVALIDATE THE WARRANTY. RETAIN THESE INSTRUCTIONS FOR FUTURE USE.

W350 x D250 x H250



SKS01

W380 x D300 x H300



SKS02

W350 x D330 x H500



SKS04

1. SAFETY

- ❑ **WARNING!** These safes are heavy and care should be exercised in transit and handling to ensure that no one is injured.
- ❑ **WARNING!** The **SKS04** is a 2 man lift both for transit and installation.
- ✓ For maximum security, these safes must be securely fixed to a floor and/or wall. At all times, these safes should be positioned on a level floor/surface.
- ✗ **DO NOT** install in areas where damp and condensation are present.

2. INTRODUCTION

Heavy-duty steel construction with twin locking bolts. Powder coated finish to help prevent corrosion. Compact design, pre-drilled holes and security fixings allow safe to be fixed to the floor and/or to the wall and hidden away discreetly. Model numbers SKS02 and SKS04 include a single shelf to help utilize the area inside the safe. Supplied with two keys.

3. INSTALLATION

- 3.1. Careful consideration should be given to the sighting of the safe to ensure that it is discreetly placed and not easily found by any intruders.
- 3.2. Each safe is supplied with four anchor bolts suitable for fixing to brick and concrete.
- 3.3. Fixing to hollow partition walls is not recommended. If fixed to wood it must be to a solid wooden structure.
- 3.4. Open the door of the safe and with the help of a second person, position it where required and mark the mounting positions through the pre-drilled holes in either the back or the base of the safe.
- 3.5. Drill four 10mm holes to a depth of 38mm and insert the four anchor bolts with nuts and washers removed. (fig.1.A&B)
- 3.6. Position the safe over the four protruding mounting studs and support it there whilst placing a washer, split washer and nut onto each stud. (fig.1.C)
- 3.7. Continue to support the safe whilst tightening the fixings using a 10mm spanner. (fig.1.D)

Serial No.

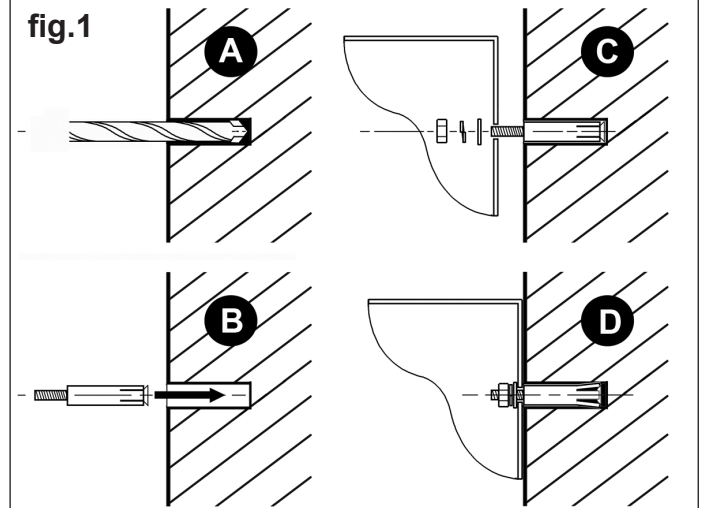
NOTE: It is our policy to continually improve products and as such we reserve the right to alter data, specifications and component parts without prior notice.

IMPORTANT: No liability is accepted for incorrect use of this product.

WARRANTY: Guarantee is 12 months from purchase date, proof of which will be required for any claim.

INFORMATION: For a copy of our latest catalogue and promotions call us on 01284 757525 and leave your full name and address, including postcode.

fig.1



4. OPERATION

- 4.1. Appoint key holders for the two keys provided and discuss security arrangements for the safekeeping and availability of the keys.
- 4.2. To open safe, insert key into lock. If it will not go in, try the key the other way up. Turn the key clockwise and open the door. Place items for safe keeping into the safe. Fully close the door and turn the key anti-clockwise to lock. Remove key and keep safe until required again.
- 4.3. Should you lose your keys we can supply replacements. To order these please contact our sales office on 01284 757500 and quote the unique serial number relating to your safe, this can be found on the front of this manual. We will also require a copy of your purchase invoice for the safe to confirm that you are the owner. Please note that replacement keys are special order only (we do not carry these in stock for security reasons) and as such they can take 14 – 28 days to arrive.