

Thank you for purchasing a Sealey product. Manufactured to a high standard this product will, if used according to these instructions and properly maintained, give you years of trouble free performance.



IMPORTANT: PLEASE READ THESE INSTRUCTIONS CAREFULLY. NOTE THE SAFE OPERATIONAL REQUIREMENTS, WARNINGS & CAUTIONS. USE THE PRODUCT CORRECTLY AND WITH CARE FOR THE PURPOSE FOR WHICH IT IS INTENDED. FAILURE TO DO SO MAY CAUSE DAMAGE AND/OR PERSONAL INJURY AND WILL INVALIDATE THE WARRANTY. PLEASE KEEP INSTRUCTIONS SAFE FOR FUTURE USE.

1. SAFETY INSTRUCTIONS

- ❑ **WARNING! Before use, ensure that there is nothing attached to the front forks or fairing of the motorcycle that will foul on the chock.**
- ✓ Maintain the chock in good condition (use an authorised service agent).
- ✓ Replace or repair damaged parts. *Use genuine parts only. Unauthorised parts may be dangerous and will invalidate the warranty.*
- ✓ Locate the chock in a suitable area. Keep area clean and tidy and free from unrelated materials and ensure that there is adequate lighting. Also ensure that the floor/ground is level and strong enough (preferably concrete) to take the weight of the chock and the bike.
DO NOT mount the stand on tarmac/adam, as the surface may be unstable.
- ✓ Keep the chock clean for best and safest performance.
- ✓ Maintain correct balance and footing whilst positioning the bike in the chock.
- ✓ Ensure that the floor is not slippery and wear non-slip shoes.
- ✓ Ensure that the bike is adequately secured to the chock if used for transportation purposes.
- ✓ Keep children and unauthorised persons away from the work area.
- ✗ **DO NOT** use the chock for a purpose it is not designed to perform.
- ✗ **DO NOT** operate the chock if damaged.
- ✗ **DO NOT** use the chock when you are tired or under the influence of alcohol, drugs or intoxicating medication.
- ✗ **DO NOT** allow untrained persons to operate the chock.
- ✗ **DO NOT** make any modifications to the chock.
- ✓ Before removing a motorcycle from the chock ensure that there are no obstructions or persons in the path of the motorcycle.

2. INTRODUCTION & SPECIFICATION

- 2.1 Introduction:**
 Features adjustable pivoting wheel guide, which secures front wheel within chock. Three adjustable heights depending on diameter of wheel. Suitable for wheels with tyre widths 90-130mm and diameters 430-535mm. Frame bolts to the floor (fixings not included) stabilising motorcycles without the need for side or centre stands. Base features lashing strap gap for securing the bike in transport.
- 2.2 Specification:**
Model No:**FPS6**
 Minimum/Maximum tyre width 90-130mm
 Minimum/Maximum tyre diameter 430-535mm

fig.1

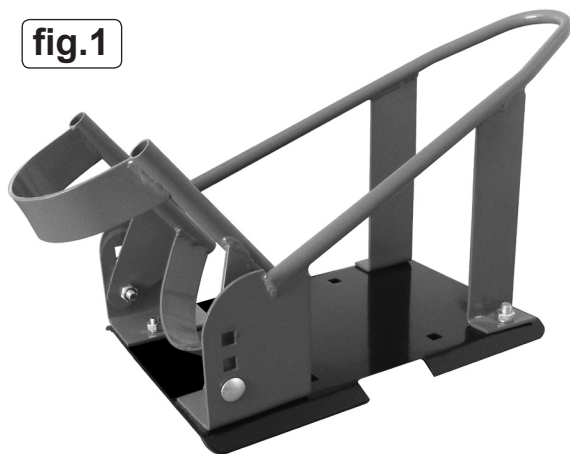


fig.2

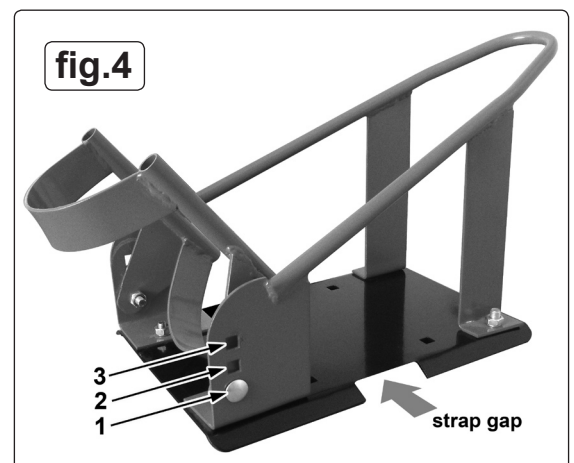
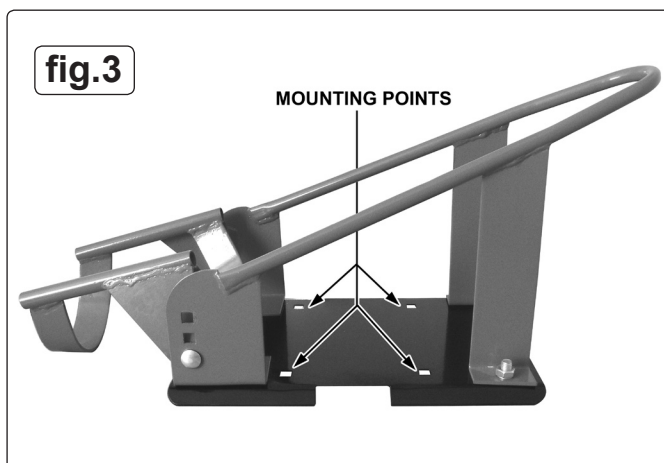


3. INSTALLATION

- 3.1 Identify the chock mounting points as shown in fig.3. The mounting holes are square to enable the use of 'coach' type bolts, having a short square shank behind the head which prevents the bolt from rotating whilst the fixings are tightened.
- 3.2 **Permanent Indoor/Outdoor Installation.** Choose the installation sight carefully so that there is good access to both insert the motorcycle and remove it from the chock. When mounting indoors, ensure that the motorcycle and chock do not become a hazard to people or indoor vehicles such as fork lift trucks. Use anchor bolt fixings to secure the chock to a solid concrete surface.
- 3.3 **Installation for transportation.** When used for the transport of motorcycles the chock must be firmly bolted to the floor of a trailer or van. If mounting in a trailer or other vehicle ensure that the floor is strong enough to take the weight of the motorcycle/s plus chock/s. When using the chock for transportation purposes, the front wheel of the motorcycle must be securely strapped to the chock utilising the strap gap indicated in fig.4. For additional security, consideration should also be given to securing the rear wheel as well.

4. OPERATING INSTRUCTIONS

- 4.1 **Set hinged cradle to correct height.** Ascertain the size of the motorcycle's front wheel in order to set the hinged cradle part of the chock at the correct height. See fig.4. Position (1) is for larger wheels up to 535mm in diameter. Position (2) is for smaller wheels down to 430mm. Position (3) is for sizes in between the stated limits.
- 4.2 Using a 17mm spanner, remove the nuts from the hinge bolts and remove the bolts. Position the cradle at the required height and re-insert the bolts. Screw the nuts back onto the bolts and tighten them to the point where the nuts just start to grip. Now back off the nuts slightly so that the cradle can pivot freely.
- 4.3 **Insert front wheel of bike into cradle.** With the cradle in the open position as shown in fig.3, line the motorcycle up with the chock.
- 4.4 Push the motorcycle firmly into the chock so that the tyre is held by the tapered part of the chock loop.
- 4.5 As the weight of the wheel passes over the inner loop of the cradle, it will cause the cradle to flip up and support the rear of the tyre as shown in fig.1.
- 4.6 Check that the bike is stable within the chock before leaving it. If the wheel is loose in the chock, move the cradle up to the next position. If the wheel is riding too high, move the cradle down so that the bottom of the tyre is in contact with the baseplate.
- 4.7 **Removing bike from cradle.** More effort will be required to remove the bike from the cradle. Ensure that the space into which the bike will move is free from obstructions and people.



4. MAINTENANCE

- 4.1 When the chock is not in use, leave it in the open position.
- 4.2 Keep the chock clean and wipe off any oil or grease.
- 4.3 Before each use check all parts. If any part of the chock is damaged or defective, remove the chock from service and take the necessary action to remedy the problem.

Parts support is available for this product. To obtain a parts listing and/or diagram, please log on to www.sealey.co.uk, email sales@sealey.co.uk or phone 01284 757500.

NOTE: It is our policy to continually improve products and as such we reserve the right to alter data, specifications and component parts without prior notice.

IMPORTANT: No liability is accepted for incorrect use of this product.

WARRANTY: Guarantee is 12 months from purchase date, proof of which will be required for any claim.

INFORMATION: For a copy of our latest catalogue and promotions call us on 01284 757525 and leave your full name and address, including postcode.



Sole UK Distributor, Sealey Group,
Kempson Way, Suffolk Business Park,
Bury St. Edmunds, Suffolk,
IP32 7AR

01284 757500
01284 703534

www.sealey.co.uk
sales@sealey.co.uk