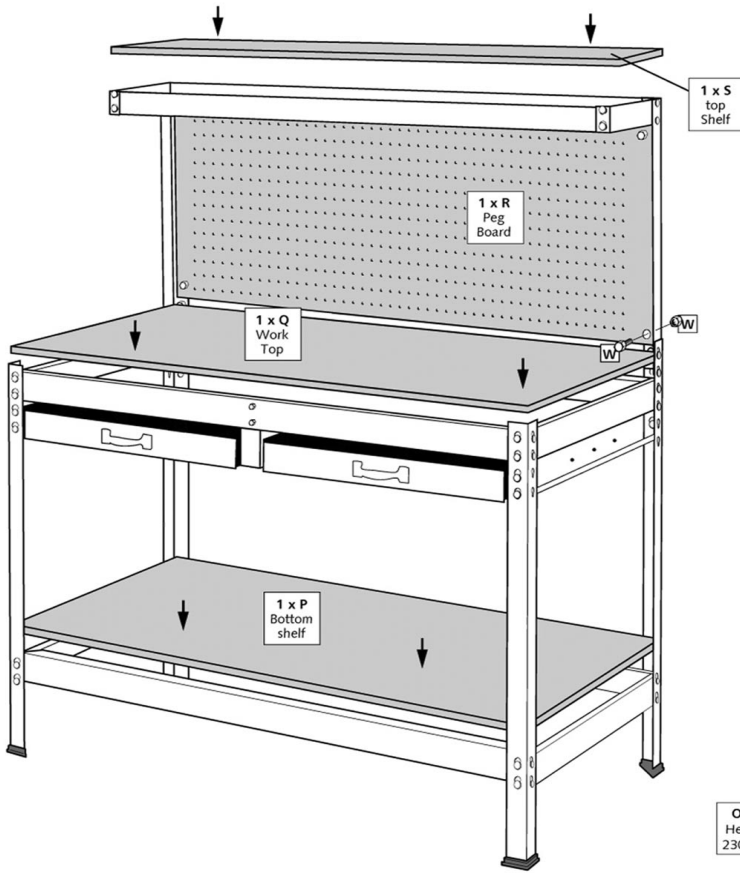
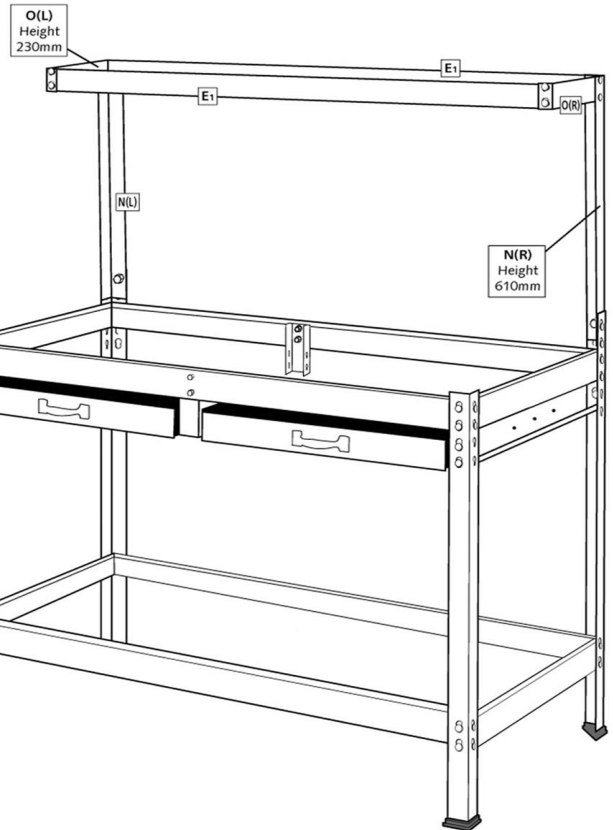


NOTE: It is our policy to continually improve products and as such we reserve the right to alter data, specifications and component parts without prior notice.
IMPORTANT: No liability is accepted for incorrect use of product.
WARRANTY: Guarantee is 12 months from purchase date, proof of which will be required for any claim.
INFORMATION: For a copy of our latest catalogue and promotions call us on 01284 757525 and leave your full name and address, including postcode.



Issue: 1
 Issue Date: 041110



ITEM	PART NO	DESCRIPTION
A	AP12600.V3-A	LEFT (RIGHT) FRONT POST (900mm)
B(L)	AP12600.V3-BL	LEFT REAR POST (966mm)
B(R)	AP12600.V3-BR	RIGHT REAR POST (966mm)
C	AP12600.V3-C	FEET
D	AP12600.V3-D	SIDE BEAMS (592mm)
E	AP12600.V3-E	BOTTOM BEAMS (1200mm)
E1	AP12600.V3-E1	BOTTOM TOP (1197mm)
F	AP12600.V3-F	FRONT (REAR) SHELF BEAM (1200mm)
G	AP12600.V3-G	DRAWER MOUNTS, FRONT/REAR (135mm)
H(L)	AP12600.V3-HL	DRAWER MOUNTS, LEFT (605mm)
H(R)	AP12600.V3-HR	DRAWER MOUNTS, RIGHT (605mm)
I(L)	AP12600.V3-IL	DRAWER MOUNTS, CENTRE LEFT (605mm)
I(R)	AP12600.V3-IR	DRAWER MOUNTS, CENTRE RIGHT (605mm)
J	AP12600.V3-J	FRONT PANEL FOR DRAWER (530mm)
K	AP12600.V3-K	REAR PANEL FOR DRAWER (510mm)
L(L)	AP12600.V3-LL	LEFT SIDE PANEL FOR DRAWER (455mm)
L(R)	AP12600.V3-LR	RIGHT SIDE PANEL FOR DRAWER (455mm)
N(L)	AP12600.V3-NL	LEFT EXTENSION POST (610mm)
N(R)	AP12600.V3-NR	RIGHT EXTENSION POST (610mm)
O(L)	AP12600.V3-OL	LEFT TOP SHELF BEAMS (230mm)
O(R)	AP12600.V3-OR	RIGHT TOP SHELF BEAMS (230mm)
P	AP12600.V3-P	BOTTOM SHELF (1210 x 605 x 15mm)
Q	AP12600.V3-Q	WORKTOP (1210 x 603 x 15mm)
R	AP12600.V3-R	PEG BOARD (1210 x 580 x 4.5mm)
S	AP12600.V3-S	TOP SHELF (1205 x 228 x 4.5mm)
T	AP12600.V3-T	DRAWER BOTTOM (512 x 450 x 6mm)
U	AP12600.V3-U	DRAWER HANDLE
V	AP12600.V3-V	DRAWER HANDLE KIT (NUTS/BOLTS - M4x10mm)
W	AP12600.V3-W	FIXING KIT (BOLTS/WASHERS/NUTS - M6x15mm)
Y	AP12600.V4-Y	FIXING KIT (BOLTS/WASHERS/NUTS - M6x10mm)

NOTE: It is our policy to continually improve products and as such we reserve the right to alter data, specifications and component parts without prior notice.

IMPORTANT: No liability is accepted for incorrect use of product.

WARRANTY: Guarantee is 12 months from purchase date, proof of which will be required for any claim.

INFORMATION: For a copy of our latest catalogue and promotions call us on 01284 757525 and leave your full name and address, including postcode.