

Thank you for purchasing a Sealey product. Manufactured to a high standard this product will, if used according to these instructions and properly maintained, give you years of trouble free performance.

⚠ IMPORTANT: PLEASE READ THESE INSTRUCTIONS CAREFULLY. NOTE THE SAFE OPERATIONAL REQUIREMENTS, WARNINGS, AND CAUTIONS. USE THIS PRODUCT CORRECTLY, AND WITH CARE FOR THE PURPOSE FOR WHICH IT IS INTENDED. FAILURE TO DO SO MAY CAUSE DAMAGE AND/OR PERSONAL INJURY AND WILL INVALIDATE THE WARRANTY.

1. SAFETY INSTRUCTIONS

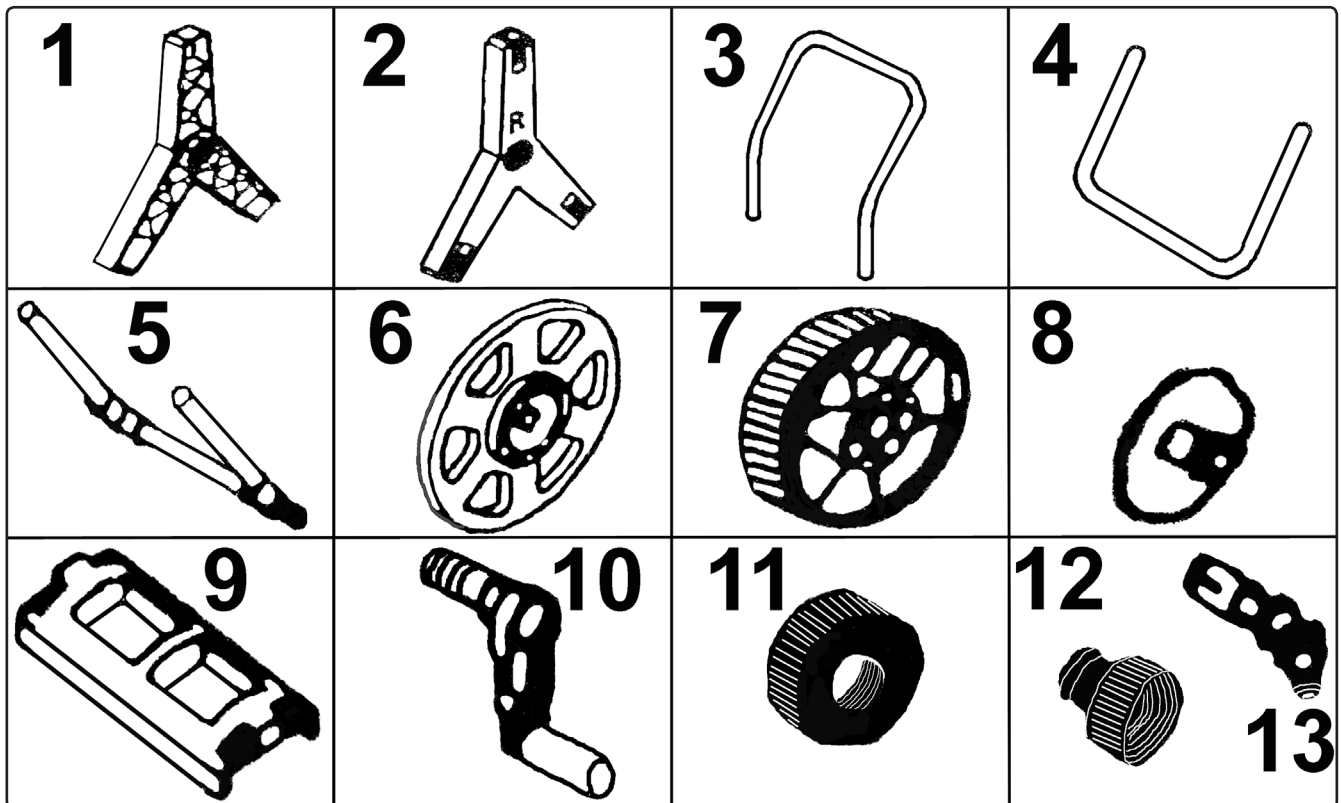
- ✓ Familiarise yourself with the application and limitations of the hose reel, as well as the specific hazards.
- ❑ **WARNING!** Disconnect the hose reel from the water supply before changing accessories, servicing or performing any maintenance.
- ✓ Maintain the hose reel trolley in good condition.
- ✓ Replace or repair damaged parts. *Use recommended parts only. Unauthorised parts may be dangerous and will invalidate the warranty.*
- ✓ Do not position the hose in direct sunlight, or in areas of extreme heat or cold.
- ✓ Keep extended hose away from heat, oil and sharp edges.
- ✓ Ensure all connections are secure before use.
- ✓ Maintain correct balance and footing. Ensure the floor is not slippery and wear non-slip shoes.
- ✓ Keep children and unauthorised persons away from the working area.
- ✗ **DO NOT** operate the hose reel trolley if any parts are damaged or missing as this may cause failure and/or personal injury.
- ✗ **DO NOT** exceed the rated capacity of the hose reel trolley.
- ✗ **DO NOT** use the hose reel trolley for any purpose other than that for which it is designed.
- ✗ **DO NOT** yank the hose from the water supply.
- ✗ **DO NOT** operate the hose reel when you are tired or under the influence of alcohol, drugs or intoxicating medication.
- ✗ **DO NOT** direct water from the water hose at yourself or others.
- ✓ When not in use ensure the water supply is turned off and accessories disconnected. Disconnect from the water supply and retract the hose.
- ✓ Protect the hose and hose trolley from frost.
- ✓ Store in a dry, safe childproof location.

2. INTRODUCTION & SPECIFICATION

Lightweight tubular steel frame with tough plastic snap together parts - no tools required. Fitted with two composite wheels for easy manoeuvrability and two 12mm hose connectors. Reel holds up to 60mtr of Ø12mm hose.

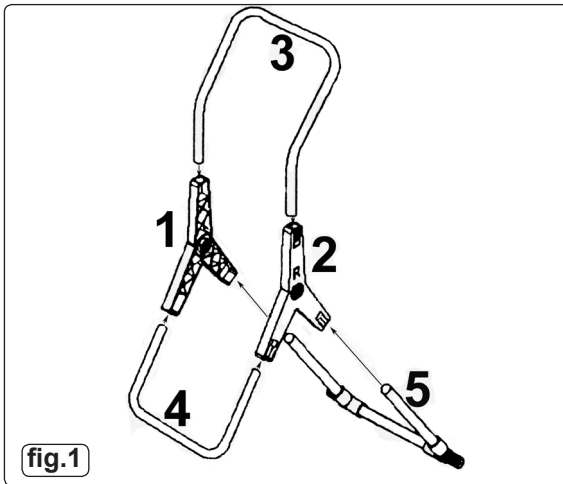
Hose Capacity (not supplied): . 60mtr x Ø12mm
 Inlet/Outlet: 12mm
 Weight (Excluding Hose): 2.04kg

3. CONTENTS



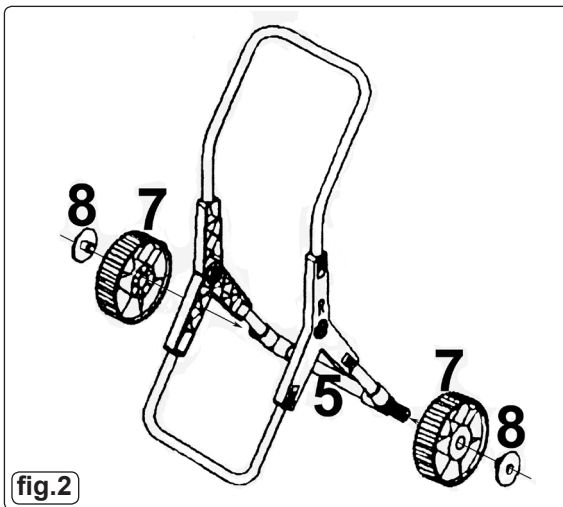
Item No.	Description	Qty.	Item No.	Description	Qty.
1	Left Hand Side Stand Holder	1	8	Wheel Cover	2
2	Right Hand Side Stand Holder	1	9	Reel Cross Piece	2
3	Handle	1	10	Crank Handle	1
4	Stand	1	11	Crank Handle Nut	1
5	Axle	1	12	Fixed Hose Connection	1
6	Reel End	2	13	Angled Hose Connection	1
7	Wheel	2			

4. ASSEMBLY



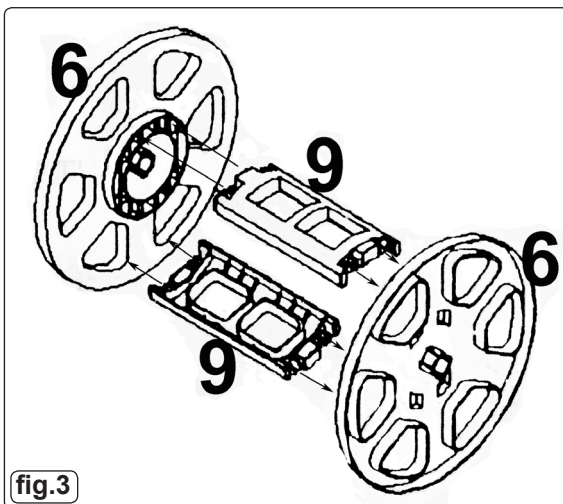
4.1. Assembling the frame. Refer to fig.1

- 4.1.1 Attach the handle (3) to the left hand side stand holder (1) and the right hand side stand holder (2) together at the same time to aid ease of attachment and to avoid damaging the locking clips on the standholders (1&2). Ensure that the embossed letters on each of the stand holders (1&2) are facing outermost and the letters are upright.
- 4.1.2 Attach the axle (5) to the stand holders (1&2).
- 4.1.3 Attach the stand (4) to the stand holders (1&2).



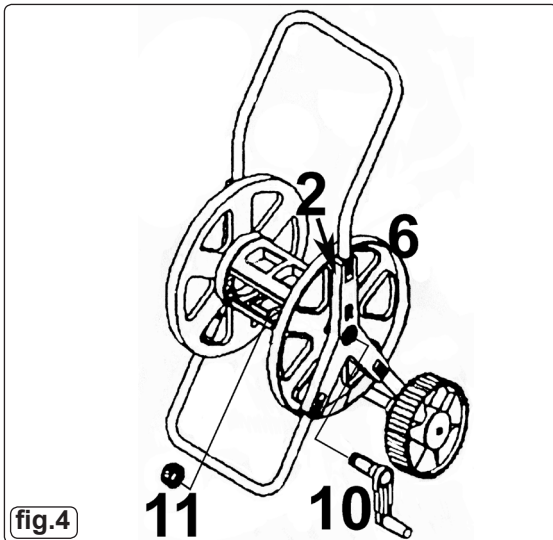
4.2. Attaching the wheels. Refer to fig.2

- 4.2.1 Fit the wheels (7) to the axle (5) and secure by pressing the wheel covers (8) into the axle (5). Care should be taken to ensure that the 4 plastic jaws on the wheel covers (8) locate correctly on the axle (5) to prevent damage to the plastic jaws.



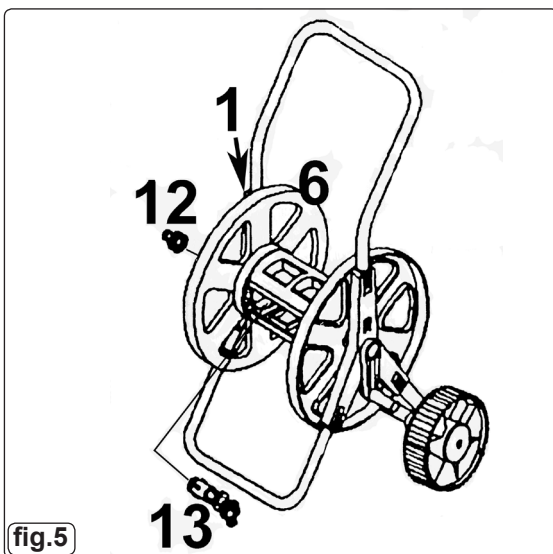
4.3. Assembling the reel. Refer to fig.3

- 4.3.1 Locate the reel cross pieces (9) into the slots in the reel ends (6) and push into place until they lock in position.



4.4. Attaching the crank handle. Refer to fig.4

- 4.4.1 Fit the crank handle (10) through the right hand side stand holder (2) and through the reel end (6) so that the threaded portion protrudes from the reel end (6).
- 4.4.2 Screw the crank handle nut (11) onto the threads of the crank handle (10) and tighten.



4.5. Attaching the hose connections. Refer to fig.5

- 4.5.1 Fit the angled hose connection (13) through the reel end (6) and the left hand side stand holder (1) so that the threaded portion protrudes from the left hand side stand holder (1).
- 4.5.2 Screw the fixed hose connection (12) onto the threads of the angled hose connection (13) and tighten. The hose trolley is now ready for use.

5. OPERATION

5.1. Fitting the hose

- 5.1.1 Attach the hose to the angled hose connection (13) and wind it onto the reel taking care to guide the hose from one side of the reel to the other to prevent bunching of the hose.
- 5.1.2 Attach the supply hose to the fixed hose connection (12).

5.2. Extending the hose.

- 5.2.1 Firmly hold the trolley and pull the hose from the reel. Pulling the hose directly from the reel may cause the hose trolley to tip over.

5.3. Retracting the hose.

- 5.3.1 When retracting the hose, always make sure the water supply is turned off, make sure there is plenty of space to perform the task. Free the hose's path of any obstructions and check for kinks in the hose before reeling in.
- 5.3.2 Rotate the crank handle (10) clockwise whilst firmly holding the trolley taking care to guide the hose from one side of the reel to the other to prevent bunching of the hose.

6. STORAGE

6.1. Storage

Prior to storing the hose and reel, ensure that the water supply is turned off and any accessories are disconnected. Drain as much water from the hose as possible. Place in a dark, safe, dry, childproof location, where the hose will be protected from frost.

Parts support is available for this product. To obtain a parts listing and/or diagram, please log on to www.sealey.co.uk, email sales@sealey.co.uk or phone 01284 757500.

NOTE: It is our policy to continually improve products and as such we reserve the right to alter data, specifications and component parts without prior notice.

IMPORTANT: No liability is accepted for incorrect use of this product.

WARRANTY: Guarantee is 12 months from purchase date, proof of which will be required for any claim.

INFORMATION: For a copy of our latest catalogue and promotions call us on 01284 757525 and leave your full name and address, including postcode.



Sole UK Distributor, Sealey Group,
Kempson Way, Suffolk Business Park,
Bury St. Edmunds, Suffolk,
IP32 7AR

01284 757500

01284 703534



www.sealey.co.uk



sales@sealey.co.uk

Original Language Version

GH60 | Issue: 1 - 21/10/11