

Thank you for purchasing a Sealey product. Manufactured to a high standard this product will, if used according to these instructions and properly maintained, give you years of trouble free performance.

IMPORTANT: PLEASE READ THESE INSTRUCTIONS CAREFULLY. NOTE THE SAFE OPERATIONAL REQUIREMENTS, WARNINGS & CAUTIONS. USE THE PRODUCT CORRECTLY AND WITH CARE FOR THE PURPOSE FOR WHICH IT IS INTENDED. FAILURE TO DO SO MAY CAUSE DAMAGE AND/OR PERSONAL INJURY AND WILL INVALIDATE THE WARRANTY. PLEASE KEEP INSTRUCTIONS SAFE FOR FUTURE USE.

1. SAFETY INSTRUCTIONS

- ✓ Before each use, check that there is no damage to the spreader and that all fixings are tight.
- ✓ Replace or repair damaged parts. *Use only recommended parts. Unauthorised parts may be dangerous and will invalidate the warranty.*
- ✓ Ensure that the operator is fully trained and competent to operate the spreader.
- ✓ Ensure that all chemical safety instructions are adhered to when handling products for use in the spreader. A full range of personal safety equipment is available from your Sealey dealer.
- ✓ Always distribute the load evenly.
- ✓ Ensure all non essential personnel keep a safe distance when the spreader is in use.
- ✓ Keep hands and feet away from moving parts.
- ✗ **DO NOT** overload the spreader - see Specification.
- ✗ **DO NOT** leave unattended, especially when loaded.
- ✗ **DO NOT** allow anybody to sit, stand, or ride on the spreader.
- ✗ **DO NOT** allow untrained personnel to use the spreader.
- ✗ **DO NOT** allow children to play in or climb onto the spreader.
- ✗ **DO NOT** use on windy days when spreading seeds or herbicides.
- ✗ **DO NOT** tow this spreader with a motorized vehicle of any sort.
- ✗ **DO NOT** use the spreader for purposes other than for which it is designed.
- ✗ **DO NOT** operate the spreader when you are tired or under the influence of alcohol, drugs or intoxicating medicines.
- ✗ When loaded, **DO NOT** operate the spreader over edges, rough surfaces etc. where the spreader is at risk of overturning.
- ☐ **WARNING!** Failure to comply with these instructions may result in damage to spreader or other property and/or personal injury.


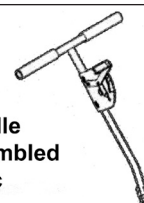


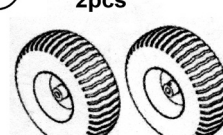

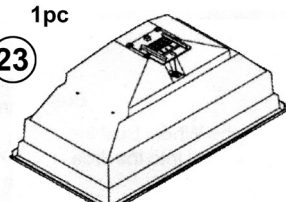
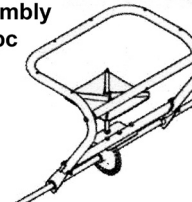
2. SPECIFICATION

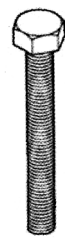



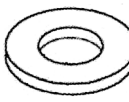





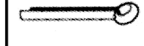

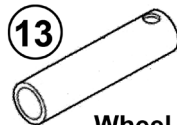



Model No.	SPB57W
Capacity (Weight)	57kg
Capacity (Volume)	60ltr
Spread	3 - 3.6mtr
Weight	17.6kg
Dimensions (W x D x H)	790 x 1060 x 890mm

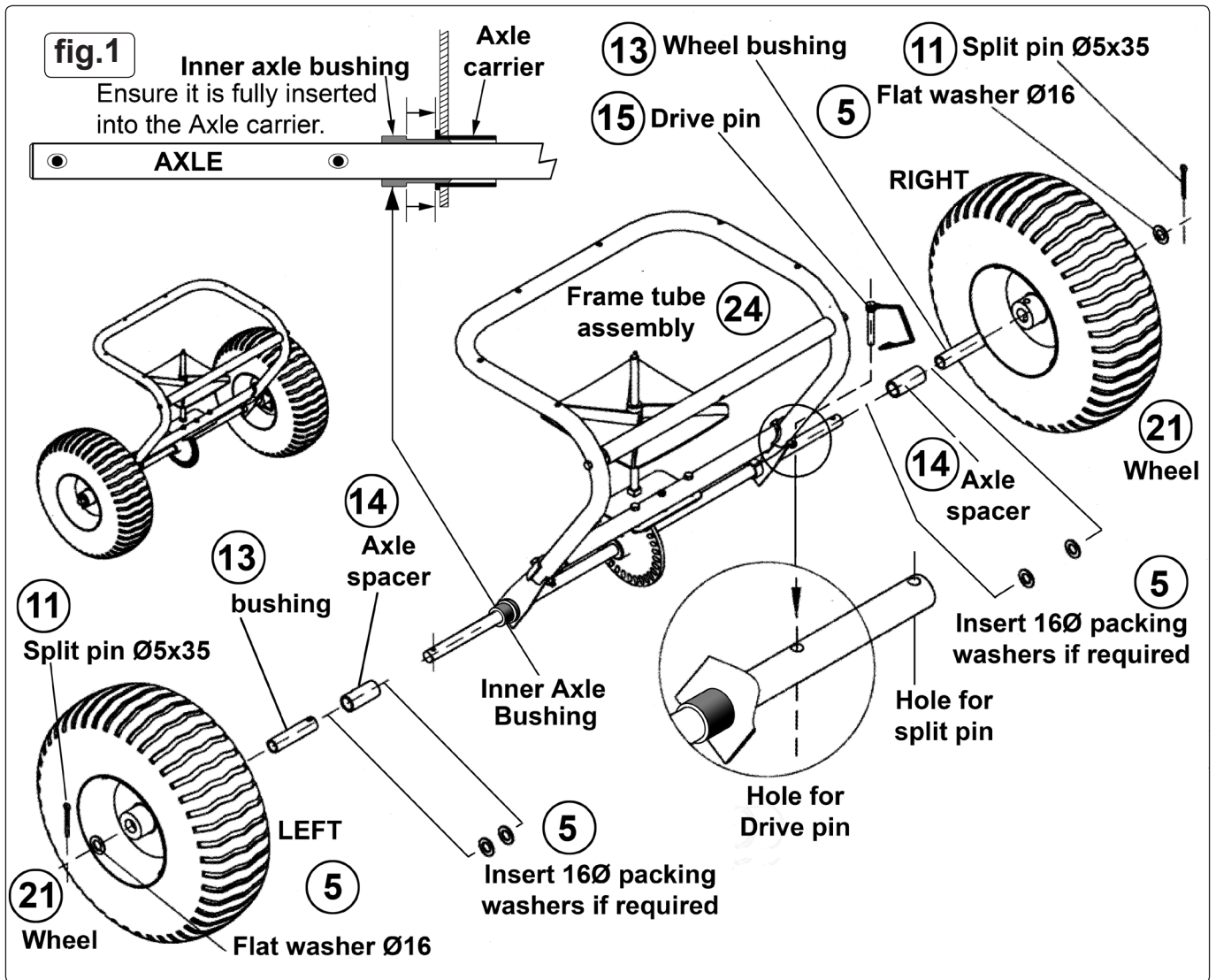
3. INTRODUCTION

Manufactured with a strong tubular steel frame and polypropylene dispensing hopper. Fitted with aluminium gear, rain cover, pneumatic tyres and adjustable feed system. Includes hopper screen to ease spreader flow and filter out unwanted contaminants. Sprays in 360° motion to cover a large area. Suitable for a variety of horticultural agents including grit, seed, salt, fertiliser and weed killer.

4. ASSEMBLY

17 Support Leg 1pc 	18 Handle Preassembled 1pc 
19 Solid Linkage 1pc 	20 Hopper Screen 1pc 
21 Wheels 2pcs 	22 Rain cover 1pc 
23 Hopper 1pc 	24 Frame Tube Assembly 1pc 

1  Hex Bolt M8x75 1pc	2  Hex Bolt M6x40 6pc	3  Hex Bolt M6x35 2pc
4  Hex Bolt M6x20 4pc	5  Flat Washer int.Ø16mm 6pcs	6  Flat Washer int.Ø8mm 2pcs
7  Flat Washer int.Ø6mm 6pcs	8  Spring Washer int.Ø6mm 6pcs	9  Lock Nut M8 - 3pc
10  Lock Nut M6 - 12pcs	11  Split Pin Ø5x35mm 2pcs	12  Spacer 1pc
13  Wheel bushing 2pcs	14  Axle spacer 2pcs	15  Drive Pin 1pc
16  'R' Pin Ø 1pc		



4. ASSEMBLY

- 4.1 ASSEMBLING THE WHEELS. (refer to fig.1)**
 Please note that the left hand wheel turns freely on the axle whilst the right hand wheel is pinned to the axle and thus drives the central gearwheel.
- 4.1.1 Before commencing assembly, ensure that the black plastic inner axle bushing is fully inserted into the black plastic axle carrier on both sides of the axle. See fig.1.
- 4.1.2 Slide an axle spacer (14), followed by a wheel bushing (13) onto the left hand side of the axle.
- 4.1.3 Slide a wheel (21) onto the wheel bushing (13).
- 4.1.4 Place a flat washer Ø16mm (5) over the end of the axle and insert a split pin Ø5x35mm (11) through the hole in the end of the axle. If there is excessive play between the components there are two extra washers (5) available to pack out the assembly if required. See fig.1. When the wheel runs easily without excessive play, bend over the ends of the split pin (11) to retain the assembly.
- 4.1.5 Slide an axle spacer (14) onto the right hand end of the axle followed by a wheel bushing (13). Ensure that the holes in the end of the wheel bushing are nearest to the spacer and align with the hole in the axle.
- 4.1.6 Slide a wheel (21) onto the wheel bushing (13) and align the holes in the inner wheel hub with the holes in the wheel bushing and the axle.
- 4.1.7 Undo the clip on the drive pin (15) and insert it through all three components. Close the clip on the drive pin.
- 4.1.8 Place a flat washer Ø16mm (5) over the end of the axle and insert a split pin Ø5x35mm (11) through the hole in the end of the axle. Bend over the ends of the split pin (11) to retain the assembly.
- 4.2 ASSEMBLING THE SUPPORT LEG. (refer to fig.2)**
- 4.2.1 Position the support leg (17) so that the leg extension is pointing away from the wheel assembly.
- 4.2.2 The support leg mounting plate and the gear shaft mounting

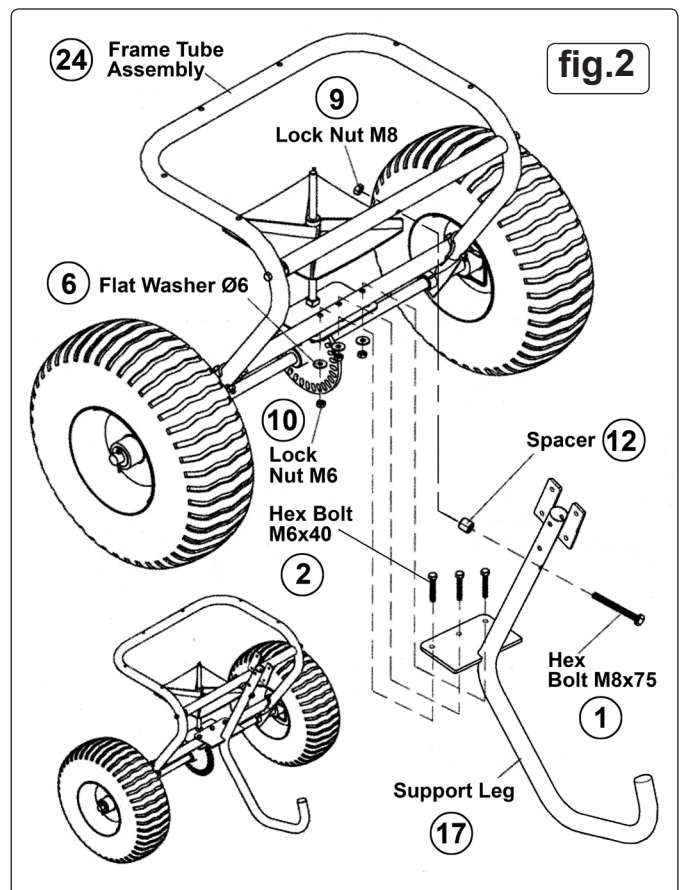


plate rest on either side of the same cross brace nearest to the axle and are fixed in place with three M6 x 40mm Hex bolts (2) together with three M6 lock nuts (10) and three flat washers Ø6mm (6). Remove any bolts that may be retaining the gear shaft mounting plate and align the holes in the support leg mounting plate with the three holes in the cross brace. Insert the three retaining bolts through the cross brace and both plates and retain with the lock nuts and washers.

4.2.3 Position the metal spacer (12) between the support leg (17) and the other cross brace and insert the M8x75mm Hex bolt (1) through all three components. Retain the assembly with an M8 lock nut (9).

4.2.4 **Do not fully tighten the fixings at this stage.**

4.3 INSTALLING THE HOPPER. (refer to fig.3)

4.3.1 Align the gear shaft with the hole in the black plastic moulding on the underside of the hopper and lower the hopper onto the shaft and onto the support frame.

4.3.2 Insert six M6x40mm hex bolts (2) together with six M6Ø washers (7) through the hopper and support frame and secure with six ØM6 lock nuts (10). **Do not fully tighten the fixings at this stage.**

4.3.3 Insert the 'R' pin (16) through the hole in the top of the gear shaft.

4.4 FIXING THE HANDLE TO THE SUPPORT LEG. (refer to fig.4)

4.4.1 Insert the bottom of the handle tube (18) into the top of the support leg (17) and align the two holes.

4.4.2 Insert two M6x35mm hex bolts (3) through both components and retain with two Ø6mm spring washers (8) and two M6 Lock nuts (10).

4.4.3 Adjust the position of the gear shaft mounting plate so that the gear and pinion work smoothly together, then tighten the three plate fixings and recheck the gear operation. **When the gears operate smoothly tighten all other fixings.**

4.5 CONNECTING THE FLOW CONTROL LINKAGE. (refer to fig.5)

4.5.1 Connect the flow control linkage rod between the swivel plate on the underside of the hopper and the control lever. When holding the handle, the linkage should be on the right hand side in order for the hopper shutter to open and close correctly. Slide a Ø8mm flat washer (6) over the end of the rod with the more pronounced bend and insert the threaded end into the swivel plate. Place a washer (6) over the other end and insert it through the link on the control lever and into the small slot on the control lever plate. Check that the control lever correctly opens and closes the hopper shutter, then retain the linkage with an Ø8mm lock nut (9) on either end.

4.5.2 If shutter still does not fully close, loosen the two nuts that attach the flow lever bracket to the handle and move the whole bracket back and forth. When handle is at '0' the shutter must be fully closed. When the handle is at '30' the shutter should be open. Tighten bracket nuts when adjustment is complete.

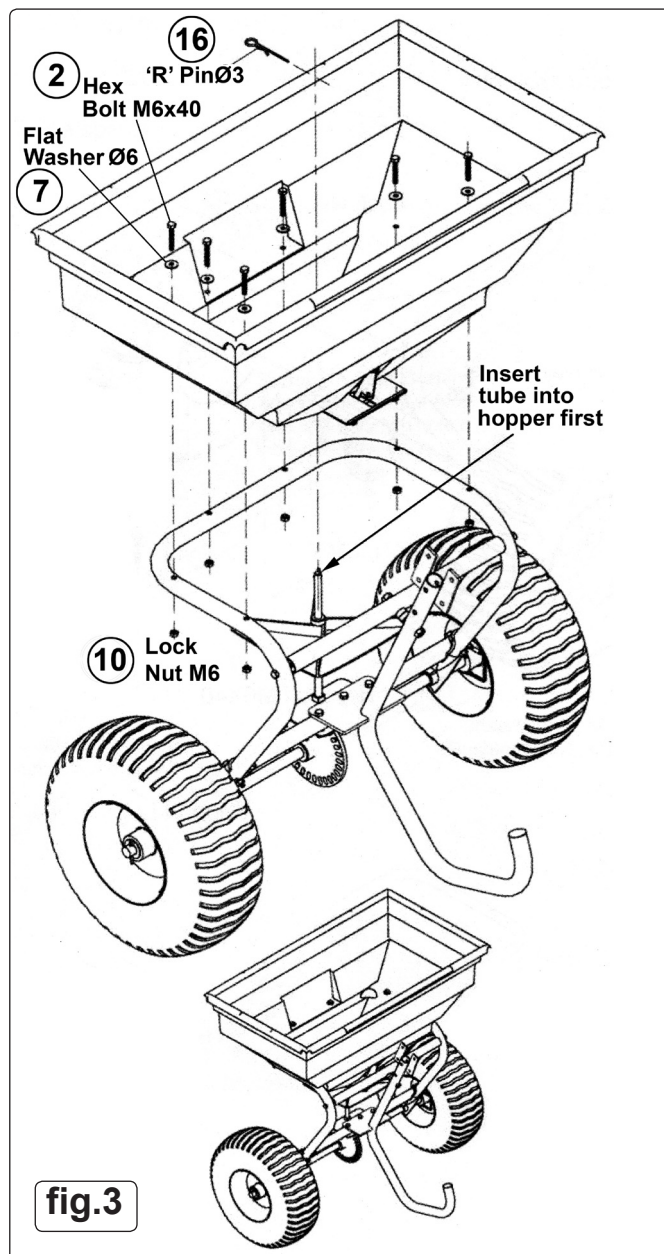


fig.3

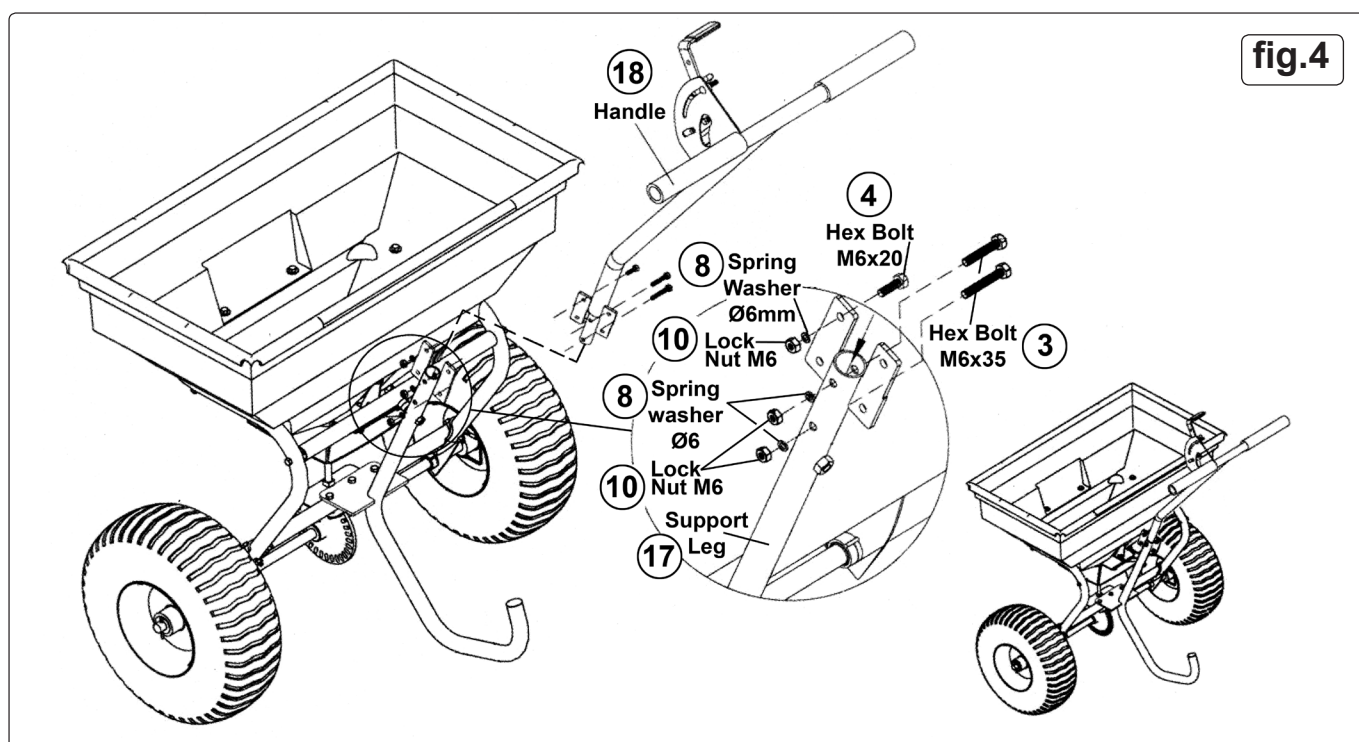


fig.4

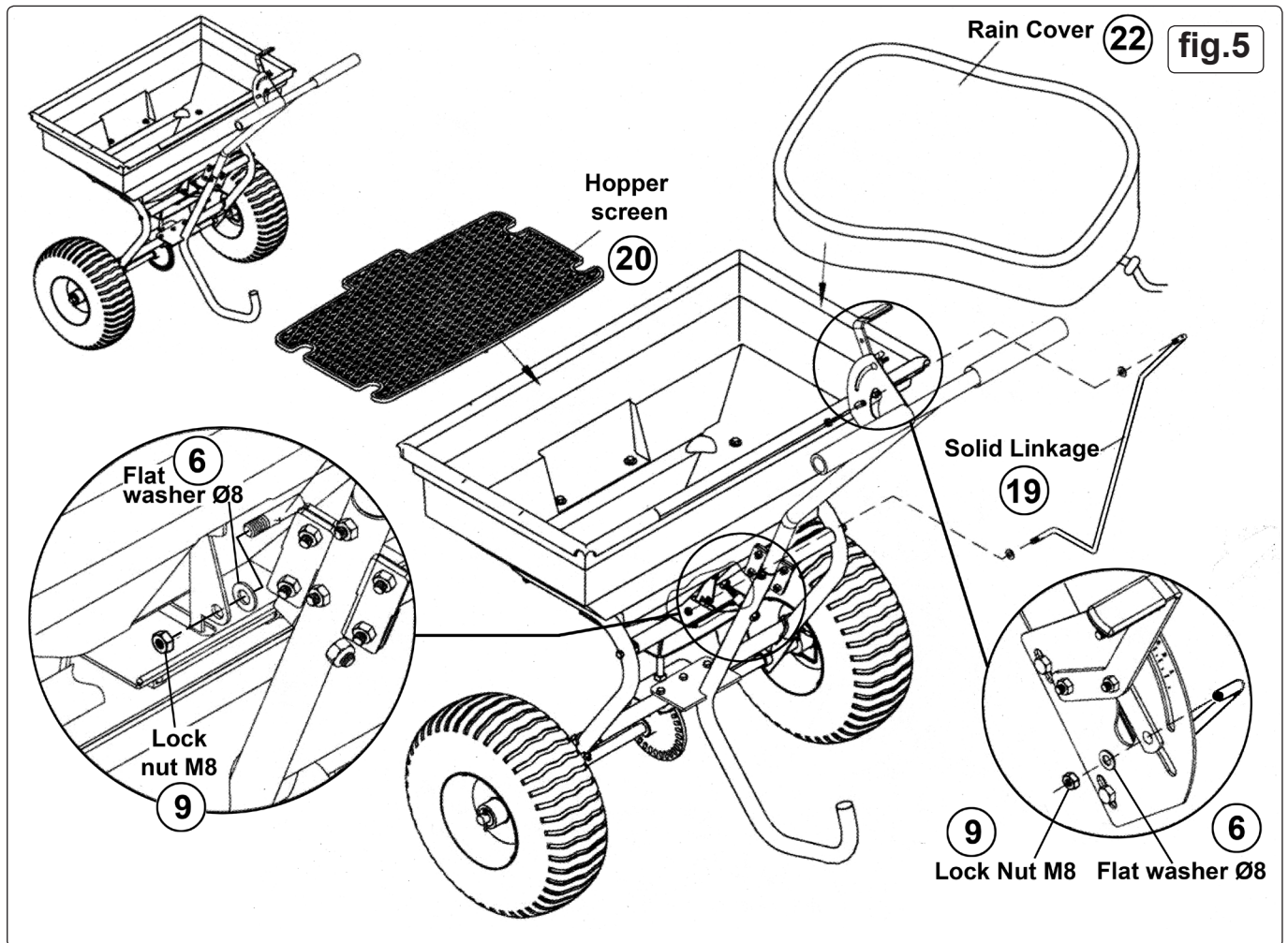


fig.5

5. OPERATION

- 5.1 USING THE SPREADER. (refer to fig.6)**
- ❑ **WARNING!** Do not use the spreader on windy days when spreading grass seed or herbicides.
 - ❑ **WARNING!** Follow the fertiliser/material manufacturers recommended coverage for each product. **Over coverage could result in damage to lawns etc. and contamination of the area.**
- 5.2** The spreader is designed for a variety of horticultural agents including grit, seed, salt, and weed killer. Materials such as powder, manure, top soil, gravel and mulch have the wrong physical characteristics and should not be used with the spreader.
- 5.3** Inspect the spreader before each use. Repair or replace any damaged parts and check that the spreader is functioning correctly.
- 5.4** Make sure the 'R' pin (16) is installed at the top of the gear shaft within the hopper before using the spreader.
- 5.5** Before filling the hopper ensure that the flow control lever is in the '0' position, i.e. the flow control plate must be closed.
- 5.6** Determine the approximate square footage of the area to be covered and estimate the amount of material required by referring to the manufacturers instructions. Break up any lumpy fertiliser as you fill the hopper.
- 5.7** Always start walking prior to opening the flow control plate.
- 5.8** Every time you are ready to stop, or turn to make a new pass, close the flow control plate to stop dispensing the material and continue one more stride. This reduces waste and avoids damaging a lawn with over saturated product coverage.
- 5.9** If spreading material is accidentally deposited too heavily in a small area, soak the area with a garden hose or sprinkler to prevent burning of the lawn.
- 5.10** To maintain the same coverage when walking at a different speed, adjust the flow rate. Reduce the flow setting for slower speeds and increase the flow setting for higher speeds.
- 5.11** Keep the impeller plate horizontal when operating the spreader. Tilting the spreader will result in uneven coverage.

- 5.12** To ensure consistent coverage, make sure each broadcast pattern slightly overlaps the previous one.
- 5.13** Make sure that any broadcast material does not come into contact with trees, shrubs and flowers that could be harmed by the material.
- 5.14 CALCULATING THE AMOUNT OF MATERIAL NEEDED. (refer to Charts 'A' & 'B')**
To calculate the amount of material needed e.g lawn fertiliser, divide the coverage stated on the packaging by the weight of the fertiliser bag. For example, a 10lb bag of fertiliser with a coverage of 10,000 sq. ft. will distribute 1lb of fertiliser every 1,000 sq.ft. at full rate or 1/2lb. of fertiliser every 1,000 sq. ft. at half rate.
- 5.15** For pre-calculated rates see **Chart 'A'** (Example: A 25lb bag with a 15,000 sq. ft. coverage requires 1.7lb of fertiliser per 1,000 sq.ft.)
- 5.16** Use **Chart 'B'** to find the closest spreader setting. For example, 1.7lb per 1000 sq.ft. = spreader setting 8)

6. MAINTENANCE

- 6.1** After each use clean material out of hopper.
- 6.1.1 Rinse/dry inside and outside of spreader after each use.
 - 6.1.2 Before operating make sure that the tyres are inflated to the correct pressure i.e. 30psi.
 - 6.1.3 Periodically check all fastenings are tight.
 - 6.1.4 Annually clean and lightly lubricate parts.
 - 6.1.5 Touch up all scratched or worn painted metal surfaces.
 - 6.1.6 To avoid damaging the spreader never exceed the rated load capacity of 57kg.
- 6.2 STORAGE.**
- 6.2.1 Before storing ensure that the spreader is clean and dry.
 - 6.2.2 Store indoors or in a protected area during severe weather and in the winter months.
 - 6.2.3 Never allow material to stay in the hopper for extended periods of time.

(CHART 'A') SQUARE FOOT COVERAGE PER BAG (LBS/1000SQ.FT)

WEIGHT OF BAG (LBS)	5000 SQ.FT COVERAGE	10000 SQ.FT COVERAGE	15000 SQ.FT COVERAGE
5	1.0lb	0.5lb	0.3lb
10	2.0lb	1.0lb	0.7lb
15	3.0lb	1.5lb	1.0lb
20	4.0lb	2.0lb	1.3lb
25	5.0lb	2.5lb	1.7lb
30	6.0lb	3.0lb	2.0lb
35	7.0lb	3.5lb	2.3lb
40	8.0lb	4.0lb	2.3lb
45	9.0lb	4.5lb	3.0lb
50	10.0lb	5.0lb	3.3lb
55	11.0lb	5.5lb	3.7lb

(CHART 'B') SPREADER SETTINGS/SPREADER WIDTHS

MATERIALS TO BE USED	LBS/1000 SQ.FT	SPREADER SETTING	SMALL PARTICLE SPREAD	MEDIUM PARTICLE SPREAD	LARGE PARTICLE SPREAD
GRIT SEED FERTILISER WEED KILLER E.T.C.	1	5	5-6 ft	6-9 ft	9-12 ft
	2	8	5-6 ft	6-9 ft	9-12 ft
	3	10	5-6 ft	6-9 ft	9-12 ft
	4	13	5-6 ft	6-9 ft	9-12 ft
	5	15	5-6 ft	6-9 ft	9-12 ft
	6	18	5-6 ft	6-9 ft	9-12 ft
	7	20	5-6 ft	6-9 ft	9-12 ft
	8	23	5-6 ft	6-9 ft	9-12 ft
	9	25	5-6 ft	6-9 ft	9-12 ft
	10	28	5-6 ft	6-9 ft	9-12 ft
	11	30	5-6 ft	6-9 ft	9-12 ft

NOTE: It is our policy to continually improve products and as such we reserve the right to alter data, specifications and component parts without prior notice.

IMPORTANT: No liability is accepted for incorrect use of this product.

WARRANTY: Guarantee is 12 months from purchase date, proof of which will be required for any claim.

INFORMATION: For a copy of our latest catalogue and promotions call us on 01284 757525 and leave your full name and address, including postcode.



Sole UK Distributor, Sealey Group,
Kempson Way, Suffolk Business Park,
Bury St. Edmunds, Suffolk,
IP32 7AR



01284 757500



www.sealey.co.uk



01284 703534



sales@sealey.co.uk