

Thank you for purchasing a Sealey Product. Manufactured to a high standard this product will, if used according to these instructions and properly maintained, give you years of trouble-free performance.



IMPORTANT: PLEASE READ THESE INSTRUCTIONS CAREFULLY. NOTE THE SAFE OPERATIONAL REQUIREMENTS, WARNINGS AND CAUTIONS. USE THIS PRODUCT CORRECTLY AND WITH CARE FOR THE PURPOSE FOR WHICH IT IS INTENDED. FAILURE TO DO SO MAY CAUSE DAMAGE AND/OR PERSONAL INJURY AND WILL INVALIDATE THE WARRANTY. PLEASE KEEP INSTRUCTIONS SAFE FOR FUTURE USE.

1. SAFETY INSTRUCTIONS

1.1 GENERAL SAFETY

- WARNING!** Ensure Health & Safety, local authority, and general workshop practice regulations are adhered to when using this stool.
- ✓ Locate stool in a suitable working area.
- WARNING!** Use stool on level and solid ground, preferably concrete.
- ✓ Keep the stool clean and tidy in accordance with good workshop practice.
- ✗ **DO NOT** use the stool for any purpose other than that for which it is designed.
- ✗ **DO NOT** stand on the stool.
- ✗ **DO NOT** use the stool outdoors.
- ✗ **DO NOT** get the stool wet or use in damp or wet locations or areas where there is condensation.
- ✗ **DO NOT** clean the stool with any solvents which may damage the plated surface or the protective coating on the padded seat.

2. INTRODUCTION & SPECIFICATION

Four legged heavy-duty steel construction with a polished Chrome plate finish for anti-corrosion resistance. Two strengthening rings for stability, lower one also acts as a foot rest. Ø350mm Padded swivel seat for comfort and ease when turning to and from point of work.

Specifications: Height:750mm
 Capacity:.....136kg
 Weight:6kg

3. ASSEMBLY

3.1. Frame

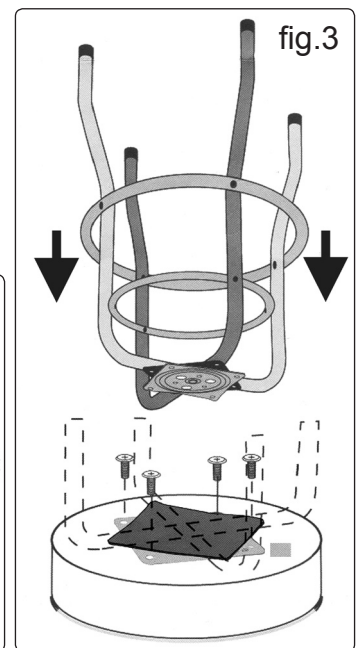
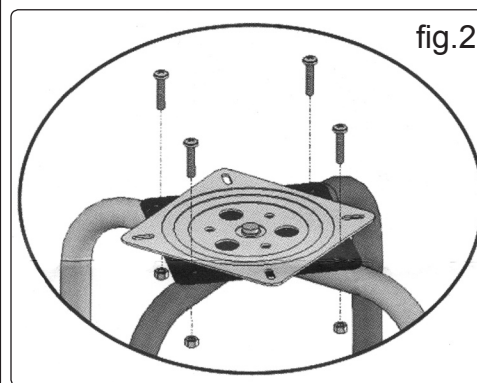
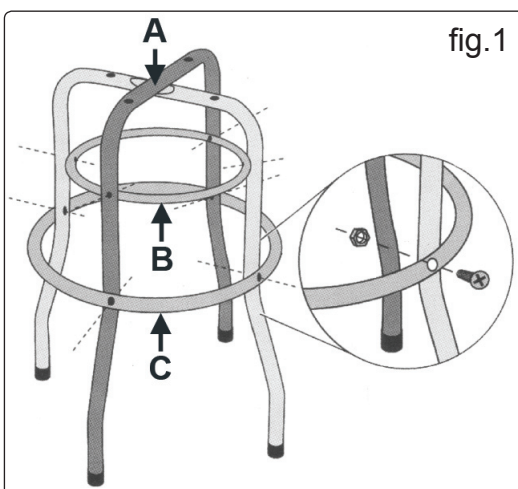
- 3.1.1. Take the two leg frames and cross them over with the flattened sections together. See fig.1A.
- 3.1.2. Fix together with the small internal ring (fig.1B). Secure with nut and bolt through each hole.
- 3.1.3. For added support attach the outer ring (fig.1C) and secure with nuts and bolts.

3.2 Swivel plate

- 3.2.1 Place the swivel plate on top of the frame as in fig.2. Secure with 4 nuts and bolts
- 3.2.2 Ensure the swivel plate rotates freely.

3.3 Seat

- 3.3.1 Turn the seat over and turn the frame upside down. Lower the frame to the seat and line up the holes in the swivel plate with the holes on the back of the seat. Secure with 4 bolts (fig.3).
- 3.3.2 Ensure all fixings are tight, turn the stool over.



NOTE: It is our policy to continually improve products and as such we reserve the right to alter data, specifications and component parts without prior notice.

IMPORTANT: No liability is accepted for incorrect use of this product.

WARRANTY: Guarantee is 12 months from purchase date, proof of which will be required for any claim.

INFORMATION: For a copy of our latest catalogue and promotions call us on 01284 757525 and leave your full name and address, including postcode.