

Thank you for purchasing a Sealey product. Manufactured to a high standard this product will give you years of trouble free performance if these instructions are carefully followed and the product is correctly maintained.



IMPORTANT: PLEASE READ THESE INSTRUCTIONS CAREFULLY. NOTE THE SAFE OPERATIONAL REQUIREMENTS, WARNINGS AND CAUTIONS. USE THIS PRODUCT CORRECTLY AND WITH CARE FOR THE PURPOSE FOR WHICH IT IS INTENDED. FAILURE TO DO SO MAY CAUSE DAMAGE OR PERSONAL INJURY AND WILL INVALIDATE THE WARRANTY. PLEASE RETAIN THESE INSTRUCTIONS FOR FUTURE USE.

1. SAFETY INSTRUCTIONS

- p **WARNING!** Ensure health & safety, local authority, and general workshop practice regulations are strictly adhered to when using this equipment.
- 3 Familiarise yourself with product application and limitations, as well as the specific potential hazards peculiar to this product.
- 3 Maintain the pump in good condition (use an authorised service agent).
- 3 Replace or repair damaged parts. Use genuine parts only. Non authorised parts will invalidate the warranty.
- 3 Use only to pump oils up to SAE 40 viscosity.
- 3 Ensure safety eye protection and protective clothing are worn when using this product.
- 3 Keep the work area clean, uncluttered and ensure there is adequate lighting.
- 3 Maintain correct balance and footing. Ensure the floor is not slippery and wear non slip shoes.
- 3 Keep children and unauthorised persons away from the working area.
- 3 Dispose of waste liquids in accordance with local authority regulations.
- 7 **DO NOT** use to extract corrosive fluids.
- 7 **DO NOT** dismantle, tamper with or adapt the pump for any purpose other than for which it is designed.
- 7 **DO NOT** use the unit if it has been dropped or mishandled, check the unit to ensure there is no damage.
- 3 Keep the pump clean and store in a safe, dry, childproof location.
- p **WARNING! DO NOT** allow uncontrolled discharge of fluids thus polluting the environment.

2. APPLICATION

Steel construction self-priming lever pump. Features heavy-duty wheels and gripped handle for ease of manoeuvrability. Supplied with a 20ltr reservoir, 1.9mtr delivery hose and flow control tap with angled spout. Spout storage within bucket cover for tidy storage when not in use. Suitable for gear oil and fluids with similar viscosity.

3. ASSEMBLY

3.1 Assembling the container frame.

Referring to fig.1 take the container frame and attach the wheels to it as follows.

- 3.1.1 Pass an M12 x 62mm bolt (5) through each wheel and screw them into the threaded bushes on either side of the frame. Back off each bolt slightly to allow the wheels to rotate freely. Lock each bolt by threading an M12 nut (6) onto each protruding bolt and tighten.
- 3.1.2 Take the lower support tube and fix it to the frame as follows. There is an M10 bolt welded at the base of the tube, see (3) in fig.1. Place the tube into the indent in the container frame with the bolt protruding through the hole in the frame. Pass a washer over the bolt followed by an M10 nut. See (4) in fig.1. Tighten the nut.
- 3.1.3 Insert the upper handle tube into the lower support tube and align the holes in the two components. Pass an M6 x 30mm bolt through each hole (1) and screw an M6 nut (2) onto each protruding bolt and tighten.

3.2 Assembling the container to the frame.

- 3.2.1 Stand the container onto the container stand so that the upper handle tube rests into the bracket on the container. Pass an M8 x 44mm bolt (7) through the tube and bracket and secure it with a flat washer, split washer and M8 nut.

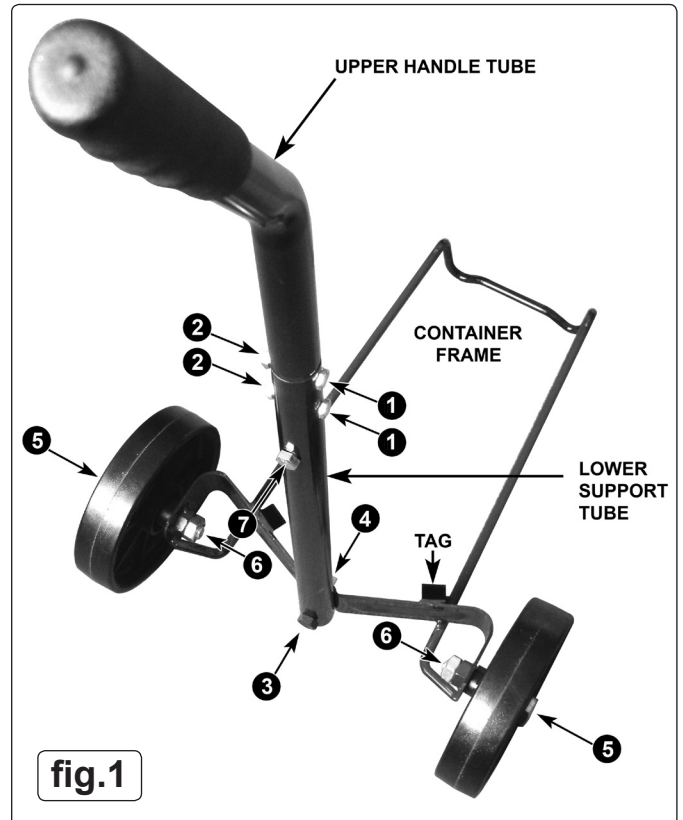


fig.1

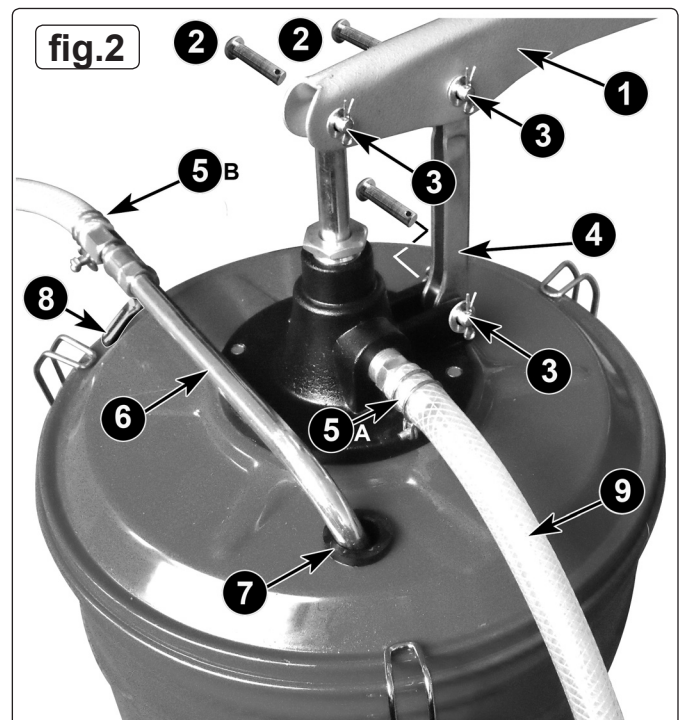


fig.2

3.3 Assembling the discharge hose.

- 3.3.1 Referring to fig.2, slide a wire hose clip over one end of the discharge hose (9) and push the hose onto the outlet on the casting in the centre of the lid. Slide the hose clip onto the fitting and tighten it to retain the hose. See (5A) in fig.2.
- 3.3.2 Slide the other hose clip over the other end of the discharge hose and push it onto the dispensing tube (6) adjacent to the valve. Retain the hose by tightening the wire clip. See (5B) in fig.2. The dispensing tube (6) is shown partially inserted into the stowage grommet (7). The tube can be fully inserted into the lid when not required.

3.4 Assembling the pumping handle.

- 3.4.1 Attach the handle (1) and link (4) to the lid and pump as shown in fig.2 using 3 pivot pins (2). Place a flat washer over each protruding pin and retain each pin with an 'R' clip. See 3 in fig.2.



4. OPERATION

4.1 Filling

- 4.1.1 Release the three clips which retain the lid and lift it off complete with the pump which is on the underside of the lid.
- 4.1.2 Fill the container two thirds full with oil. The maximum level should be about 2cm below the middle ridge within the container. Do not fill above this level as the oil may spill during transportation.

Note: Only use oils up to SAE 40 viscosity.

- 4.1.3 Replace the lid and rotate it so that the pumping handle is conveniently situated for operation. Fasten the lid down with the three clips. Close the valve on the dispensing tube.

4.2 Dispensing

- 4.2.1 Insert the dispensing tube into the gearbox to be filled. Open the valve on the dispensing tube.
- 4.2.2 Pump handle to dispense oil.
- 4.2.3 When the desired amount has been dispensed, close the valve and stow the dispensing tube in the hole in the lid.

Parts support is available for this product.

To obtain a parts list and diagram please log on to www.sealey.co.uk, email sales@sealey.co.uk or phone 01284 757500

NOTE: It is our policy to continually improve products and as such we reserve the right to alter data, specifications and component parts without prior notice.

IMPORTANT: No liability is accepted for incorrect use of this product.

WARRANTY: Guarantee is 12 months from purchase date, proof of which will be required for any claim.

INFORMATION: For a copy of our latest catalogue and promotions call us on 01284 757525 and leave your full name and address, including postcode.



Sole UK Distributor, Sealey Group,
Kempson Way, Suffolk Business Park,
Bury St. Edmunds, Suffolk,
IP32 7AR



01284 757500



www.sealey.co.uk



01284 703534



sales@sealey.co.uk