

Thank you for purchasing a Sealey product. Manufactured to a high standard this product will, if used according to these instructions and properly maintained, give you years of trouble free performance.

IMPORTANT: PLEASE READ THESE INSTRUCTIONS CAREFULLY. NOTE THE SAFE OPERATIONAL REQUIREMENTS, WARNINGS & CAUTIONS. USE THE PRODUCT CORRECTLY AND WITH CARE FOR THE PURPOSE FOR WHICH IT IS INTENDED. FAILURE TO DO SO MAY CAUSE DAMAGE AND/OR PERSONAL INJURY AND WILL INVALIDATE THE WARRANTY. PLEASE KEEP INSTRUCTIONS SAFE FOR FUTURE USE.

1. SAFETY INSTRUCTIONS

1.1 GENERAL SAFETY

- **WARNING!** Ensure Health & Safety, local authority, and general workshop practice regulations are adhered to when using this workbench.
- **WARNING!** Use workbench on level and solid ground, preferably concrete. Avoid tarmacadam since the workbench may sink into the surface.
- ✓ Locate workbench in a suitable working area.
- ✓ Keep the work area clean, uncluttered and ensure there is adequate lighting.
- ✓ Keep the workbench clean and tidy in accordance with good workshop practice.
- ✓ Keep children and unauthorised persons away from the working area.
- x **DO NOT** use the workbench for any purpose other than that for which it is designed.
- x **DO NOT** undertake work on the workbench without the workpiece being adequately secured. Use clamps or a vice (not included) to secure the workpiece. Available from your Sealey dealer.
- x **DO NOT** use the workbench out of doors.
- x **DO NOT** get the workbench wet or use in damp or wet locations or areas where there is condensation.
- x **DO NOT** clean the workbench with any solvents which may damage the work surface or the painted surfaces.

Note! The assembly of this product will require assistance.

2. INTRODUCTION AND SPECIFICATIONS

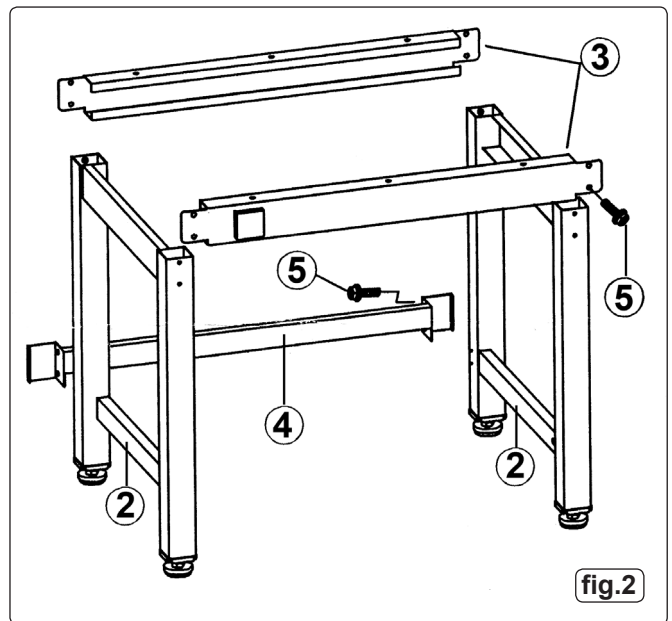
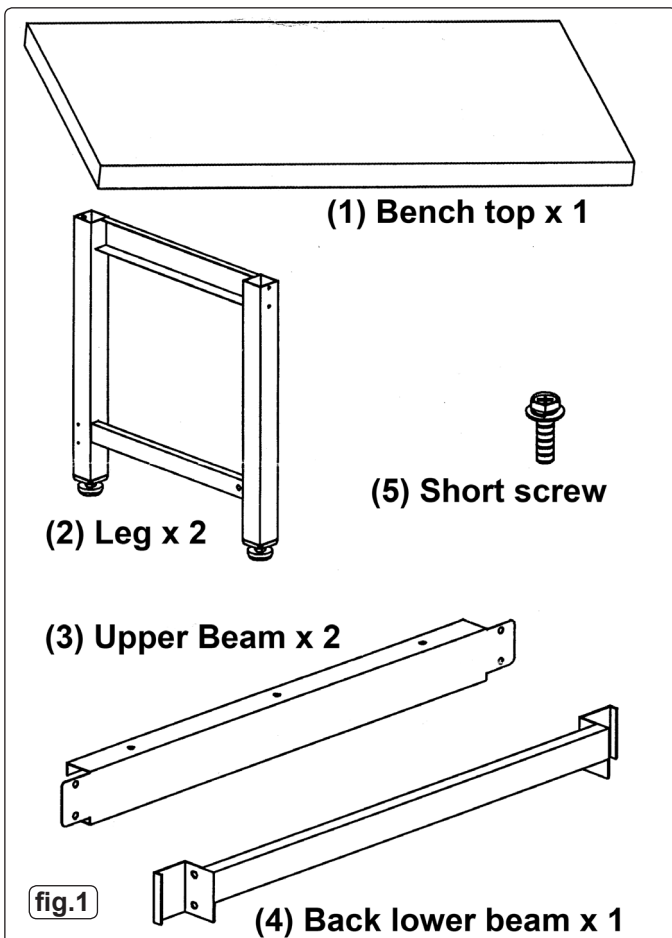
2.1 INTRODUCTION: Manufactured from heavy gauge steel, these benches are the top end of our range with a weight capacity of 1000kg (evenly distributed). Fitted with adjustable feet to ensure work surface is level even if your floor is not. 40mm thick laminate worktop is edged with double thick trim. Optional single or two drawer unit, vice support or back panels easily attach converting the workbench into a workstation.

2.2 SPECIFICATION:

Model No:	Width	Depth	Height
API1500	1500	750	850mm
API1800	1800	750	850mm
API2100	2100	750	850mm

3. WORKBENCH ASSEMBLY

3.1 See fig.2. Join the two leg frames (2) together using one of the upper beams (3) and four short screws (5). Ensure that the open sections on all components are facing inwards. Fix the second upper beam (3) in place using four short screws (5). Align the fixing holes in the lower beam with the holes in the two leg frames and fix in place using four short screws (5).

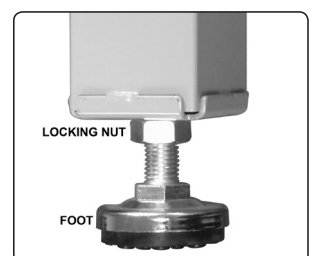


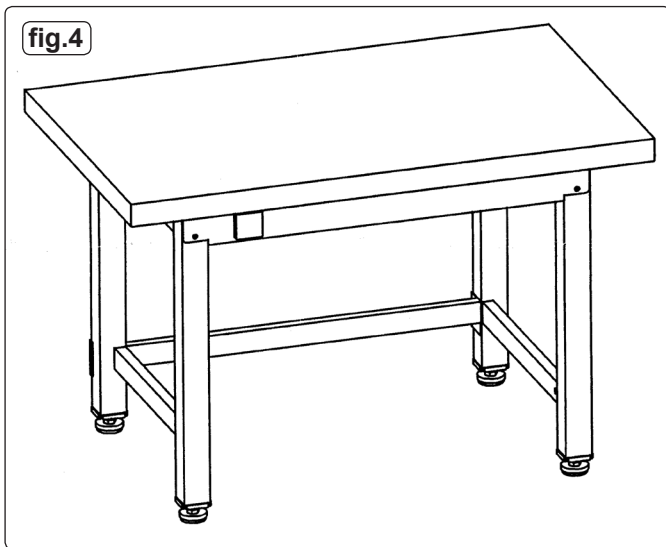
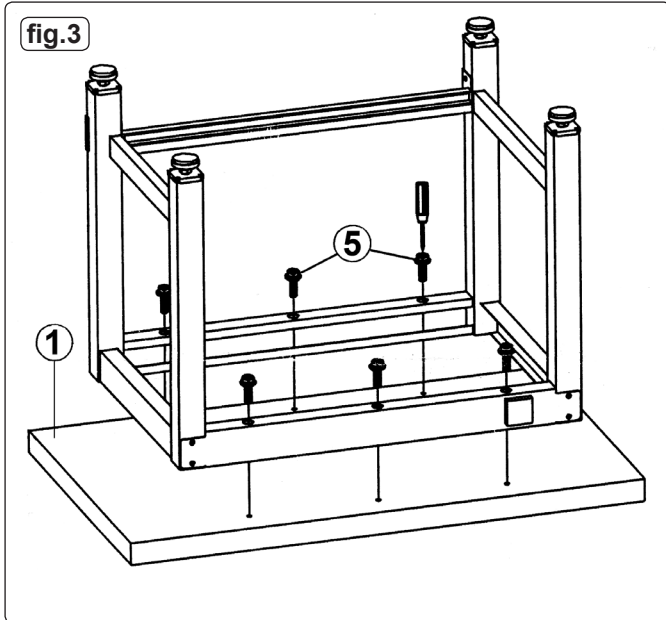
3.2 See fig.3. Lay the bench top (1) face down on a smooth clean surface. Invert the assembled frame and place it centrally onto the bench top. Align the holes in the upper beams with the holes in the underside of the bench top and fix the frame onto the bench top using six short screws (5).

3.3 Turn the assembled bench onto its feet as shown in fig.4.

3.4 Site the bench in the workplace observing the advice given in section 1.

3.5 Adjust the feet to compensate for uneven surfaces and lock each foot using the locking nut shown in the adjacent diagram.

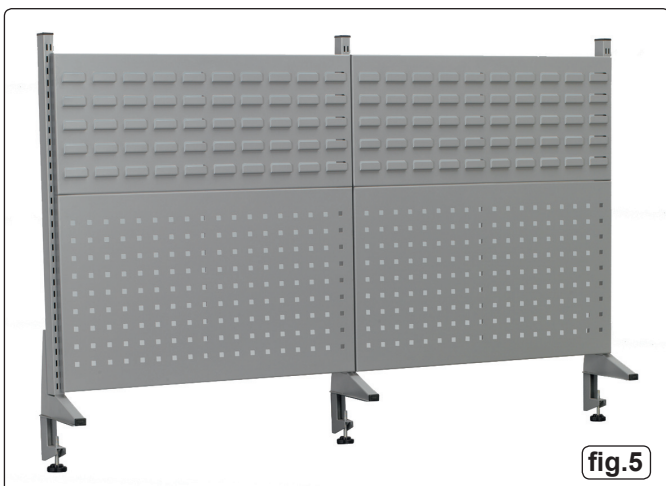




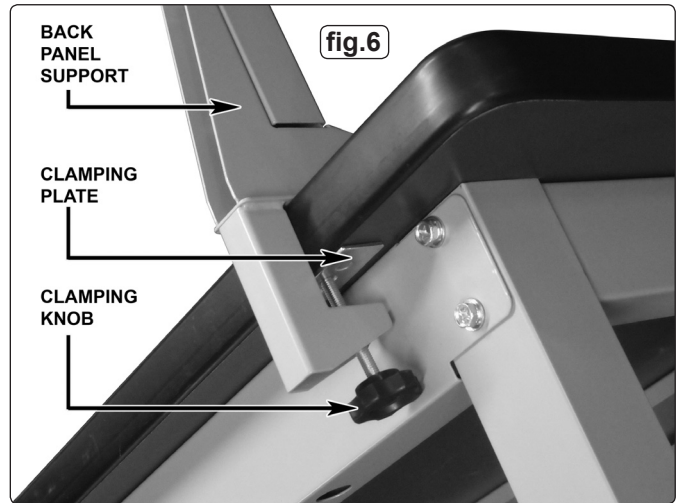
3. BACK PANEL ASSEMBLY

3.1 See fig.5. Back panel kits are available for all three sizes of bench and are an optional extra to be purchased separately.

- APIBP1500 Back panel assembly for API1500
- APIBP1800 Back panel assembly for API1800
- APIBP2100 Back panel assembly for API2100



Take the three back panel supports and clamp them to the back edge of the bench ensuring that a clamping plate is inserted between the clamping knob spindle and the underside of the bench top as shown in fig.6. Adjust the positions of the uprights until the tool panels can be slotted into position followed by the bin panels above them as shown in fig.5. On the outer uprights the back panels should occupy the inner line of slots leaving one row of slots visible.



4. SHELF ASSEMBLY

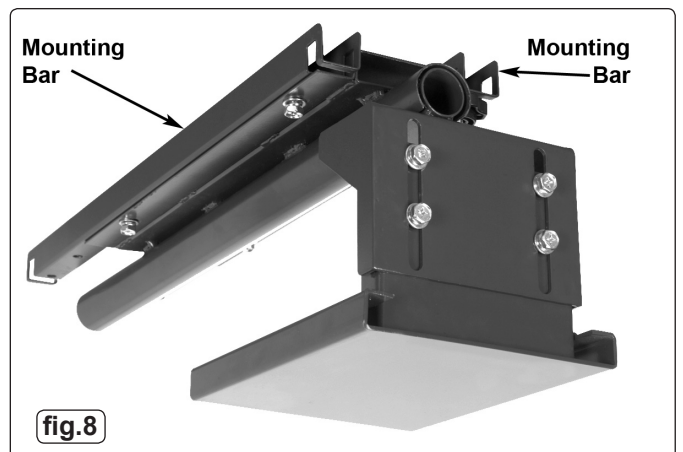
4.1 Three widths of shelf unit can be purchased as an optional extra to match the three back panel kits. The shelves hook into the outer uprights as shown in fig.7 and stand away from the panels slightly allowing them to be put at any height.

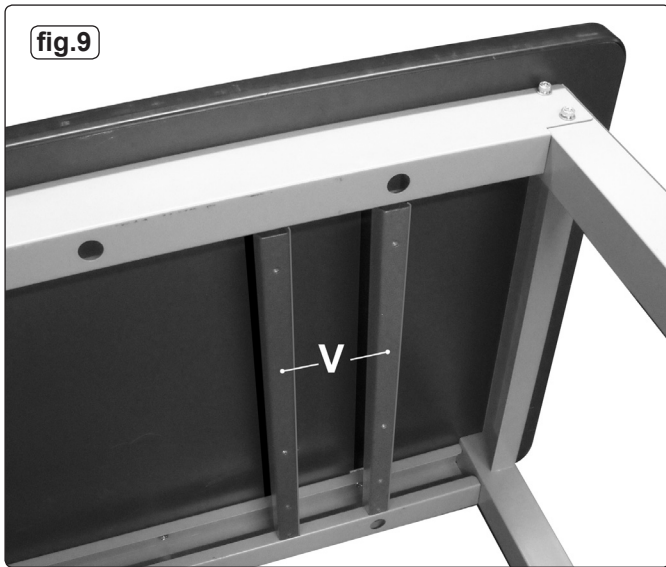
- API11 Shelf for APIBP1500
- API12 Shelf for APIBP1800
- API13 Shelf for APIBP2100



5. VICE MOUNTING CLAMP ASSEMBLY

- 5.1 A Vice Mounting Clamp API10 can be purchased as an optional extra to provide a base plate to which a vice can be mounted. The mounting clamp also allows the vice to be stored out of the way, below the bench, when a full free work surface is required.
- 5.2 Fig.8 below shows the clamp in the stowed away orientation. The mounting bars have to be removed from the clamp and positioned under the bench as shown in fig.9-V. Place each bar in a diagonal orientation under the bench top then turn it so that the ends are over the upper beams. Allow the slots in the ends of the mounting bars to rest over the upturned edges of the beams.

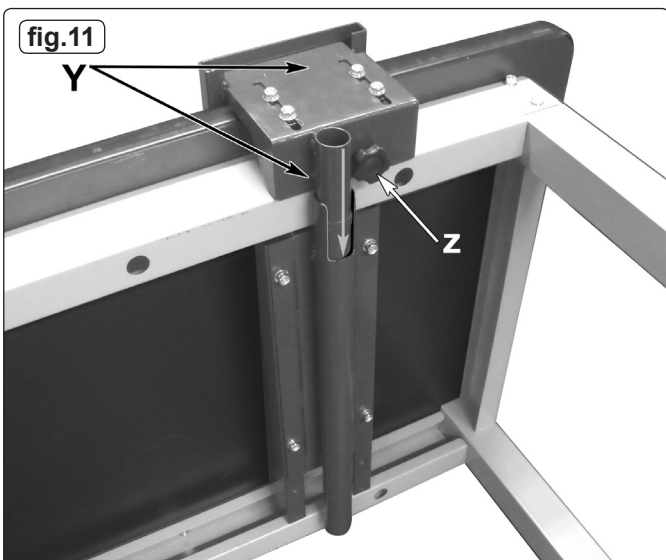




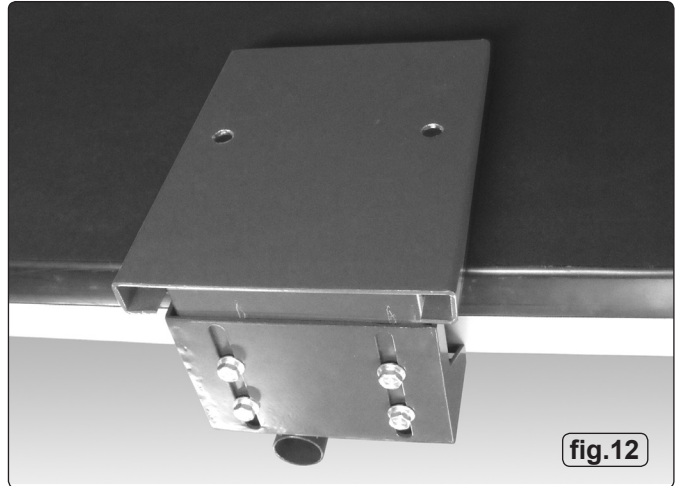
5.3 The main clamp is attached to a tube which is a sliding fit inside the main mounting tube. Withdraw the clamp from the mounting tube and fix the mounting tube to the two bars 'V', under the work top using four short bolts as shown in fig.10



5.4 Insert the clamp tube into the mounting tube as shown in fig.11-Y and rotate the clamp so that it is uppermost. Push the clamp tube into the mounting tube until the clamp comes up against the edge of the bench and laps over the top of it as shown in fig.12.

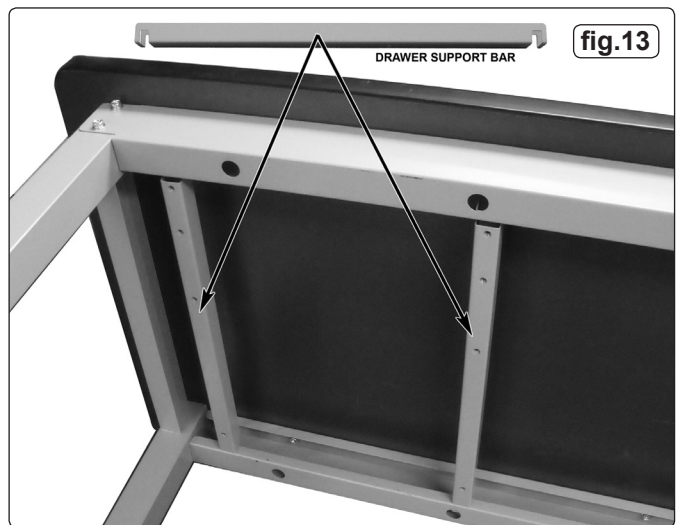


5.5 Loosen and remove the four bolts on the front of the clamp and lift the top plate away. Bolt the chosen vice to the top plate ensuring that the fixings are within the depth of the plate. Place the vice and plate back onto the top of the bench over the lower part of the clamp and bolt the two parts back together again. Tighten the clamping knob on the underside of the clamp assembly. See fig.11-Z.

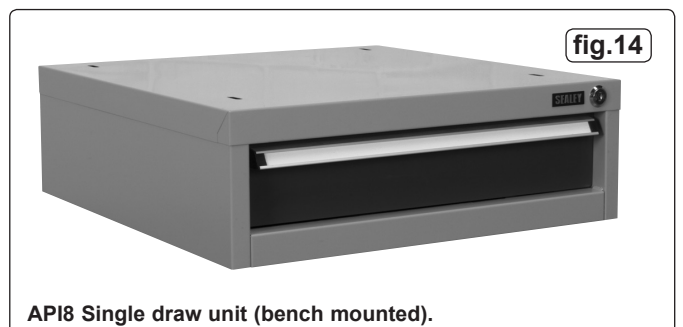


5.6 To stow the vice under the bench loosen the clamping knob on the underside of the clamp assembly. See fig.11-Z. Keeping a firm hold on the assembly pull the vice and top plate forwards until they are clear of the bench edge. Allow the assembly to slowly rotate through 180° until it is hanging downwards. Push the assembly under the front edge of the bench until it is in the orientation shown in fig.8.

6. DRAWER OPTIONS



6.1 Drawer units can be purchased as an optional extra. Single and double drawer units can be suspended from the underside of the bench using two draw support bars as shown in fig.13. Larger drawer units will be free standing under the bench. See overleaf for other drawer options.



API8 Single draw unit (bench mounted).



API9 double drawer unit (bench mounted).

See our website for full details and specification for these drawer units as well as the other optional extras found in this manual.

www.sealey.co.uk



(Free standing)

API5655A Five drawer unit



(Free standing)

API5655B Five drawer unit



(Free standing)

API5656 Six drawer unit



(Free standing)

API7238 Eight drawer unit

NOTE: It is our policy to continually improve products and as such we reserve the right to alter data, specifications and component parts without prior notice.

IMPORTANT: No liability is accepted for incorrect use of this product.

WARRANTY: Guarantee is 12 months from purchase date, proof of which will be required for any claim.

INFORMATION: For a copy of our latest catalogue and promotions call us on 01284 757525 and leave your full name and address, including postcode.



Sole UK Distributor, Sealey Group,
Kempson Way, Suffolk Business Park,
Bury St. Edmunds, Suffolk,
IP32 7AR

01284 757500

01284 703534

www.sealey.co.uk

sales@sealey.co.uk