

Thank you for purchasing a Sealey product. Manufactured to a high standard this product will, if used according to these instructions and properly maintained, give you years of trouble free performance.



IMPORTANT: PLEASE READ THESE INSTRUCTIONS CAREFULLY. NOTE THE SAFE OPERATIONAL REQUIREMENTS, WARNINGS & CAUTIONS. USE THE PRODUCT CORRECTLY AND WITH CARE FOR THE PURPOSE FOR WHICH IT IS INTENDED. FAILURE TO DO SO MAY CAUSE DAMAGE AND/OR PERSONAL INJURY AND WILL INVALIDATE THE WARRANTY. PLEASE KEEP INSTRUCTIONS SAFE FOR FUTURE USE.

1. SAFETY INSTRUCTIONS

- WARNING!** Ensure all preliminary checks are carefully carried out before using the cradle and trolley jack.
- ✓ Immediately repair or replace damaged or missing parts (use an authorised service agent).
- ✓ Ensure use of genuine parts only. Unauthorised parts may be dangerous and will invalidate the warranty.
- WARNING!** Follow **all** of the safety instructions issued with the trolley jack.
- x **DO NOT** exceed the rated capacity of the cradle or jack, whichever is the lower, see section 2.
- WARNING!** Ensure load is placed level and centrally on cradle and is fixed in place before attempting to lift, lower, or transport.
- ✓ Always use support chain supplied to stabilise and secure the load to the cradle.
- x **DO NOT** substitute an inferior form of restraint for the support chain.
- ✓ Care should be taken when using the cradle and trolley jack in conjunction with a vehicle lift, to ensure that the vehicle is not lowered whilst the jack is in position underneath the vehicle.
- x **DO NOT** move the jack, with or without a load, with the cradle in the raised position.
- x **DO NOT** use the cradle for any purpose other than for vehicle transmissions.
- x **DANGER! DO NOT** use on tarmac, or any other soft surface, as the jack may sink or topple. Serious personal or fatal injury may result.
- ✓ Keep all unauthorised persons away from the area during lifting and lowering and when in transit.
- ✓ Maintain correct balance and footing. Ensure the floor is not slippery and wear non-slip shoes.
- ✓ Remove ill fitting clothing. Remove ties, watches, rings, and other loose jewellery, and contain and/or tie back long hair.
- ✓ Ensure the jack is fully lowered and is clean, dry, and oil free before attempting to transport the jack with or without a load.
- ✓ Diligence is required in ensuring that the operation is continually monitored until completed.
- x **DO NOT** allow untrained persons to operate the jack.
- x **DO NOT** transport the jack, with or without a load, with the saddle in the raised position.
- x **DO NOT** operate the jack when you are tired, under the influence of alcohol, drugs or intoxicating medication.
- ✓ Before storing, ensure cradle is clean and free of grease and oil. Store in a safe, dry, childproof location.

2. INTRODUCTION

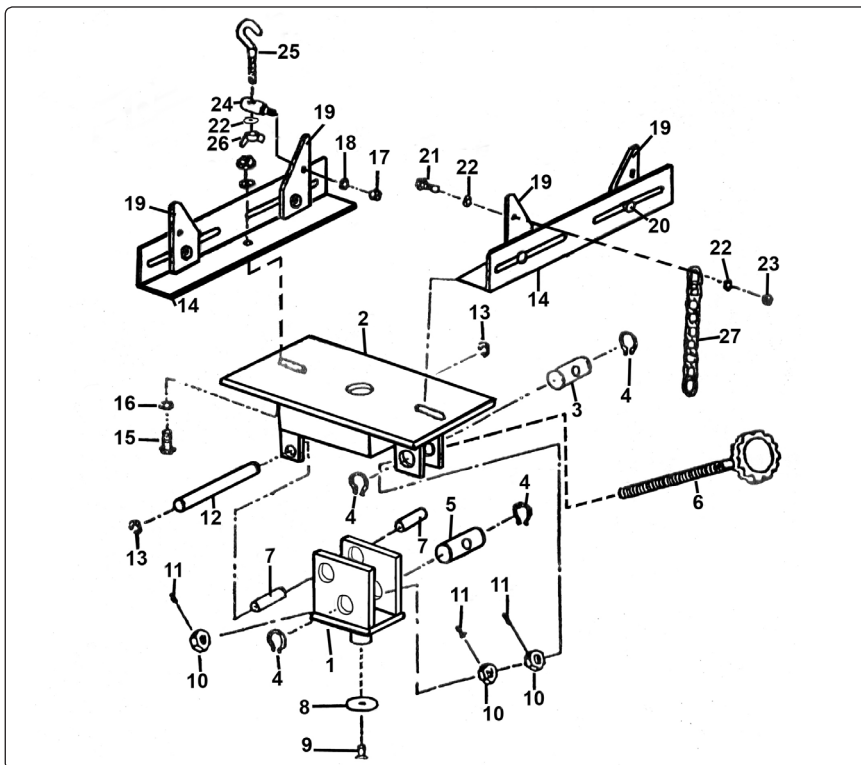
Fully adjustable cradle with forward, backward and side to side tilt. Suitable for use with 3000CXD, 3003CXQ, 3030CXD and 3080CX trolley jacks. Capacity of cradle 200kg.

Note: When using this cradle, the maximum capacity of the jack and saddle combination will be limited to the lowest specified capacity in the combination e.g. 3000CXD and ADT200 - maximum capacity will be 200kg.



3. MOUNTING / ASSEMBLY

Item	Description
1	Saddle Base
2	Saddle Plate
3	Shaft
4	Circlip
5	Shaft
6	Screw Rod
7	Collar
8	Washer
9	Nut
10	Nut
11	Grub Screw
12	Pivot Shaft
13	Circlip
14	Angle Brackets
15	Bolt
16	Washer
17	Nut
18	Washer
19	Angle Plate
20	Bolt
21	Bolt
22	Washer
23	Nut
24	Hook Pin
25	Hook
26	Wing nut
27	Chain



- WARNING!** Failure to assemble the cradle correctly may result in serious damage and/or personal injury. Unpack the product and check contents against the parts listed. Should there be any damaged or missing parts contact your supplier immediately.

Note: Items (2, 3, 4, 6, 10, 11) and (1, 5, 4) are pre-assembled.

- 3.1. Remove one nut (10) from screw rod (6), and thread screw rod (6) through shaft (5), re-fit nut (10). Position saddle base (1) underneath saddle plate (2) and thread pivot shaft (12) through from one side ensuring a collar (7) is inserted either side of the saddle base (1) and inside of the saddle plate brackets. Secure with a circlip (13) at each end of pivot shaft (12). The three nuts (10) should be positioned near the end of the screw rod (6) closely fitted either side of the shaft (5) and locked onto the screw rod (6) by tightening the grub screws (11).
- 3.2. Attach angle brackets (14) to the saddle plate (2) with long bolts (15), washers (16) and nuts (17).
- 3.3. Attach angle plates (19) to angle brackets (14), using bolts (20), washers (18) and nuts (17).
- 3.4. Attach chain (27) to one angle plate (19) with bolt (21), washer (22) and nut (23).
- 3.5. Attach hook pin (24) to one angle plate (19) with washer (18) and nut (17).
- 3.6. Attach hook (25) to the hook pin (24) with washer (22) and wing nut (26).

4. OPERATION

- 4.1. With the jack fully lowered, remove existing fixed saddle from jack and fit the ADT200 in it's place. Secure it with nut (9) and washer (8).
- 4.2. Adjust the pitch and tilt of the saddle to assist in safely supporting and transporting the transmission unit. The cradle may be tilted forwards, backwards and from side to side, by operating the screw rod (6) and/or by turning the cradle on the jack saddle.
- 4.3. Always position angle brackets (14) and angle plates (19) to best support and locate the transmission, ensure all nuts and bolts are retightened. Before moving jack and transmission, ensure that restraint chain is in place and tensioned.
- 4.4. Periodically lubricate the cradle pivot points and the adjusting bolts.

NOTE: It is our policy to continually improve products and as such we reserve the right to alter data, specifications and component parts without prior notice.

IMPORTANT: No liability is accepted for incorrect use of this product.

WARRANTY: Guarantee is 12 months from purchase date, proof of which will be required for any claim.

INFORMATION: For a copy of our latest catalogue and promotions call us on 01284 757525 and leave your full name and address, including postcode.



Sole UK Distributor, Sealey Group,
Kempson Way, Suffolk Business
Park, Bury St. Edmunds, Suffolk,
IP32 7AR

01284 757500

01284 703534

www.sealey.co.uk

sales@sealey.co.uk